

D2xB1X10 Haz Loc Xenon Strobe 10J Warning Light

The D2xB1X10 features a high output 228.8cd, 10 Joule Xenon strobe warning light / beacon. Globally approved, the robust Type 4/4X, IP66 enclosure ensures suitability for all haz loc fire alarm and general signalling applications.

The corrosion proof, marine grade aluminium die cast enclosure is chromated and powder coated providing resilience in the harshest of hazardous location environments. One device, globally certified: ATEX, IECEx Zone 2 & 22; NEC/CEC CI D2 and CII D2; NEC CI Zone 2 and Zone 22; CEC Zone 2 & 22 and CII D2. UL, cUL & ULC approved 24Vdc version is UL1638, CAN/ULC-S526 compliant for private mode fire alarm use.

Features

- UL1638 & CAN-ULC-S526 Private mode fire
- UL1638 General signaling
- Automatic synchronisation on multi-beacon systems
- Xenon tube mechanically secured against vibration & shock
- Duplicate, pluggable cable terminations, supervisory diode
- Marine grade aluminium enclosure
- Ingress protection Type 4/4X/3R/13, IP66
- High impact resistant Borosilicate glass lens
- Stainless steel lens guard as standard
- Field replaceable lens colour filter
- Surface mounting via user installed lugs
- Pendant mounting via 3/4"NPT conduit entry
- Dual 1/2"NPT and M20 cable entries
- Supplied with haz loc rated stopping plugs/adaptors

Approvals

- UL/cUL File ref: E245313
- IECEx certificate: IECEx ULD 14.0004X
- ATEX certificate: DEMKO 14 ATEX 4786493904X
- CSFM listing: 7300-2279:0500
- Ex EAC certified: EAC RU C GB.AA71.B.00273/20

Coding

- NEC / CEC:
 - Class I Div 2 ABCD T1 Ta -40°C to +50°C (T2: +45°C):
 - Class II Div 2 FG T4A Ta -40°C to +50°C
 - Class II Div 2 FG T5 Ta -40°C to +45°C
 - Class III Div 1 & 2 Ta -40°C to +50°C
 - NEC:
 - Class I Zone 2 AEx ec IIC T1 Gc Ta -40°C to +50°C
 - Zone 22 AEx tc IIIC T105°C Dc Ta -40°C to +50°C
 - CEC:
 - Class I Zone 2 Ex ec IIC T1 Gc X Ta -40°C to +50°C
 - Zone 22 Ex tc IIIC T105°C Dc Ta -40°C to +50°C
 - IECEx & ATEX:
 - II 3G Ex ec IIC T1 Gc Ta -40°C to +50°C
 - II 3D Ex tc IIIC T105°C Dc Ta -40°C to +50°C
- See product manual for full voltage specific coding.



Specification

Energy:	10 Joules (10Ws)
Flash rate:	1Hz (60 fpm)
Effective Intensity cd:	53.4 cd UL1638 Private mode fire
Effective Intensity cd:	288.8 cd - measured ref. to I.E.S.
Peak Candela:	101,784 cd - measured ref. to I.E.S.
Effective Intensity cd:	500 cd - calculated from energy (J)
Peak Candela:	1,000,000 cd - calculated from energy (J)
Lens colors:	Amber, Blue, Clear, Green, Magenta, Red & Yellow
Voltages DC:	24Vdc; 48Vdc
Voltages AC:	115Vac; 230Vac
Ingress protection:	IP rating per EN60529:IP66 Type rating per UL50E/NEMA250:4/4X/3R/13
Enclosure material:	Marine grade LM6 aluminum alloy
Enclosure color:	Red or Grey, custom colours available on request
Lens material:	Borosilicate glass dome with PC prismatic lens cover
Guard:	Stainless Steel dome guard as standard
Cable entries:	2 x M20x1.5, 2 x 1/2"NPT, 1 x 3/4"NPT
Stopping plugs:	Nickel Plated Brass plugs included Optional Stainless Steel
Ground/Earth stud:	M5
Terminals:	0.5 - 2.5mm ² (20-14 AWG)
Line monitoring:	Blocking diode included EOL can be factory fitted
Operating temp:	-40 to +50°C [-40° to +122°F]
Storage temp:	-40 to +70°C [-40° to +158°F]
Relative humidity:	95%
Weight:	DC: 1.5kg/3.31lbs AC:1.75kg/3.86lbs

* All candela data is representative of performance with clear lens at optimum voltage.

Part Codes

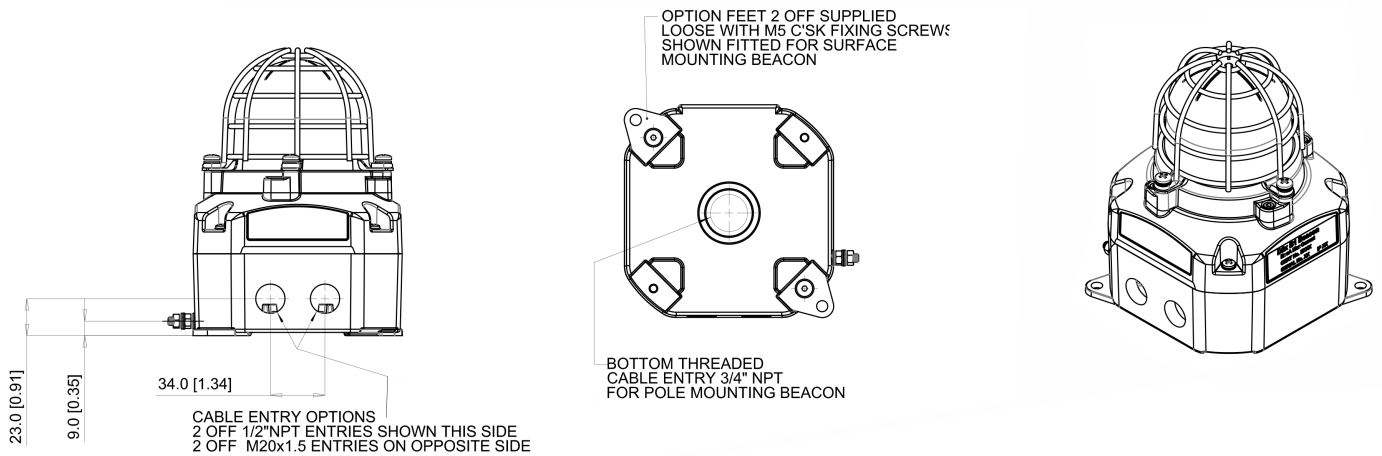
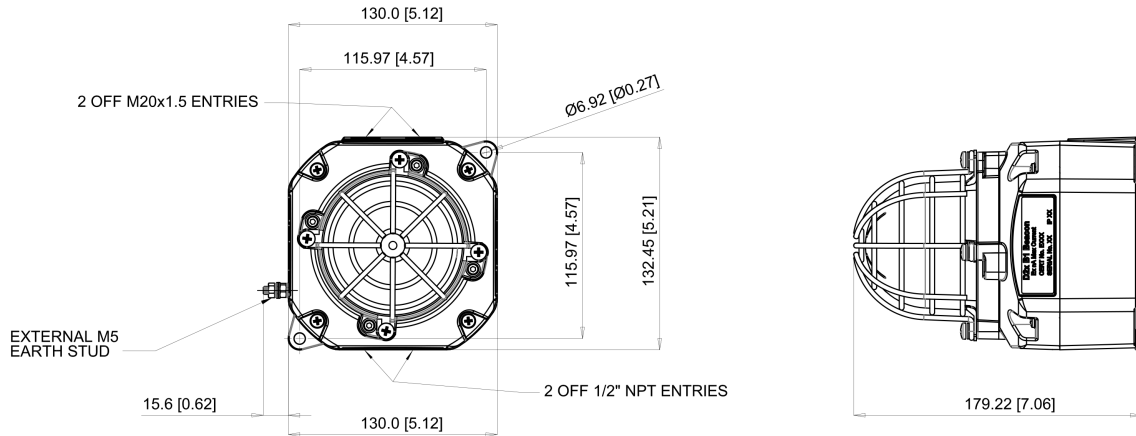
Part Code:	Identifier:	Description:
Product type:	D2xB1X10	10 Joule Xenon Strobe warning light / beacon
Voltage:	AC115 AC230 DC024 DC048	115-120V ac 50/60Hz 220-230V ac 50/60Hz 24V dc 48V dc
Cable entries: [e]	M	2 x 1/2" NPT 2 x M20x1.5 1 x 3/4" NPT
Stopping plug material: [m]	N S	Nickel plated brass Stainless Steel
Guard material & tag: [s]	1 3 5	A4 316 Stainless Steel A4 316 St/St with Equip. Tag A4 316 St/St with Equip. Tag & Duty Label
Product version: [v]	A	UL, cUL, ULC, IECEx, ATEX, CSFM, Ex EAC
Product option: [o]	1 T X	Standard product Tropicalisation Custom configuration
Enclosure color: [x]	R G S	Red Grey Special color
Lens color: [y]	A B C G M R Y	Amber Blue Clear Green Magenta Red Yellow

Accessories:

SP65-0001-A4	Pole Mount Bracket Kit St/St A4 (316)
SP65-0003-A4	Sunshade - St/St A4 (316)

Current Consumption

Nominal Voltage:	Voltage range:	Nominal operating current:
24V dc	20-28V dc	609mA (In-rush: 828mA <4.4ms)
48V dc	48V dc	260mA
115V ac	115-120Vac 50/60Hz	185mA
230V ac	220-230Vac 50/60Hz	107mA



Assemblies

The D2xB1X10 is available as an assembly configured with an optional D2xS1 type alarm horn sounder and additional D2x type Xenon strobe or LED beacons with or without a D2xJ1 junction box. Contact The Signal Source for further information.



The Signal Source sales@thesignalsource.com www.thesignalsource.com

No liability is accepted for any consequence of the use of this document. The technical specification of this unit is subject to change without notice due to our policy of continual product development. All dimensions are approximate. This unit is sold subject to our standard conditions of sale, a copy of which is available on request.