

D1xL2F 123dB(A) 25W Explosion Proof Speaker

The D1xL2F is a 25W PA loudspeaker with re-entrant flare horn. A high SPL in a robust Type 4/4X, IP66 marine grade, corrosion proof aluminium enclosure ensures suitability for all Class I & II Div 1 & Zone 1, 20 and 21 explosion proof applications.

The re-entrant flare horn is high impact, fire retardant thermoplastic and is field replaceable – the driver employs a standard 1 3/8" -18 male thread coupling. All models have triple cable entries and duplicated terminals.

The large termination chamber and cover feature a threaded flameproof joint simplifying both installation and routine maintenance.

Features

- Multiple transformer tapings
- Ratchet adjustable 316 stainless steel bracket
- Triple cable entries, duplicated cable terminations
- Robust marine grade aluminium enclosure
- UL 1480 Speakers for Fire Alarm and Signaling Systems,
- CAN/ULC-S541 Speakers for Fire Alarm and Signaling Systems

Approvals

- UL/cUL File ref: E230764
- IECEx Certificate: IECEx ULD 19.0008X
- ATEX Certificate: DEMKO 19 ATEX 2141X
- CSFM listing: 7136-2279:0504
- UKCA certificate: UL21UKEX2132X

Coding

- NEC Class Div
Class I Div 1 Group ABCD T5 Ta -55°C to +85°C (T6 +60°C)
 - CEC Class Div
Class I Div 1 Group ABCD T5 Ta -55°C to +75°C (T6 +60°C)
 - NEC Class Zone
Class I Zone 1 AEx db IIC T4 Gb Ta -55°C to +75°C (T5 +70°C)
Zone 21 AEx tb IIIC T91°C Db Ta -55°C to +75°C
 - CEC Class Zone
Ex db IIC T4 Gb Ta -55°C to +75°C (T5 +70°C)
Ex tb IIIC T91°C Db Ta -55°C to +75°C
 - IECEx / ATEX
II 2G Ex db IIC T4 Gb Ta -55°C to +75°C (T5 +70°C, T6 +55°C)
II 2D Ex db IIIC T98°C Db Ta -55°C to +75°C
 - Product version: D
 - NEC & CEC Class Div
Class II Div 1 Group FG T6 Ta -40°C to +70°C
Class III Div 1 Ta -40°C to +70°C
Zone 20 IIIB T6 Ta -40°C to +70°C
 - NEC Class Zone (R008 & R016 only)
Zone 21 AEx tb IIIC T95°C Db Ta -55°C to +75°C
 - CEC Class Zone (R008 & R016 only)
Ex tb IIIC T95°C Db Ta -55°C to +75°C
- See product manual for full product specific coding.



Specification

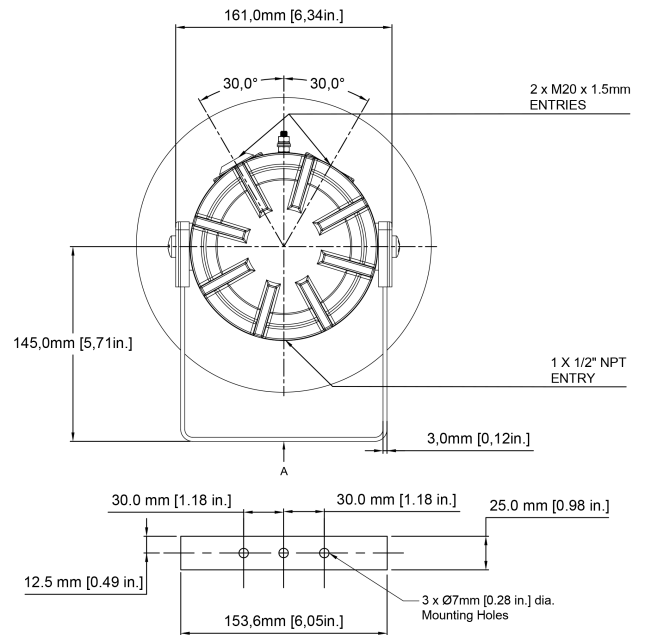
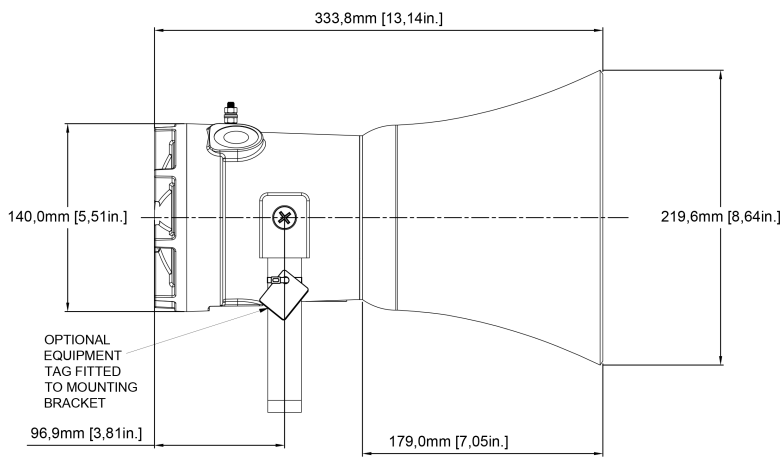
Product version A SPL:	104dB +/-3dB @ 1W @ 1m (Pink) 119dB +/-3dB @ 25W @ 1m (Rated) 123dB(A) @ 1 m at 1.3KHz (Max)
Product version D SPL:	89dB +/-3dB @ 1W @ 1m (Pink) 98dB +/-3dB @ 25W @ 1m (Rated) 108dB(A) @ 1 m at 1.3KHz (Max)
Rated power:	25 Watts RMS
25/70v line tappings:	25W/12.5W/6W/2W/1W tappings 25V: z=196/392/816.67/1.225K/2.45K/4.9K Ohm 70V: z=25/50/104.17/156.25K/312.5K/625 Ohm
70v line tappings:	25W/12.5W/6W/2W tappings z=196 Ohms/392 Ohms/816.67 Ohms/2.45K Ohms
100v line tappings:	25W/12.5W/6W/2W tappings z=400 Ohms/800 Ohms/ 1.67K Ohms/5K Ohms
Low impedance:	8 Ohm or 16 Ohm
Q Factor:	3.1 @ 500Hz, 2.8 @ 1KHz, 6.4 @ 2KHz, 13.2 @ 4KHz, 13.8 @ 8KHz
Directivity Index:	4.9 @ 500Hz, 4.5 @ 1KHz, 8.1 @ 2KHz, 11.2 @ 4KHz, 11.4 @ 8KHz
Frequency range:	400Hz to 8000 Hz
DC Line monitoring:	2.2µF Capacitor (Transformer) 470µF Capacitor (Low impedance)
Ingress protection:	EN60529: IP66/67 UL50E / NEMA250: 4/4X/3R/13
Enclosure material:	Marine grade LM6 aluminium alloy
Enclosure color:	Red or Grey, custom colours available on request
Enclosure finish:	Chromate & powder coated finish
Cable entries:	1 × 1/2"NPT & 2 x M20 Thread adaptors available
Stopping plugs:	Brass, Nickel Plated or Stainless Steel
Terminals:	0.5-2.5mm ² (20-14 AWG) Duplicated terminals
Grounding stud:	M5
Enclosure volume:	<2 litres
Product version A Installation temp:	NEC: -55° to +85°C [-67° to +185°F] CEC/IECEX/ATEX: -55° to +75°C [-67° to +167°F]
Product version D Installation temp:	NEC Class Div: -40° to +70°C [-40° to +158°F] NEC Class Zone, CEC Class Div/Zone: -55° to +75°C [-67° to +167°F]
Storage temp:	-55° to +85°C [-67° to +185°F]
Relative humidity:	95% - Additional tropicalisation is recommended for applications where both high relative humidity and high ambient temperatures exist
MTBF V100/V070/V725:	630.69 years / 5,524,861 hours - MIL 217
MTBF R008/R016:	830.22 years / 7,272,727 hours - MIL 217
Weight:	100V, 70V, 25/70V line: 4.5kg/9.9lbs Low imp.: 4.2kg/9.1lbs

Part Codes

Part Code:	Identifier:	Description:
Product type:	D1xL2	D1xL2 25W Loudspeaker
Horn type:	F	Flare re-entrant horn
Type:	V100 V070 V725 R008 R016	100V Line Transformer 70V Line Transformer 25V/70V Line Transformer 8 Ohm Low impedance 16 Ohm Low impedance
Cable entries:[e]	A B C D F G Note:	2 x M20x1.5mm & 1 × 1/2"NPT 2 × 1/2"NPT - adaptors 2 × 3/4"NPT - adaptors 2 x M25x1.5mm - adaptors 1 × 3/4"NPT - adaptor 1 x M25x1.5mm - adaptor All entries, excluding thread adaptors, supplied with stopping plugs installed.
Stopping plug/ adaptor material: [m]	B N S	Brass Nickel plated brass Stainless steel
Bracket material: [s]	1 3	A4 316 Stainless Steel A4 316 St/St with Equip. Tag
Product version: [v]	A D	UL, cUL, IECEX, ATEX, CSFM Class II - UL, cUL (excluding 100V & 25V/70V)
Product option: [o]	1 X	Standard product Custom configuration
Enclosure color: [x]	R G S	Red Grey Special color

Accessories:

SP65-0001-A4	Pole Mount Bracket Kit St/St A4 (316)
SP65-0003-A4	Sunshade - St/St A4 (316)



SCRAP VIEW IN DIRECTION 'A'