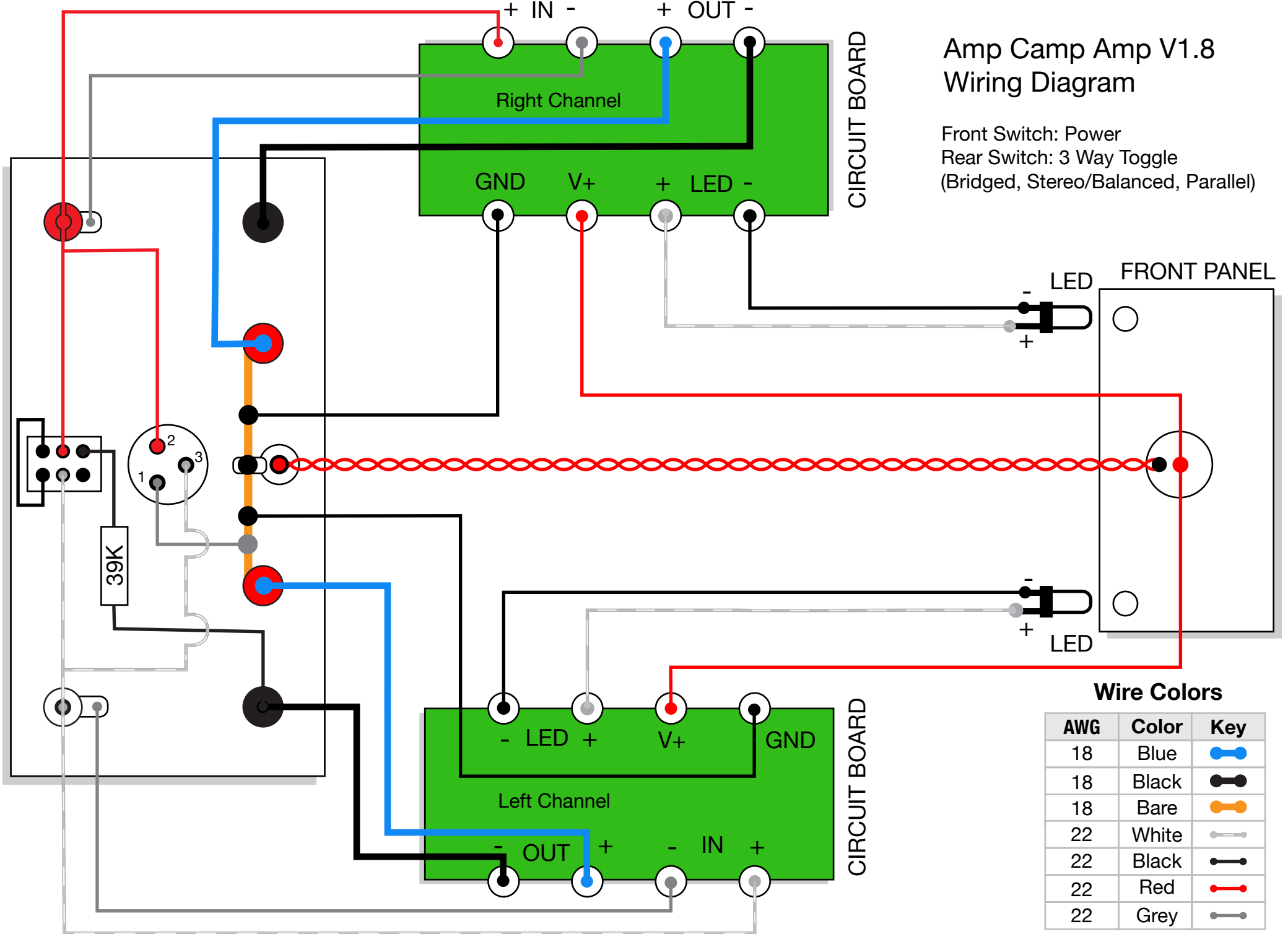


Amp Camp Amp V1.8 Wiring Diagram

Front Switch: Power
Rear Switch: 3 Way Toggle
(Bridged, Stereo/Balanced, Parallel)



Wire Colors

AWG	Color	Key
18	Blue	
18	Black	
18	Bare	
22	White	
22	Black	
22	Red	
22	Grey	