


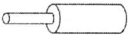



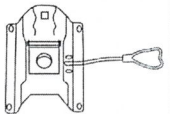

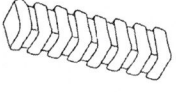
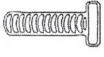
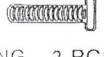
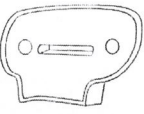
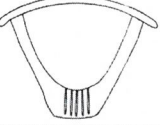


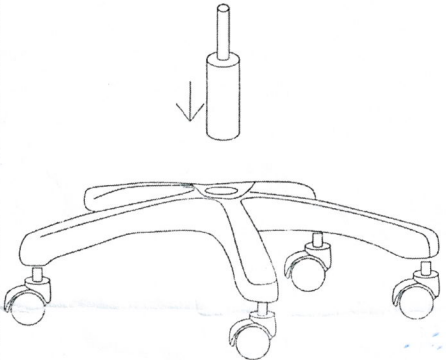
Instruction Manual

S05

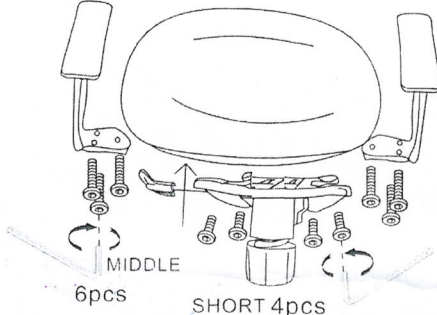
parts list

A BACK 1PC 	B SEAT 1PC 	C LEG 1PC 	D GASLIFT 1PC 	E WHEELS 5PCS 	F BACK STAYS 1PC 	TOOL  Allen key
G MECHANISM 1PC 	H FLOWER 1PC 	I CASING 1PC 	J SCREW  a SHORT 4 PCS MIDDLE 6PCS	K SCREW  b LONG 2 PCS spare +1PC	L COVER 1PC 	M ARMREST 2PCS 

1 Pressing the wheels into the leg. put the gaslift.

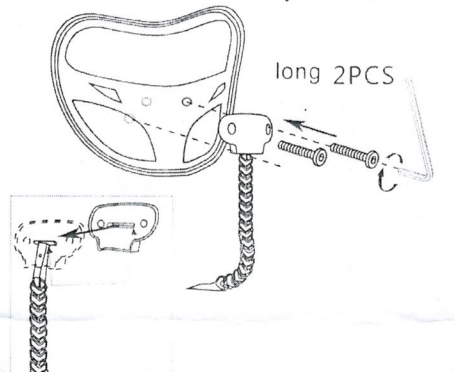


2 Use 6pcs long screw connect armrests to the seat. Use 4pcs short screw install the mechanism on the seat.



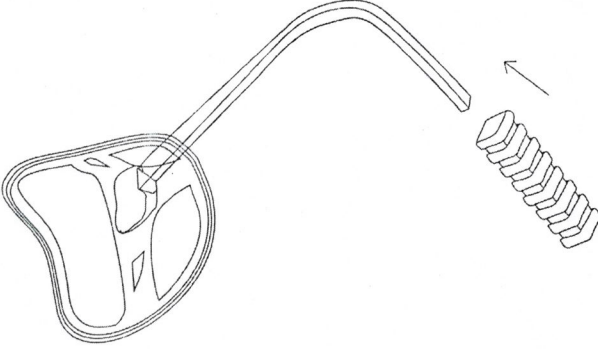
MIDDLE 6pcs
SHORT 4pcs

3 Aim the back cover transverse rod. Use 2pcs long screw connect back to the back stays.

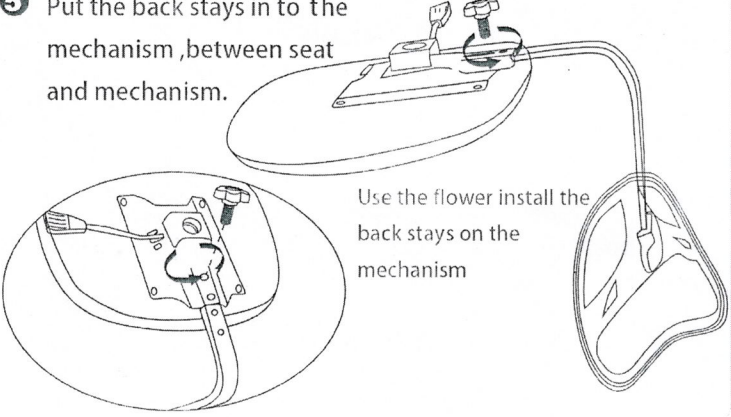


long 2PCS

4 Put the back stays in to the casing

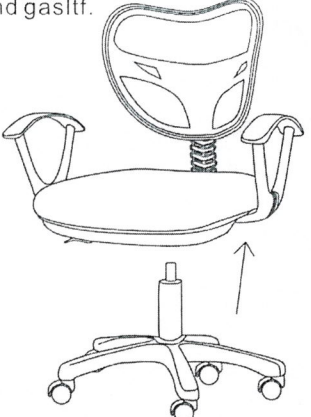


5 Put the back stays in to the mechanism, between seat and mechanism.



Use the flower install the back stays on the mechanism

6 Connect the seat and gaslift. put gaslift into the mechanism hole.



7 finish

