

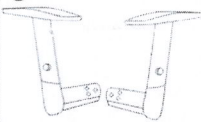

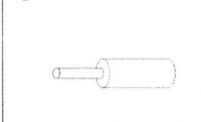




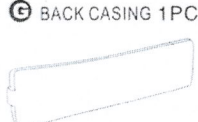
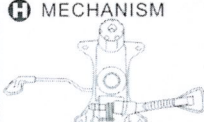

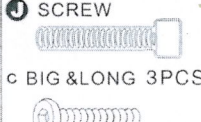




Instruction Manual

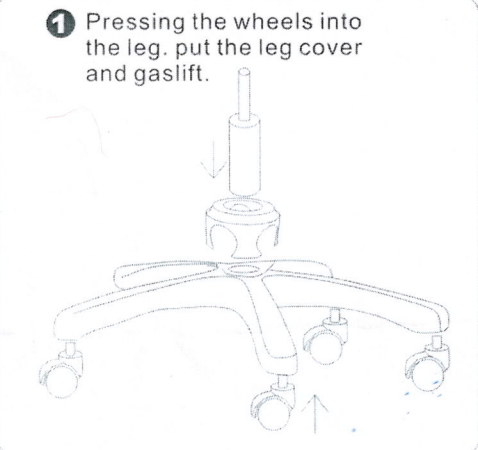
D42

parts list


A BACK 1PC 	B SEAT 1PC 	C ARMREST 2PCS 	D LEG 1PC 	E GASLIFT 1PC 	F WHEELS 5PCS 	TOOL  Allen key SMALLX1   BIGX1
G BACK CASING 1PC 	H MECHANISM 1PC 	I SCREW a SHORT 4 PCS b CROSS 2PCS 	J SCREW c BIG & LONG 3PCS d LONG 6PCS +1PC 	K HEADREST 1PC 	M LEG COVER 1PC 	

Installation steps

1 Pressing the wheels into the leg. put the leg cover and gaslift.

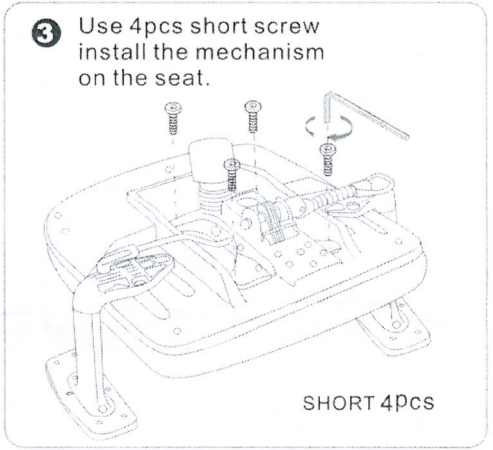


2 Use 6pcs long screw connect armrests to the seat.



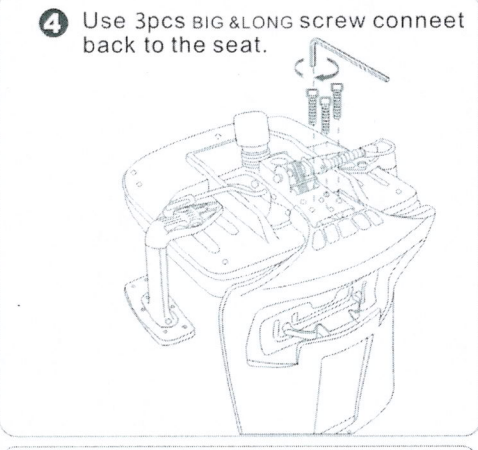
LONG 6pcs

3 Use 4pcs short screw install the mechanism on the seat.




SHORT 4pcs


4 Use 3pcs BIG & LONG screw connect back to the seat.



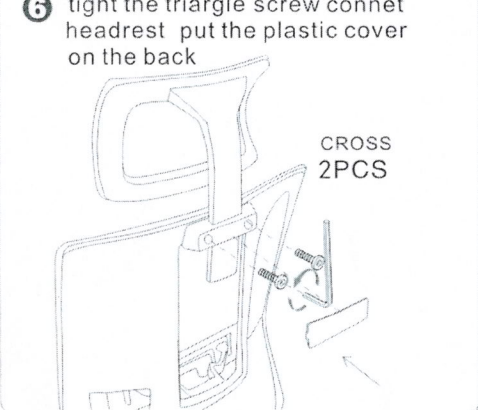
5 Connect the seat and gaslift. put gaslift into the mechanism hole.



7 finish

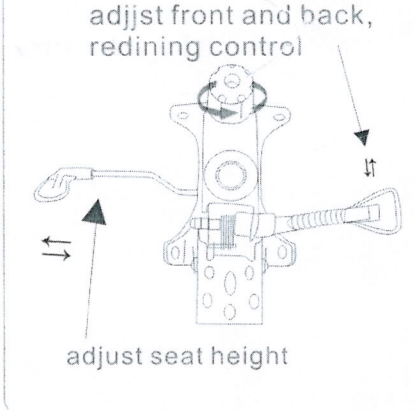


6 tight the triangle screw connect headrest put the plastic cover on the back



CROSS 2PCS

adjst front and back, redining control



adjust seat height