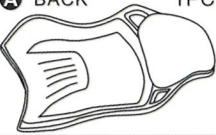
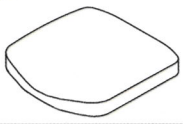
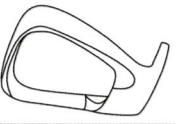



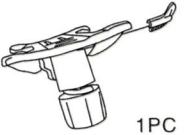







Instruction Manual

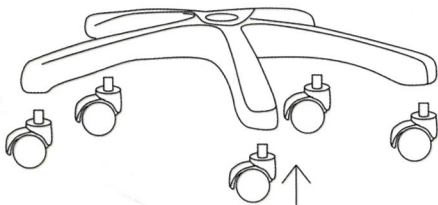
D38

parts list

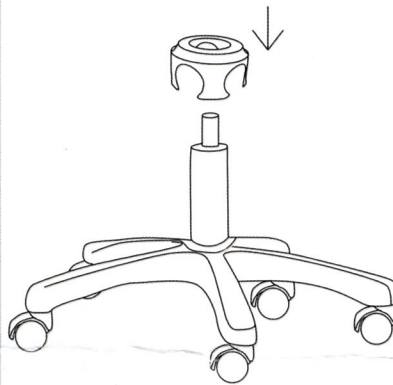
A BACK 1PC 	B SEAT 1PC 	C ARMREST 2PCS 	D LEG 1PC 	E GASLIFT 1PC 	F WHEELS 5PCS 
G MECHANISM 1PC 	H LEG COVER 1PC 	I SCREW LONG 6 PCS spare +1PC 	J SCREW MIDDLE 4 PCS +1PC 	K SCREW SHORT 4 PCS 	TOOL  Allen key

Installation steps

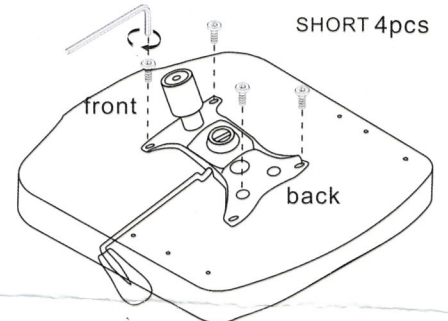
1 Pressing the wheels into the leg.



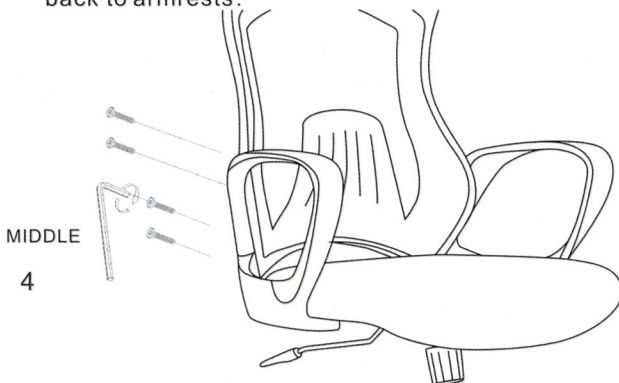
2 Put the leg cover and gaslift.



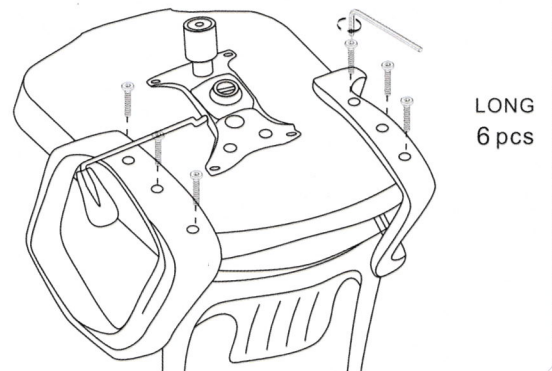
3 Use 4pcs short screw install the mechanism on the seat.



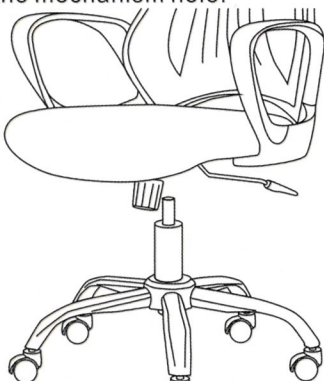
4 Use 4pcs middle screw connect back to armrests.



5 Use 6pcs middle screw connect armrests to the seat.



6 Connect the seat and gaslift. put gaslift into the mechanism hole.



7 finish

Clockwise to tighten.
counterclockwise to loosen

