





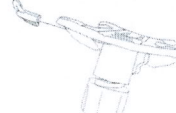





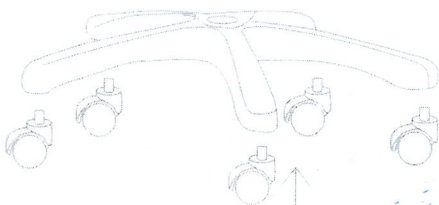
# Instruction Manual C43

## parts list

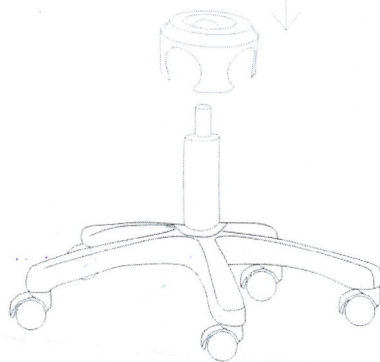
<b>A</b> BACK 1PC 	<b>B</b> SEAT 1PC 	<b>C</b> COVER 1PC 	<b>D</b> LEG 1PC 	<b>E</b> GASLIFT 1PC 
<b>F</b> WHEELS 5PCS 	<b>G</b> MECHANISM 1PC 	<b>I</b> SCREW MIDDLE 4 PCS +1PC 	<b>J</b> SCREW SHORT 4 PCS 	TOOL  Allen key

## Installation steps

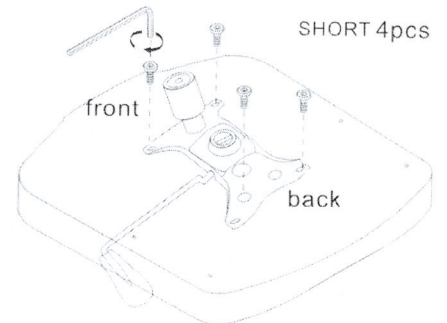
**1** Pressing the wheels into the leg.



**2** Put the cover and gaslift.

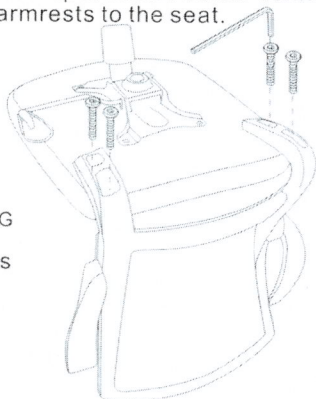


**3** Use 4pcs short screw install the mechanism on the seat.



**4** Use 4pcsmiddle screw connect armrests to the seat.

LONG  
4pcs



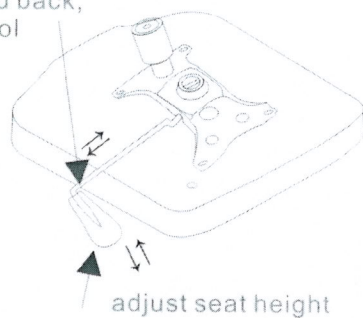
**5** Connect the seat and gaslift. put gaslift into the mechanism hole.



**6** finish



adjjst front and back,  
redining control



adjust seat height