

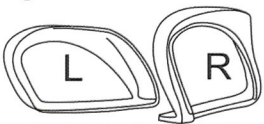



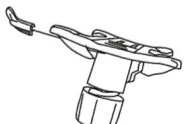
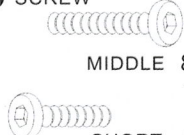




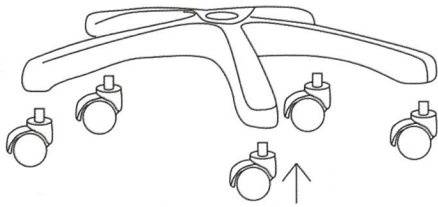
Instruction Manual C30

parts list

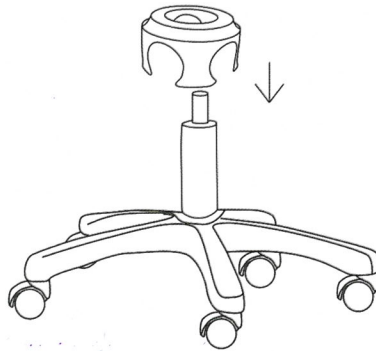
A BACK 1PC 	B SEAT 1PC 	C ARMREST 2PCS 	D LEG 1PC 	E GASLIFT 1PC 
F WHEELS 5PCS 	G MECHANISM 1PC 	H SCREW  MIDDLE 8PCS +1PC SHORT 4PCS	I COVER 1PC 	TOOL  Allen key

Installation steps

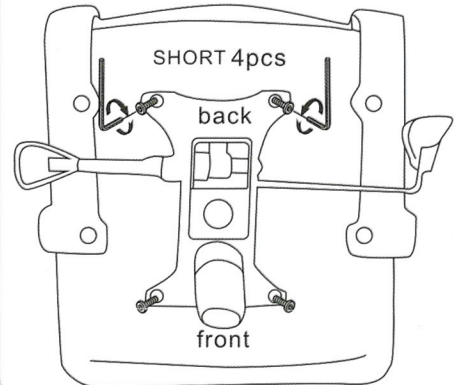
1 Pressing the wheels into the leg.



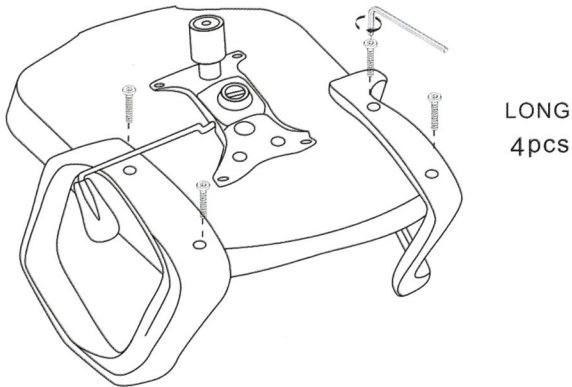
2 Put the cover and gaslift.



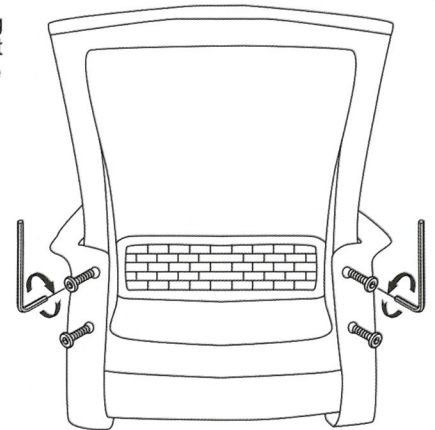
3 Use 4pcs short screw install the mechanism on the seat.



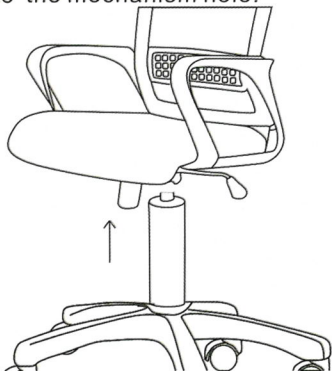
4 Use 4pcs long screw connect armrests to the seat.



5 Use 4pcs long screw connect armrests to the seat.



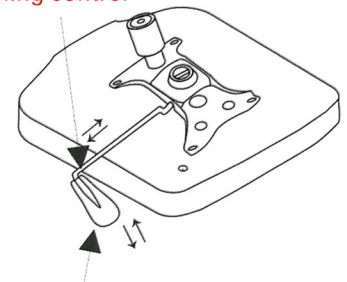
6 Connect the seat and gaslift. put gaslift into the mechanism hole.



7 finish



adjust front and back, redining control



adjust seat height