
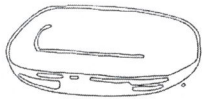
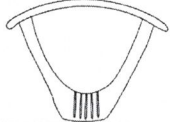

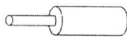




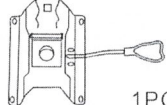




Instruction Manual

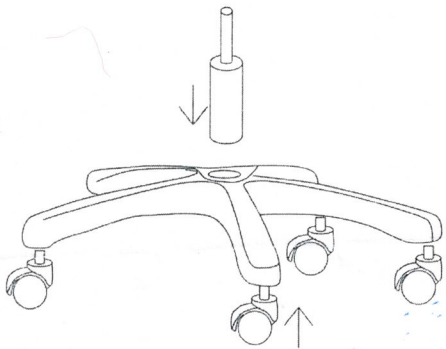
Bt09

parts list

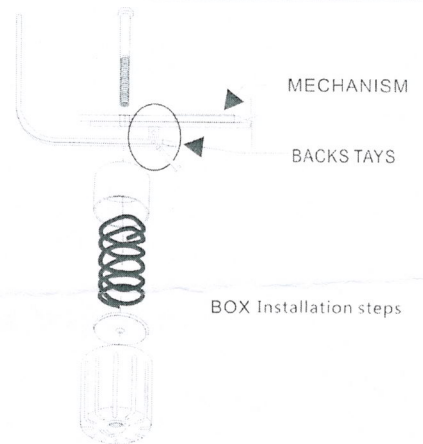
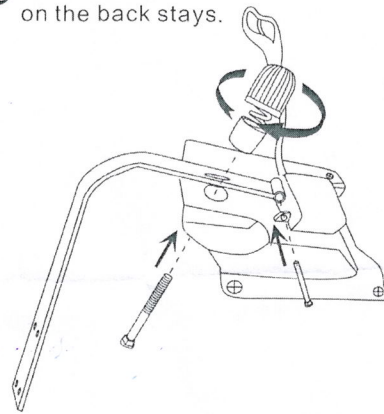
A BACK 1PC 	B SEAT 1PC 	C ARMREST 2PCS 	D LEG 1PC 	E GASLIFT 1PC 	F WHEELS 5PCS 
G BOX 1PC 	H SCREW a SHORT 4 PCS 	I SCREW b LONG 6PCS spare +1PC 	J MECHANISM 1PC 	K TOOL TOOL  Allen key 	

Installation steps

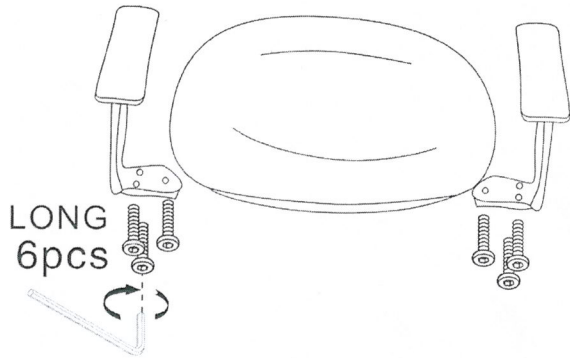
- 1** Pressing the wheels into the leg, put the gaslift.



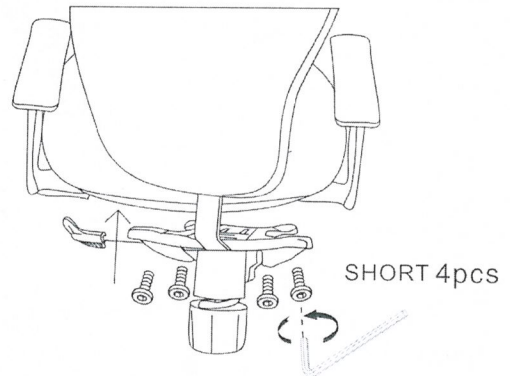
- 2** install the mechanism on the back stays.



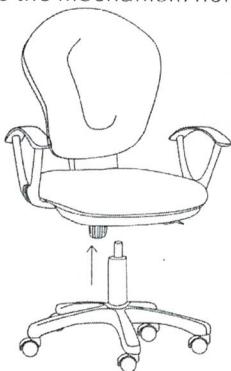
- 3** Use 6pcs long screw connect armrests to the seat.



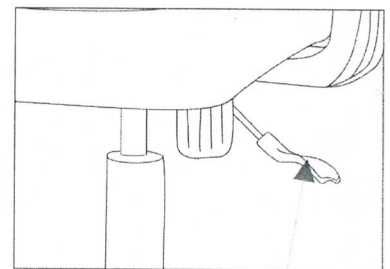
- 4** Use 4pcs short screw install the mechanism on the seat.



- 5** Connect the seat and gaslift. put gaslift into the mechanism hole.



- 6** finish



adjust seat height