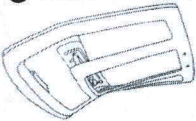

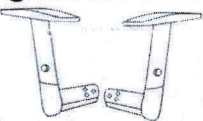

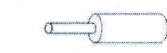

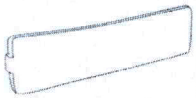
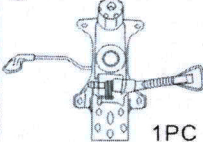





Instruction Manual

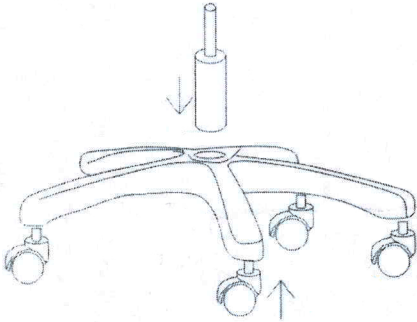
BN31

parts list

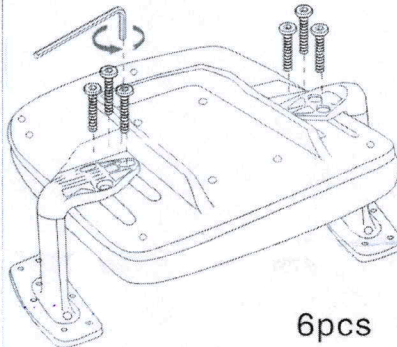
A BACK 1PC 	B SEAT 1PC 	C ARMREST 2PCS 	D LEG 1PC 	E GASLIFT 1PC 	F WHEELS 5PCS 
G BACK CASING 1PC 	H MECHANISM 1PC 	TOOL  Allen key  SMALLX1  BIGX1			

Installation steps

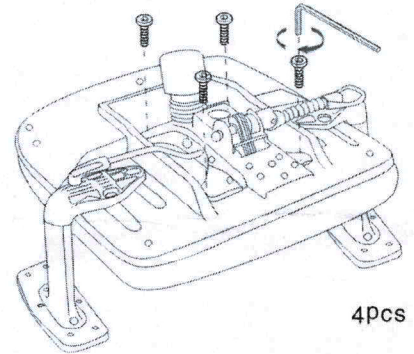
- 1** Pressing the wheels into the leg. put the leg cover and gaslift.



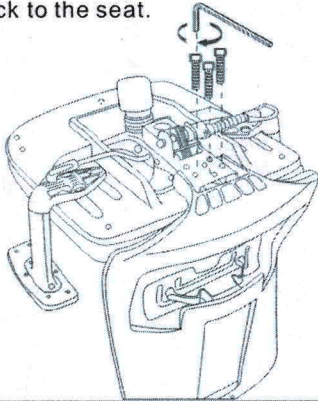
- 2** Use 6pcs long screw connect armrests to the seat.



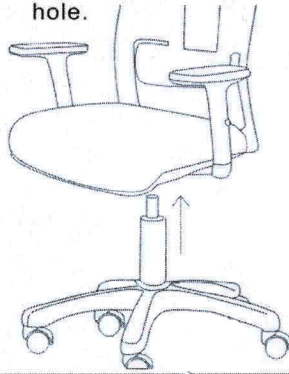
- 3** Use 4pcs short screw install the mechanism on the seat.



- 4** Use 3pcs of screw to connect back to the seat.



- 5** Connect the seat and gaslift. put gaslift into the mechanism hole.



- 7** finish



- 6** adjjst front and back, redining control

