
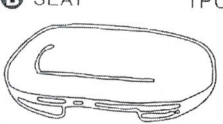
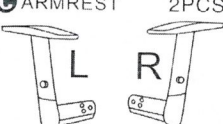
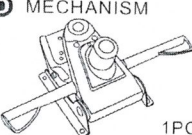
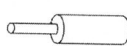









Instruction Manual

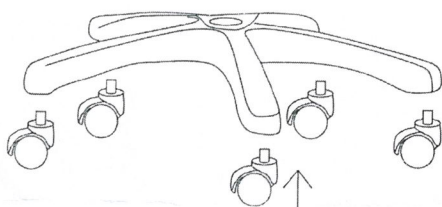
BD01

parts list

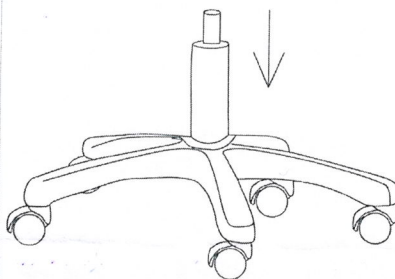
A BACK 1PC 	B SEAT 1PC 	C ARMREST 2PCS 	D MECHANISM 1PC 	E GASLIFT 1PC 	F WHEELS 5PCS 
G LEG 1PC 	H HEADREST 1PC 	I SCREW MIDDLE 3PCS 	J SCREW LONG 8PCS +1PC 	K SCREW SHORT 4PCS 	TOOL  Allen key

Installation steps

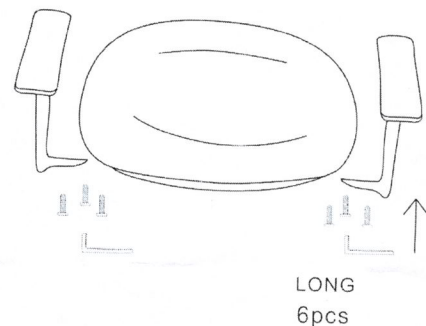
1 Pressing the wheels into the leg.



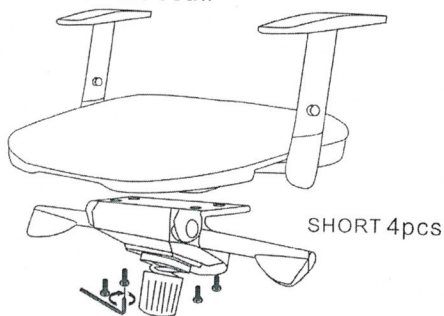
2 Put the gaslift.



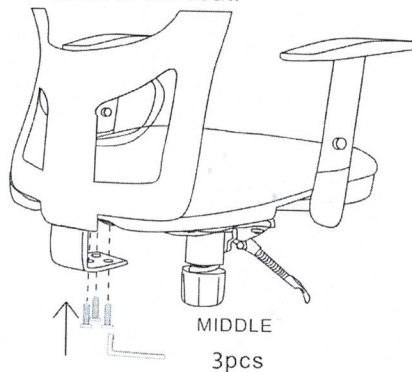
3 Use 6pcs middle screw connect armrests to the seat.



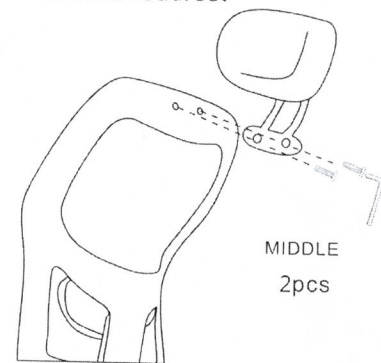
4 Use 4pcs short screw install the mechanism on the seat.



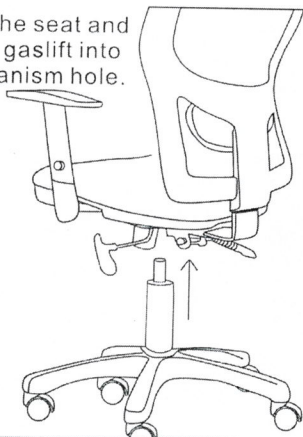
5 Use 3pcs middle screw connect back to the seat.



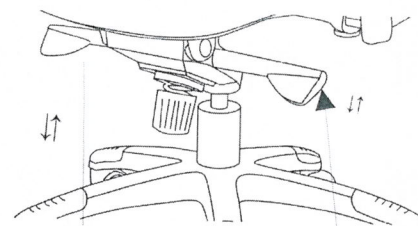
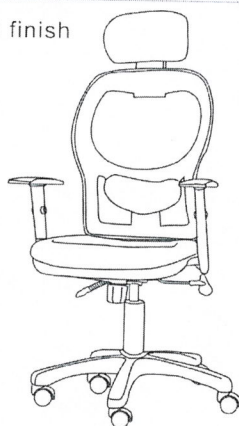
6 tight the triargle screw connet headrest



7 Connect the seat and gaslft.put gaslft into the mechanism hole.



8 finish



adjust seat height up and down

adjust front and back, using control