
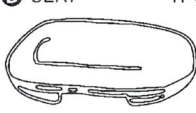
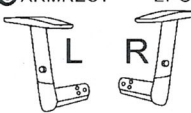
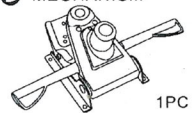
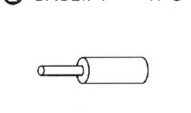

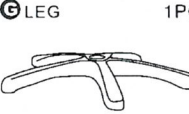




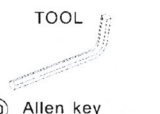
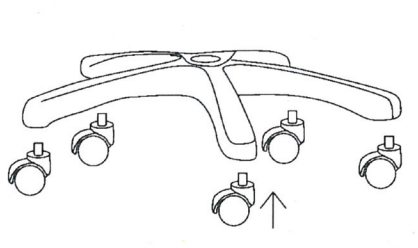
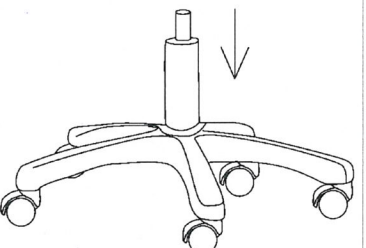
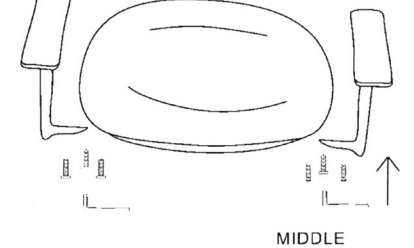
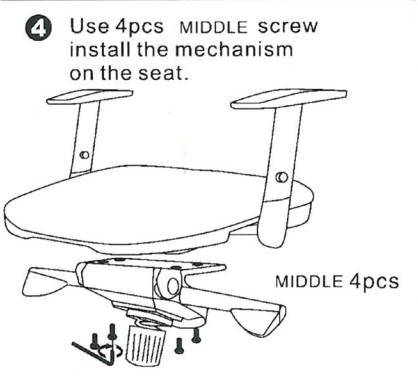
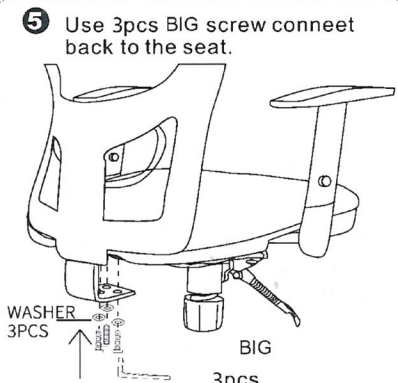
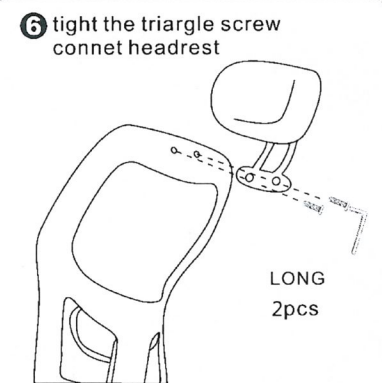
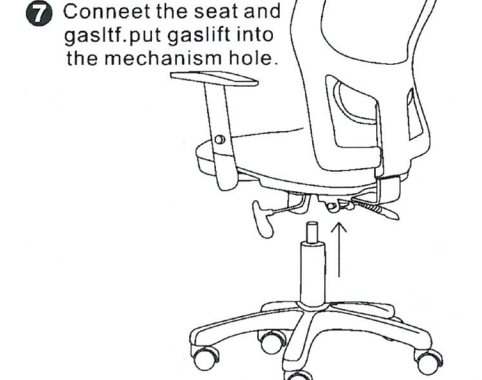



# Instruction Manual B04

## parts list

<b>A</b> BACK 1PC 	<b>B</b> SEAT 1PC 	<b>C</b> ARMREST 2PCS L R 	<b>D</b> MECHANISM 1PC 	<b>E</b> GASLIFT 1PC 	<b>F</b> WHEELS 5PCS 
<b>G</b> LEG 1PC 	<b>H</b> HEADREST 1PC 	<b>I</b> SCREW+WASHER BIG 3PCS WASHER 3PCS 	<b>J</b> SCREW MIDDLE 10PCS +1PC 	<b>K</b> SCREW LONG 2 PCS 	TOOL  Allen key

## Installation steps

- 1** Pressing the wheels into the leg.  

- 2** Put the gaslift.  

- 3** Use 6pcs middle screw connect armrests to the seat.  
  
MIDDLE 6pcs
- 4** Use 4pcs MIDDLE screw install the mechanism on the seat.  
  
MIDDLE 4pcs
- 5** Use 3pcs BIG screw connect back to the seat.  
  
WASHER 3PCS  
BIG 3pcs
- 6** tight the triangle screw connect headrest  
  
LONG 2pcs
- 7** Connect the seat and gaslft.put gaslft into the mechanism hole.  

- 8** finish  
  
adjust seat height up and down  
adjust front and back, using control  
