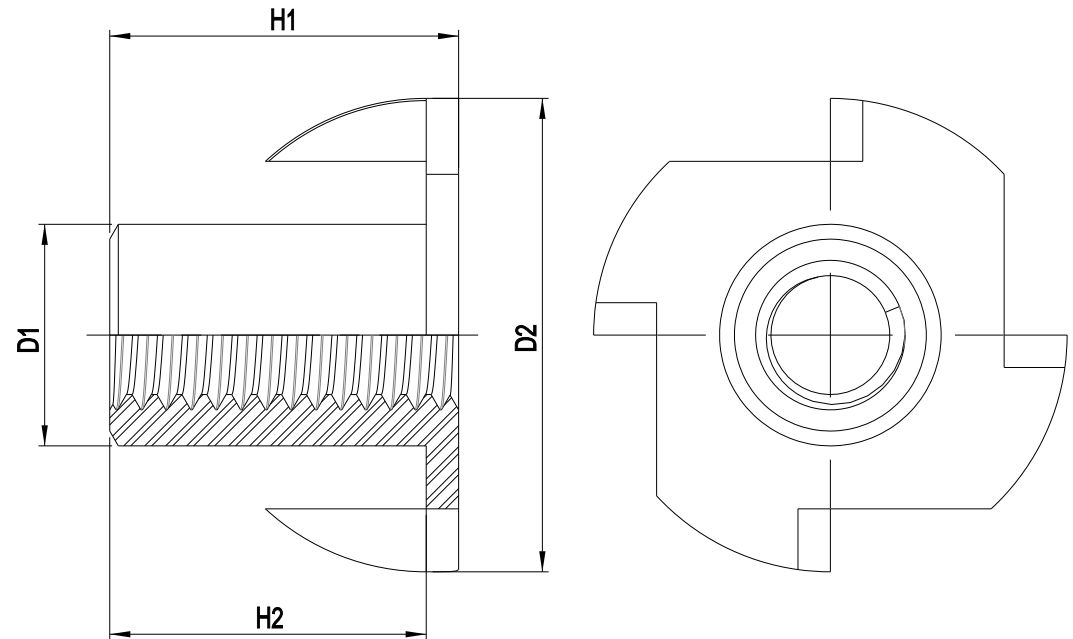


Further Information

Diameter (d)	Pitch	h1	h2	t	d1	d2
M4	0.70	6.0	5.0	1.0	5.6	15
M5	0.80	8.0	6.7	1.3	7.0	17
M6	1.00	9.0	7.8	1.2	7.7	19
M8	1.25	11.0	9.5	1.5	10.0	22
M10	1.50	12.0	10.2	1.8	12.0	25



BoltWorld
lets bring things together.....

PRONG DRIVE IN NUT FOR
WOOD (T-NUT)

Information in this drawing is provided for reference only