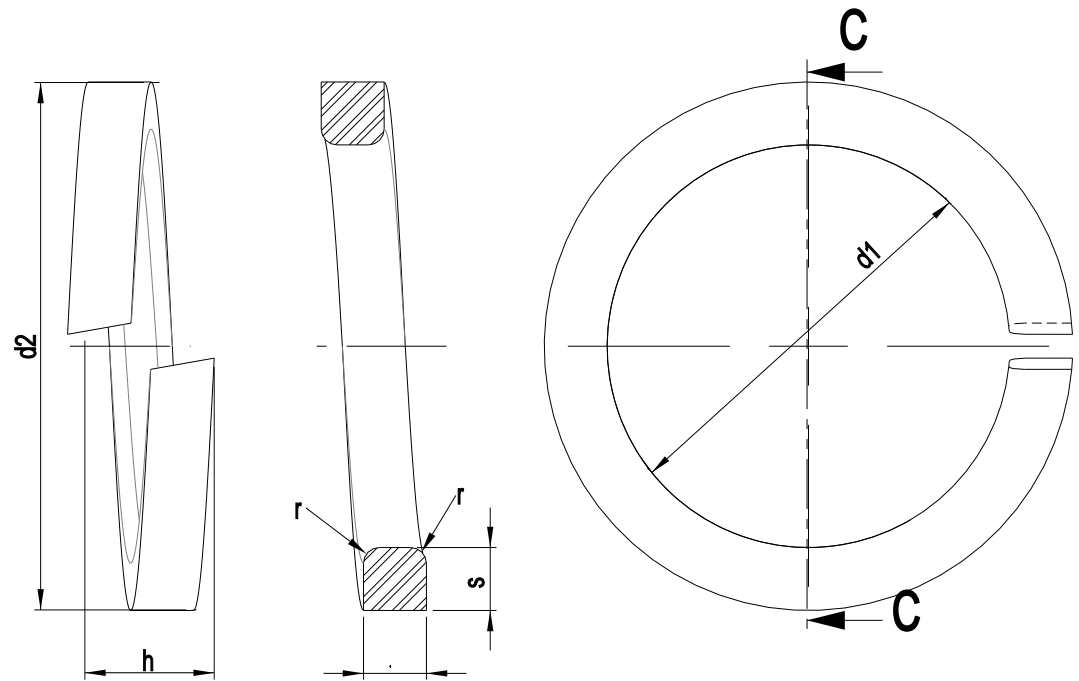


Further Information

Diameter (d)	d1	d2	s	h
M3	3.4-3.1	5.6	1.0	2.36-2.00
M3.5	3.9-3.6	6.1	1.0	2.36-2.00
M4	4.4-4.1	7.0	1.2	2.83-2.40
M5	5.4-5.1	8.8	1.6	3.78-3.20
M6	6.5-6.1	9.9	1.6	3.76-3.20
M8	8.5-8.1	12.7	2.0	4.72-4.00
M10	10.7-10.2	16.0	2.5	5.90-5.00
M12	12.7-12.2	18.0	2.5	5.90-5.00
M14	14.7-14.2	21.1	3.0	7.10-6.00
M16	17.0-16.2	24.4	3.5	8.25-7.00
M18	19.0-18.2	26.4	3.5	8.25-7.00
M20	21.2-20.2	30.6	4.5	10.6-9.0
M22	23.5-22.5	32.9	4.5	10.6-9.0
M24	25.5-24.5	35.9	5.0	11.8-10.0
M27	28.5-27.5	38.9	5.0	11.8-10.0
M30	31.7-30.5	44.1	6.0	14.2-12.0



BoltWorld
lets bring things together.....

SQUARE SECT SPRING
WASHER DIN 7980

Information in this drawing is provided for reference only