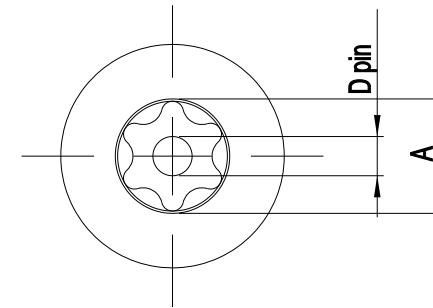
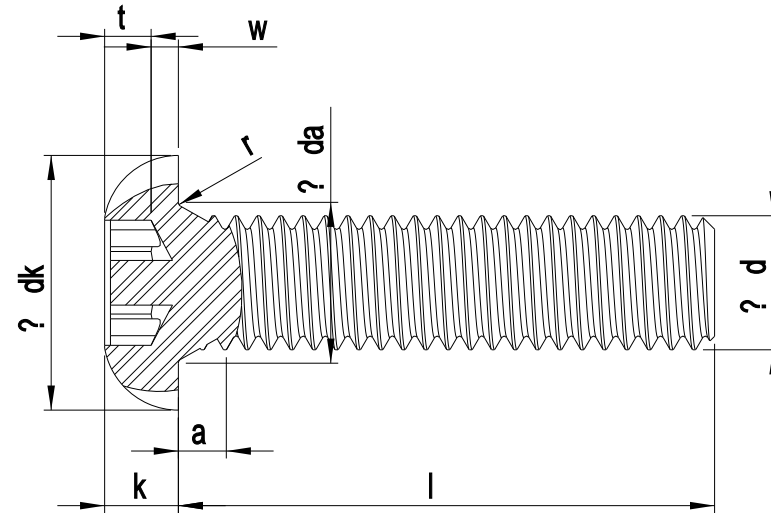


Further Information

Diameter (d)	Pitch	dk	k	Drive
M3	0.50	5.70-5.40	1.66-1.40	Pin+T10
M4	0.70	7.60-7.24	2.20-1.95	Pin+T20
M5	0.80	9.50-9.14	2.75-2.50	Pin+T25
M6	1.00	10.50-10.07	3.30-3.00	Pin+T30
M8	1.25	14.00-13.57	4.40-4.10	Pin+T40
M10	1.50	17.50-17.07	5.50-5.20	Pin+T50



BoltWorld
lets bring things together.....

BUTTON SECURITY SCREW

Information in this drawing is provided for reference only