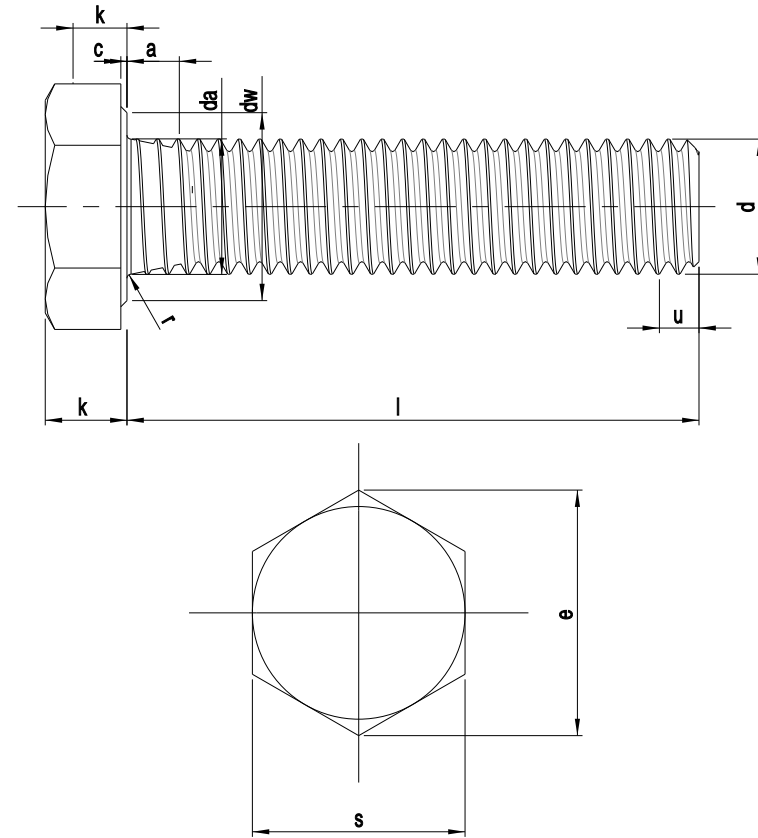


Further Information

Diameter (d)	Pitch	s	k
M2	0.40	4.00-3.82	1.52-1.28
M2.5	0.45	5.00-4.82	1.82-1.58
M3	0.50	5.50-5.32	2.12-1.88
M4	0.70	7.00-6.64	3.00-2.60
M5	0.80	8.00-7.64	3.74-3.26
M6	1.00	10.00-9.64	4.24-3.76
M8	1.25	13.00-12.57	5.54-5.06
M10	1.50	17.00-16.57	6.69-6.11
M12	1.75	19.00-18.48	7.79-7.21
M14	2.00	22.00-21.16	9.09-8.51
M16	2.00	24.00-23.16	10.29-9.71
M18	2.50	27.00-26.15	11.85-11.15
M20	2.50	30.00-29.16	12.85-12.15
M22	2.50	32.00-31.00	14.35-13.65
M24	3.00	36.00-35.00	15.35-14.65
M27	3.00	41.00-40.00	17.35-16.64
M30	3.50	46.00-45.00	19.12-18.28
M33	3.50	50.00-49.00	21.42-20.58
M36	4.00	55.00-53.80	22.92-22.08



BoltWorld

HEXAGON HEAD SET
SCREW DIN 933

Information in this drawing is provided for reference only