



Blast Brothers Manual

smartairfilters.com

Stuff Our Lawyers Made Us Say (Safety Instructions):

- This appliance can be used by children aged from 8 years and above and persons with reduced physical, sensory or mental capabilities or lack of experience and knowledge if they have been given supervision or instruction concerning use of the appliance in a safe way and understand the hazards involved. Children shall not play with the appliance. Cleaning and user maintenance shall not be made by children without supervision.
- If the supply cord is damaged, it must be replaced by the manufacturer, its service agent or similarly qualified persons in order to avoid a hazard.
- Prior to cleaning or other maintenance, the appliance must be disconnected from the supply mains.

Smart Air is a B-Corp certified social enterprise that that promotes cost-effective, data-backed air filters as a solution to indoor particulate air pollution. Smart Air provides open-source test data and hosts workshops across Asia to teach people how to protect themselves from air pollution.

Smart Air has been covered by the BBC, Forbes and CCTV. We've run over 300 educational workshops educating 10,000 people. And have over 5,000 hours of test data and research in our air pollution knowledge base. Since our launch we've shipped over 100,000 simple and effective purifiers across 50 countries.



A message from the founder Thomas:

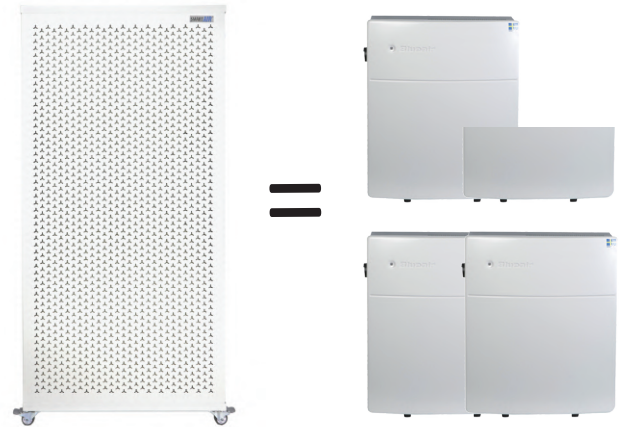
In 2013, I was living in Beijing and needed a purifier to fight the airpocalypse. I went out to buy one only to find that purifier companies were charging crazy high prices for simple technology. After some research, I discovered all air purifiers are just fans and filters, and don't need to cost thousands. That's when Smart Air was born.

I hope you enjoy your Smart Air purifier. It looks simple, even primitive, but it works. And because it works, your Smart Air is a message to the world that clean air in your home doesn't need to cost crazy amounts of money.

Your lungs will have a Blast

We measured the Blasts' clean air delivery rate (CADR) in our Beijing lab, and compared them against the Blueair and IQ Air. The results are clear: the Blasts give way more clean air.

All our data is available online at smartairfilters.com/blasts



1 Blast = 3.4 Blueair 203's



1 Blast Mini = 2.2 Blueair 203's

(Blueair data from AHAM official website)

Its quieter too

Well if it's more powerful than 3 Blueair's, it must be loud as heck, right?
It's actually quieter. Think of it as the strong, silent type.

Blast



Blast Mini



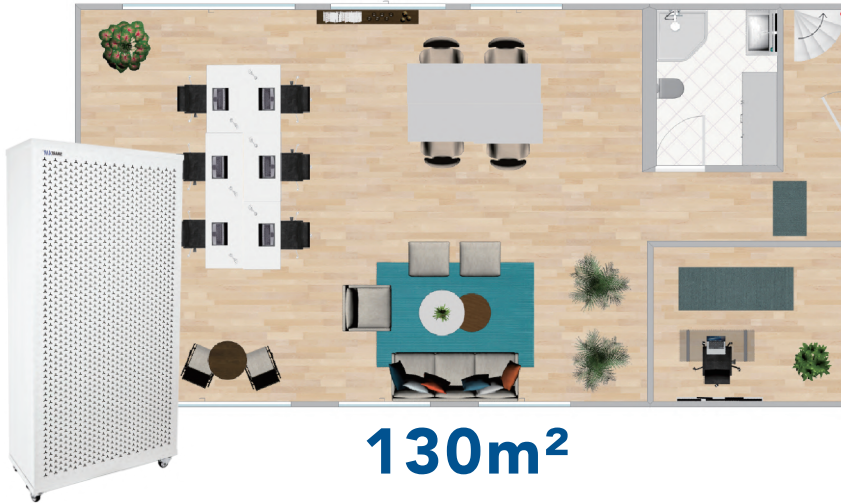
IQ Air



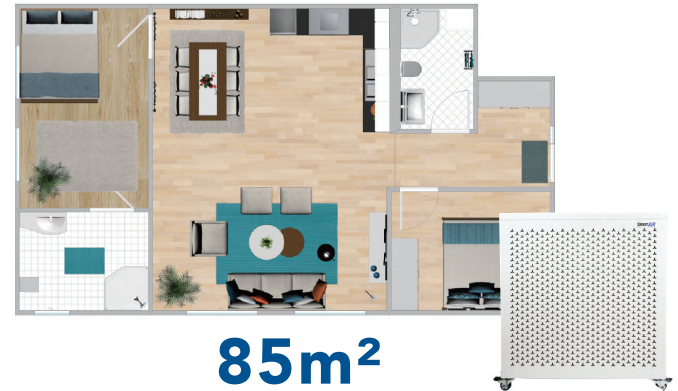
Blueair 203



Let's talk about size



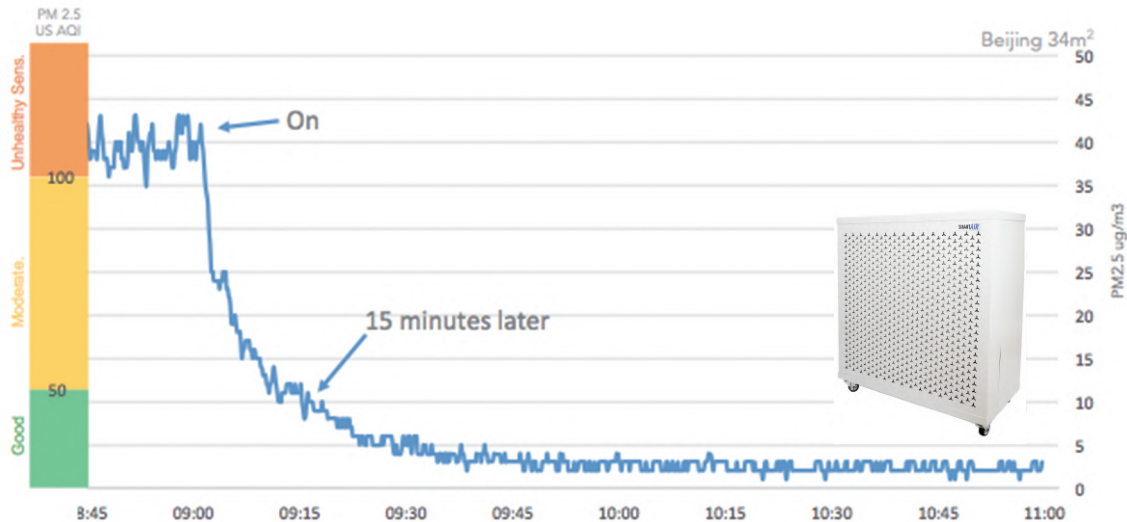
With this kind of muscle, the Blast can cover big apartments, offices, or gyms. (Or run it on low in a normal apartment, and you'll have the quietest clean air on the block.)



The Blast Mini, at half the size of the Blast, is ideal for normal-sized apartments with about 4 rooms.

Place your Blast at least 15cm away from the wall for maximum air flow.

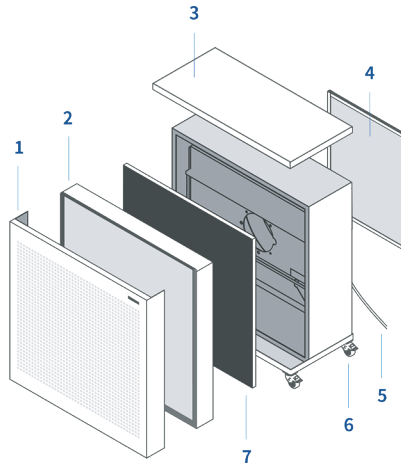
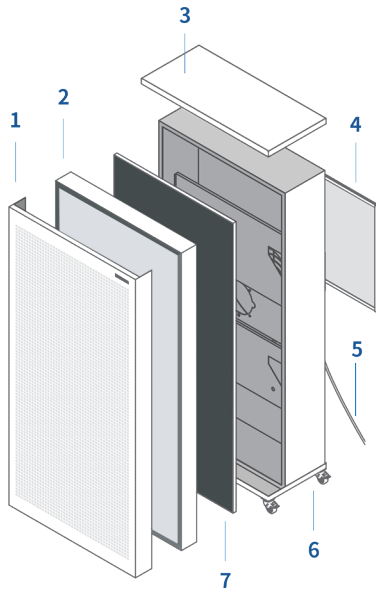
Room test



Thomas tested the Blast Mini in Smart Air's Beijing office when the team was at work to see how quickly it could clean the air. The Blast Mini was turned on low, and people were coming and going after we turned it on at 9am.

After 25 minutes, the Blast Mini kept the PM2.5 levels in the office below 5µg/m³. That's half the WHO recommended level.

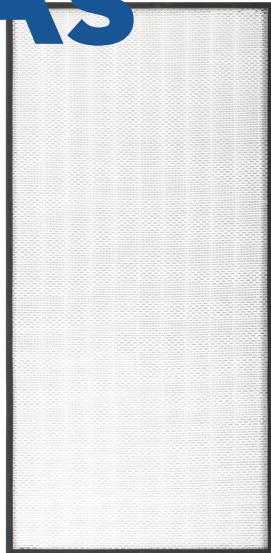
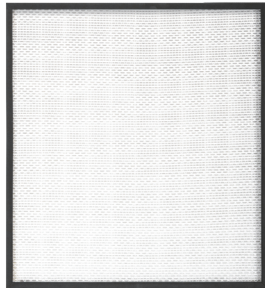
What's inside a Blast?



- 1 Front plate
- 2 HEPA filter
- 3 Top plate
- 4 Pre-filter
- 5 Power cable
- 6 Lockable wheels
- 7 Carbon filter (sold separately)

Purifier companies can make obscene profits when most people don't understand how purifiers work. Here's the honest truth: a purifier is fan + a filter. In this case, that fan and filter are just really big.

Tell me about your HEPAs



We tested over 10 different HEPA materials before deciding on using an H13, 99.97% HEPA filter. That means it can capture 99.97% of those particles above (and below) 0.3 microns!

Can HEPA Filters capture viruses?

HEPA purifiers are highly effective at capturing viruses and other tiny nanoparticles. Data shows HEPAs can capture over 99.9% of viruses, so sit back and breathe safe!

smartaifilters.com/en/blog/can-air-purifiers-remove-filter-out-covid-delta-variant/

Can I wash a dirty HEPA filter?

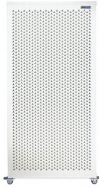

Unfortunately not. We ran experiments to test this. Find out more at smartaifilters.com/blog/hepas-washable/

We know that buying new HEPA filters is a significant recurring cost, so we do our best to keep prices low.

Filters can be purchased through smartaifilters.com/shop.

How often should I change the HEPA?

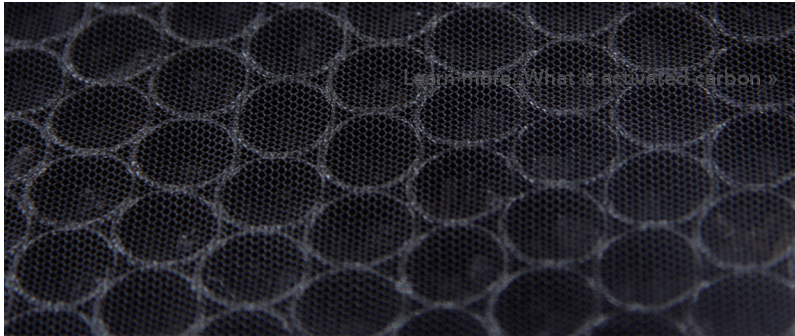
We tested our HEPA filters in dirty Beijing air for 200 days. Based on this data, we know your HEPA filter will last a seriously long time. The table below shows HEPA lifespan when running the Blasts in Beijing air for 8 hours per day. You can use this as a baseline, or use our HEPA lifespan calculator at smartairfilters.com/hepa-lifespan for a more accurate number.

	High speed setting	Low speed setting
 Room size: 130m ²	19 months 4,600 hours	22 months 5,250 hours
 Room size: 85m ²	12 months 2,900 hours	13 months 3,100 hours

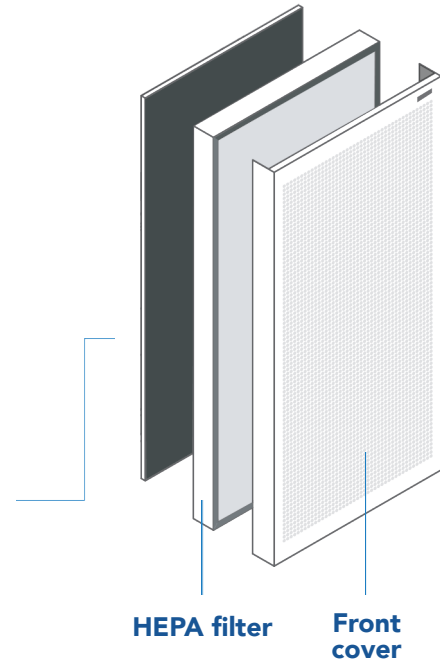
Blast formaldehyde too

HEPAs are great at capturing particles, but we'll need a carbon filter if we want to capture gas pollutants. Carbon has been proven to reduce gas pollutants including benzene, formaldehyde, VOCs, ozone, and odors.

If you ordered a carbon filter, it slots into the HEPA frame and sits between the fan and the HEPA.



Carbon filter close up



Learn more: [What is activated carbon »](#)



Turn on your Blast



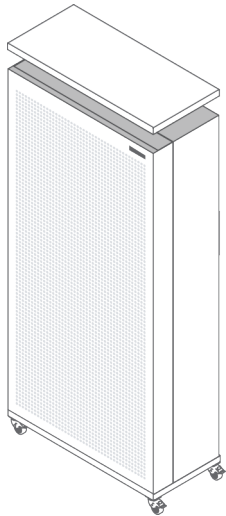
1. Your Blast comes with a detachable cable. Plug the short end into the back of the Blast, here. It's round the back, next to the pre-filter. Plug the other end into your wall socket.



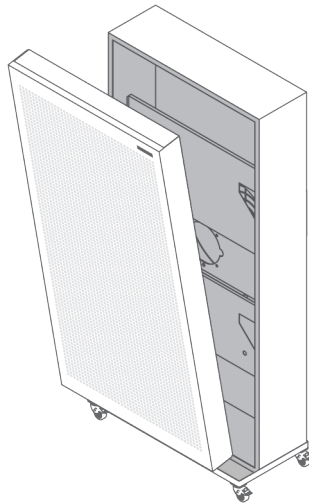
2. For speeds, we kept things simple. The Blast has a single dial with 3 speeds. 0 is off. Turn it to the right (clockwise) for maximum clean air.

Time to change the HEPA?

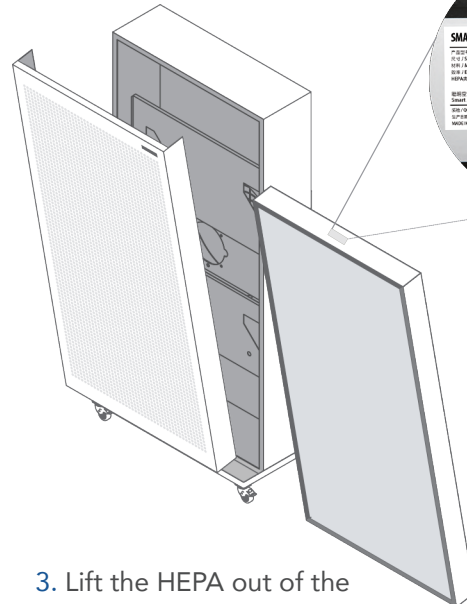
Although you won't need to change your filters all that often, we've still kept it incredibly simple to do so.



1. Lift off the top lid. It might be a little tight, so use those muscles!



2. Pull the front cover up and out, then take it out.



3. Lift the HEPA out of the front cover, and replace it with your new one.

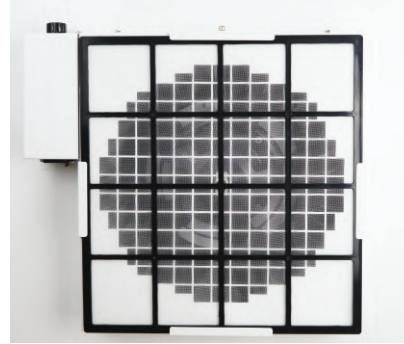
Take note of the arrow on the HEPA, it shows which way round the filter should face.

Simple Housekeeping

Cleaning the pre-filter will extend the lifespan of the HEPA filter. Here's how.



1. Unscrew the top screw using a screw driver.



2. Slide the pre-filter up and out. You can wash it with a damp cloth or water. Make sure it's dry before putting it back.

⚠ Remember to remove the power cable before removing or washing the pre-filter or opening up your Blast! ⚠

Smart Air Family

				
Room size (m ²)	1.2m radius	40	85	130
Noise level (dB)	30-46	23-52	36-49	29-43
Dimensions (mm)	150*145*180	348*363*330	625*576*330	1230*580*320
CADR (m ³ /hr)	40	315	740	950
Airflow (m ³ /hr)	80	600	1400	2000
Filter types	HEPA	HEPA + Carbon*	HEPA + Carbon*	HEPA + Carbon*
HEPA lifespan	200 days	6 months	12-13 months	19-22 months
HEPA dimensions (mm)	118*112*44	256*256*50	570*570*69	1170*570*69
Weight (kg)	0.6	6	26	38
Power Usage (W)	9	38	115	118

*Carbon filter optional. Not everybody needs a carbon filter, read up on VOCs to learn if you need one: smartairfilters.com/knowledge-base

Clean air should not be a luxury



 fb.com/smartairfilters

 [@smartairfilters](https://twitter.com/smartairfilters)

 [@smartairfilters](https://instagram.com/smartairfilters)

