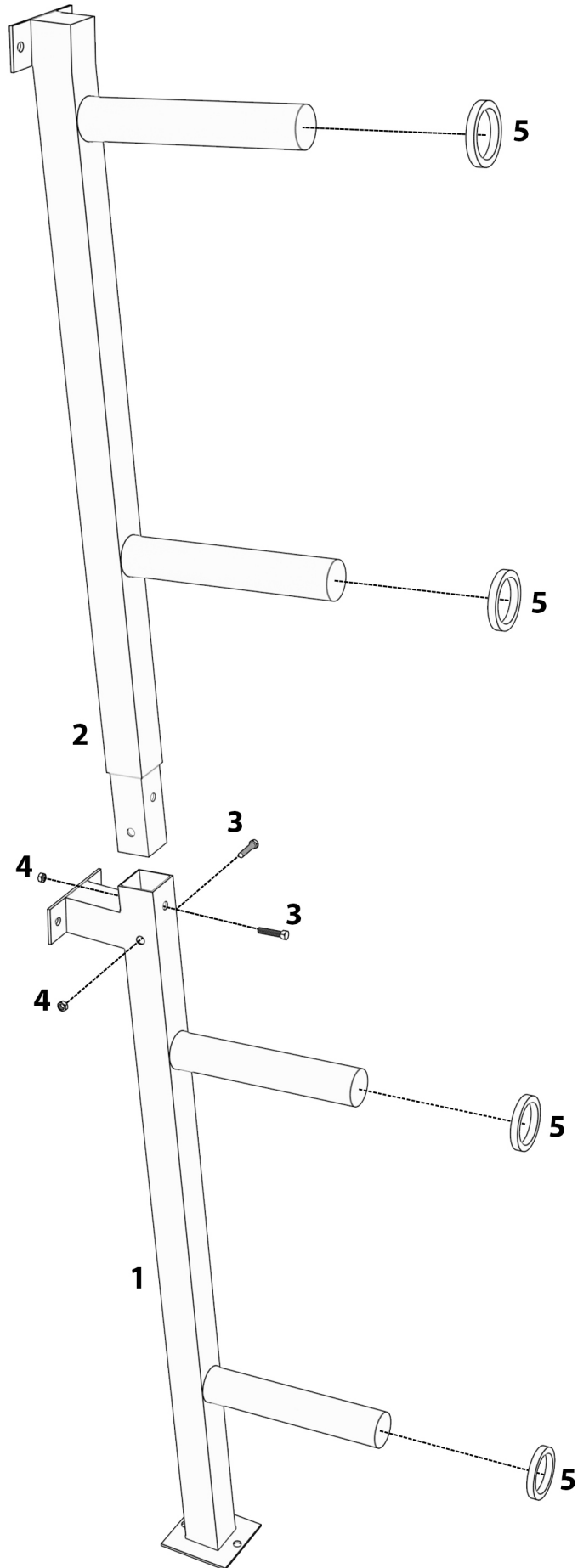
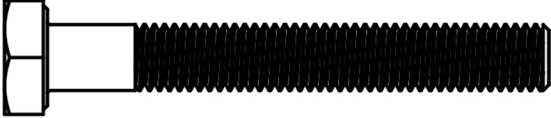


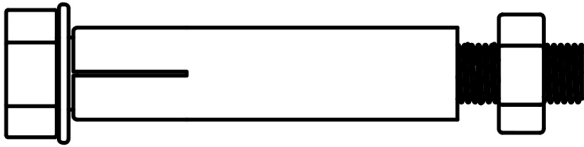
SYNERGEE WEIGHT PLATE WALL RACK



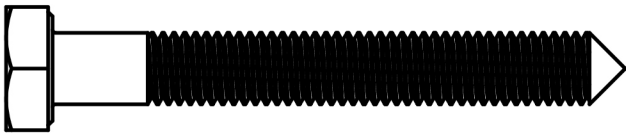
No.	Description	Qty
1	Lower Main Frame	1
2	Upper Main Frame	1
3	M8x75 Screw	2
4	M8 Nut	2
5	Rubber Stoppers	4
6	Concrete Screw Assembly	6
7	Wood Screw	6



M8x75 mm Screw(2)



Concrete Screw Assembly (6)



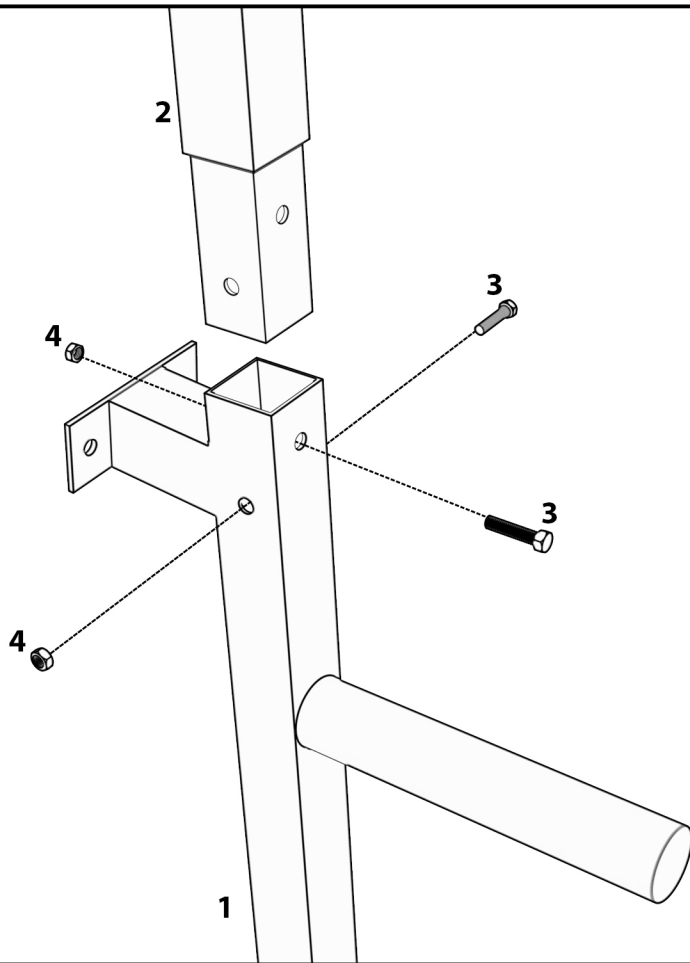
Wood Screw Assembly (6)



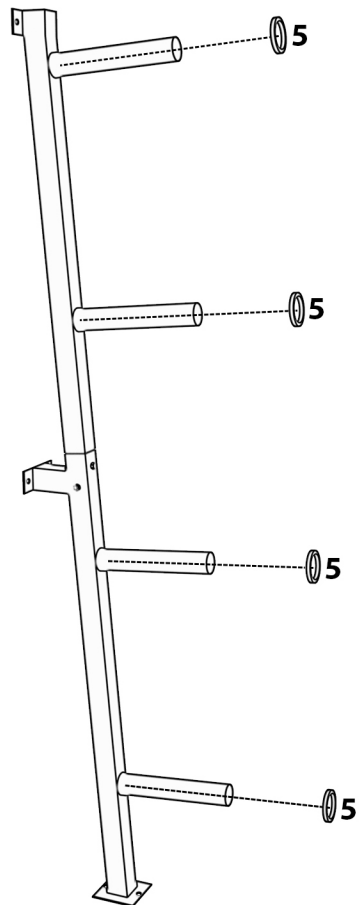
M8 nut(2)

**IF ANY PIECES ARE MISSING, PLEASE CONTACT US IMMEDIATELY:
CUSTOMERCARE@IHEARTSYNERGEE.COM OR 1.855.217.7136**

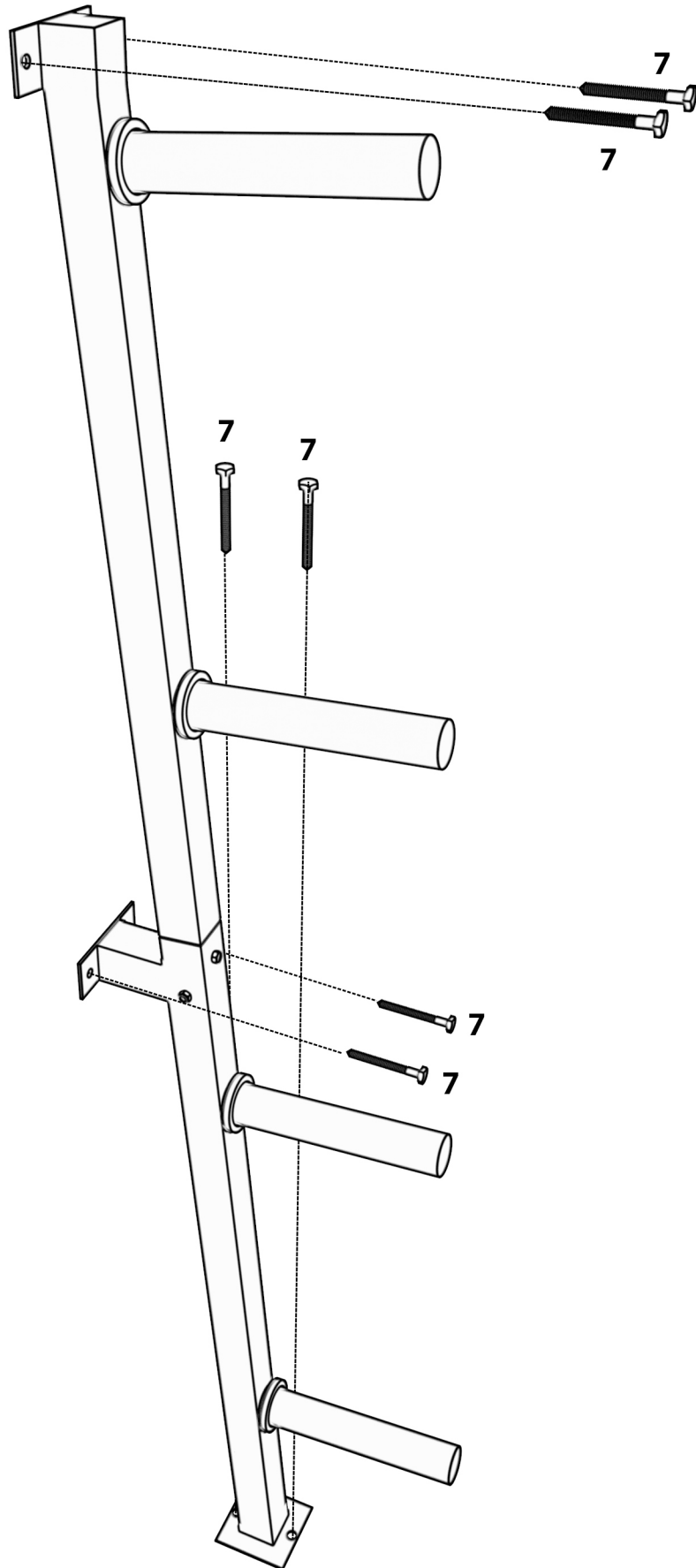
1.



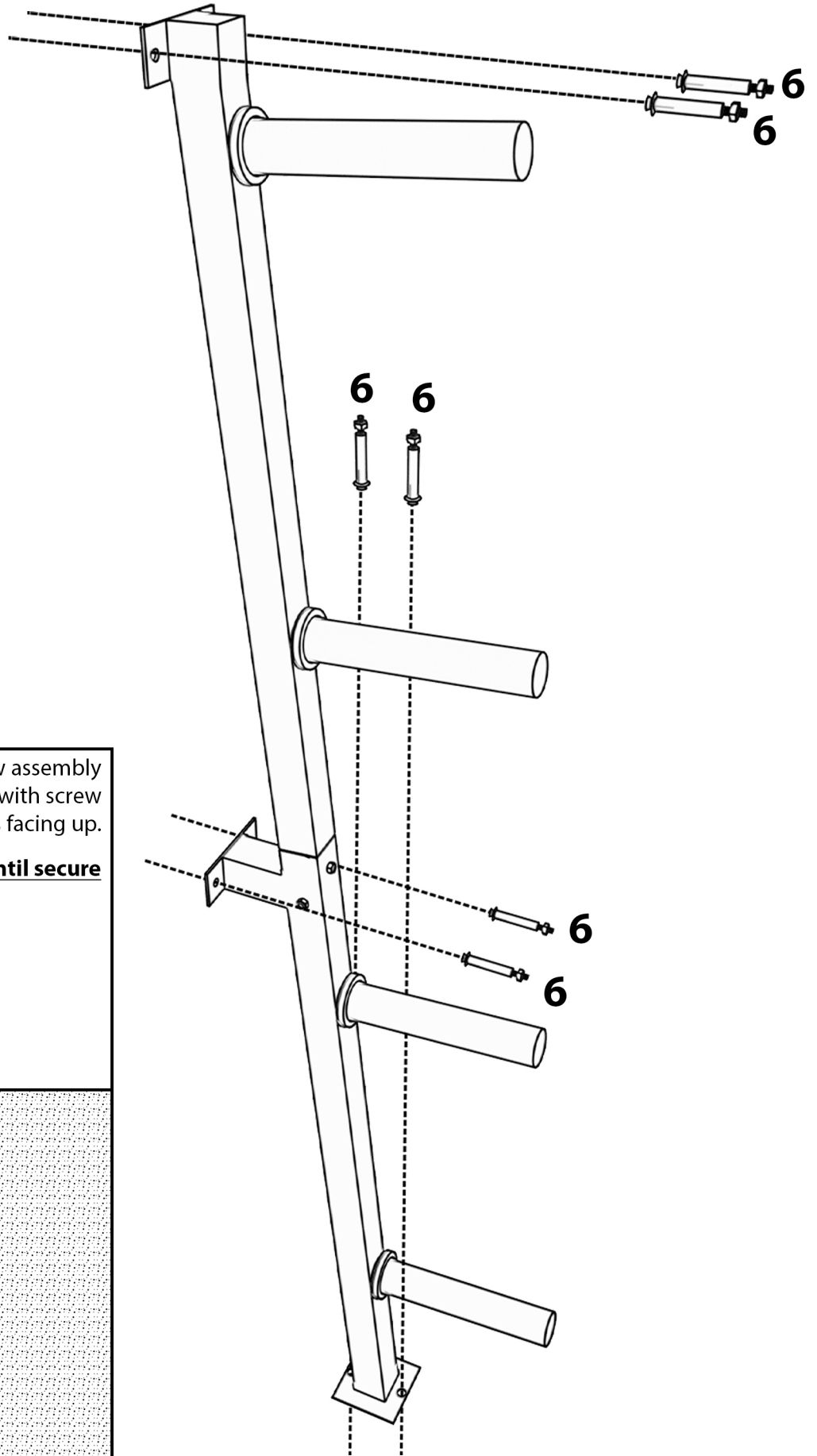
2.



3. WOOD SCREW INSTALLATION INSTRUCTIONS

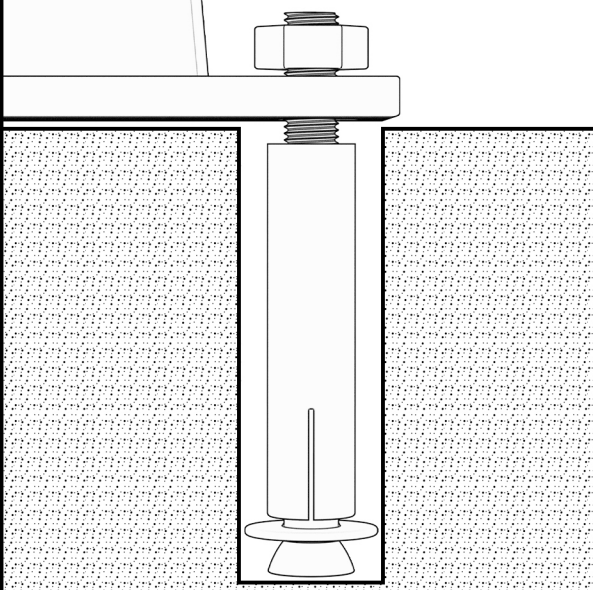


4. CONCRETE SCREW INSTALLATION INSTRUCTIONS



Place concrete screw assembly
into concrete with screw
threads facing up.

Fasten nut until secure



WARNING

WARNING: SERIOUS INJURY OR DEATH CAN OCCUR IF CAUTION IS NOT USED.

Follow these precautions to ensure you install your Synergee Weight Plate Rack Safely:

- 1.** Read all instructions in this manual and all warnings on the product before using it. It is the responsibility of the owner to ensure that all users of this product are adequately informed of all the safety precautions.
- 2.** Use this product only as described in this manual and keep this manual handy for future reference.
- 3.** Always keep children and pets away from this product. Keep hands and feet away from moving parts.
- 4.** This product is intended for consumer use only in an indoor environment. Do not use it in a commercial, rental, or institutional setting. Keep this product indoors, away from moisture and dust.
- 5.** Install the product on a level surface, with at least 3 feet of clearance around it.
- 6.** Install the rack properly and according to instructions. Properly tighten all parts and check their tightness regularly. If any worn or damaged parts are found, stop usage immediately.
- 7.** Do not install any fitness product near a pool, hot tub or other damp locations. Corrosion caused by installation in these locations can lead to premature failure of components, which is not covered under any warranty.