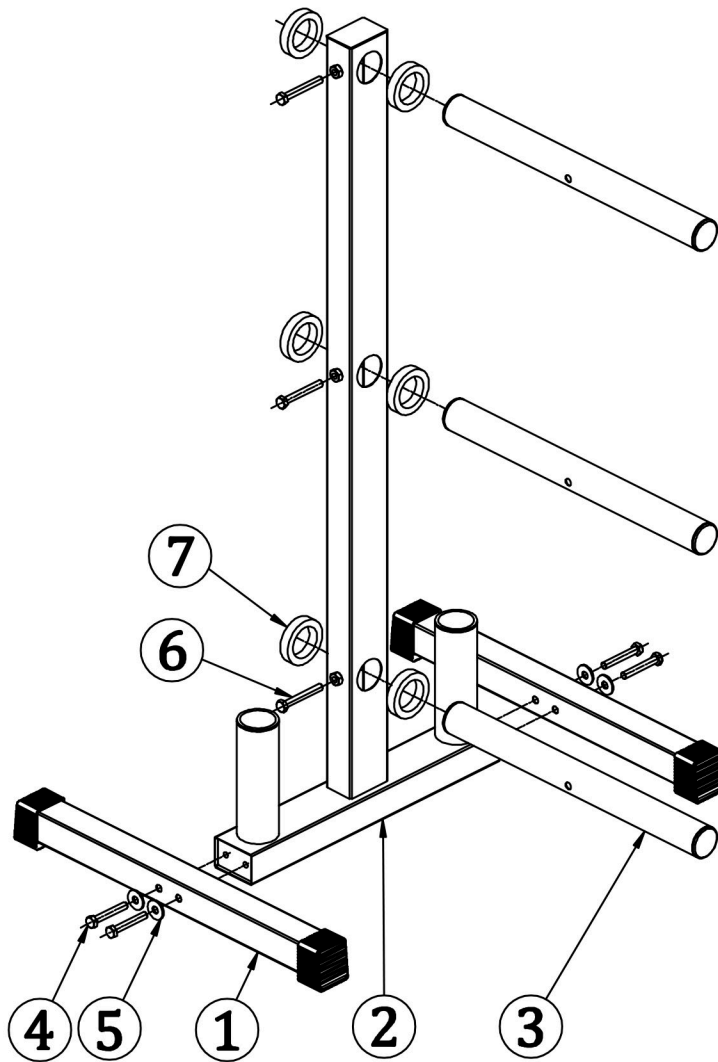




# OLYMPIC WEIGHT PLATE & BARBELL HOLDER



NO.	DESCRIPTION	Q'TY
1	Foot Tube	2
2	Main Frame	1
3	OP Plate Tube	3
4	Hex Bolt(M10*65)	4
5	Big Washer( $\Phi$ 10)	4
6	Hex Bolt(M10*75)	3
7	Bumper	6