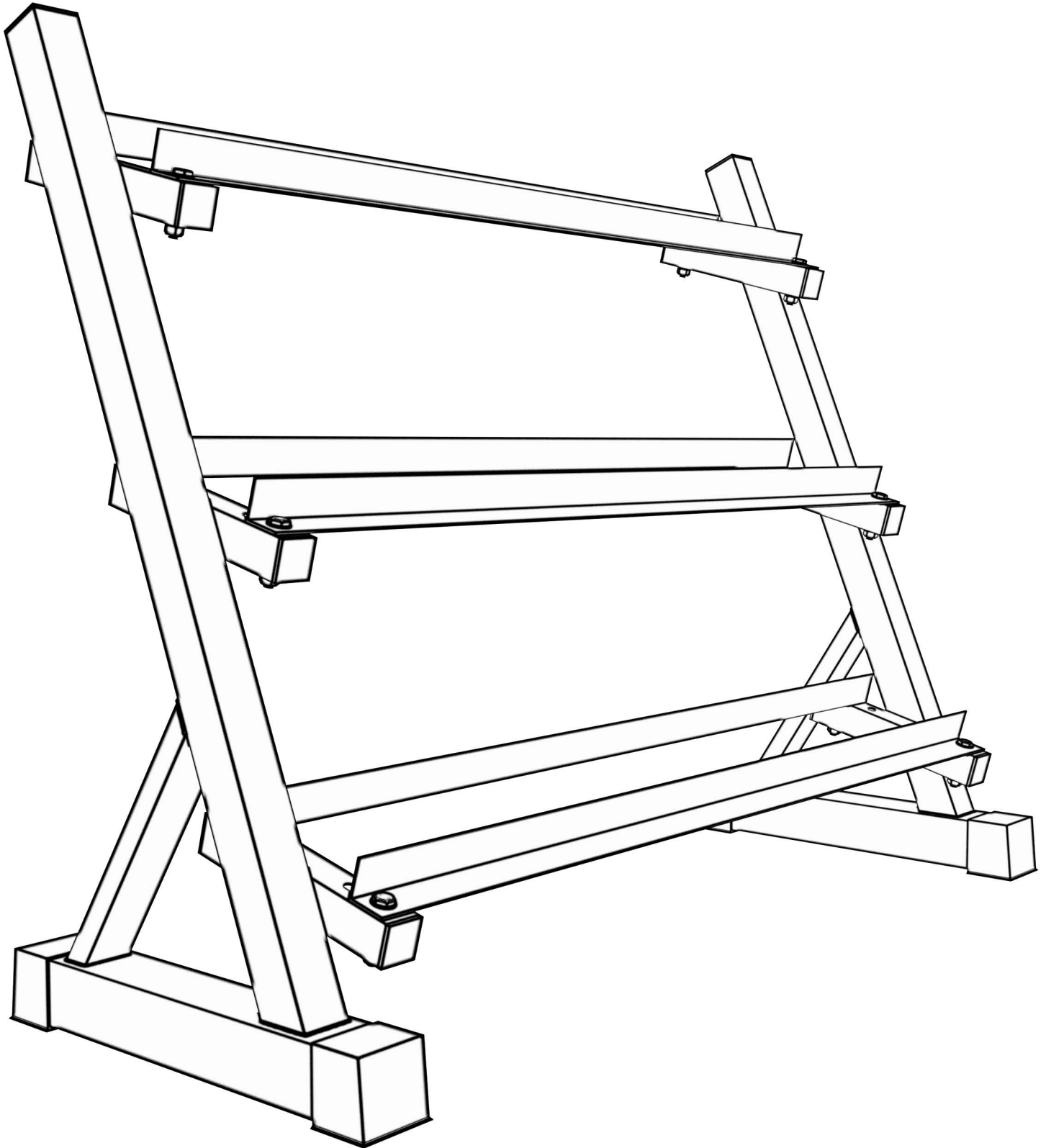


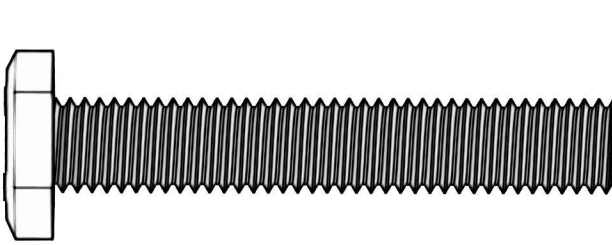
**SYNERGEE**  
LARGE DUMBBELL RACK



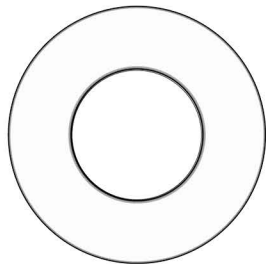
No.	Description	Qty
1	Left Upright Beam	1
2	Right Upright Beam	1
3	Dumbbell Rack	6
4	Foot (50 x 70mm)	4
5	End Cap (50x50mm)	2
6	Sqaure End Cap	12
7	Bolt (M10*55mm)	12
8	Washer (10mm)	12
9	Nut (M10)	12



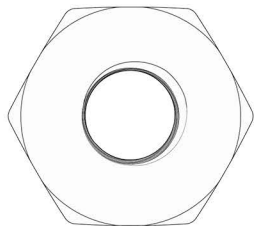
**Dumbbell Rack (6pcs)**



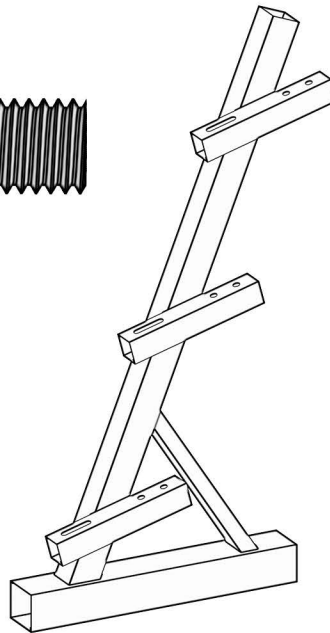
**M10\*55 (12pcs)**



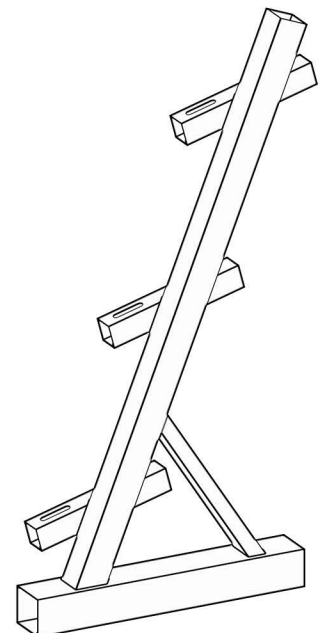
**10 (12pcs)**



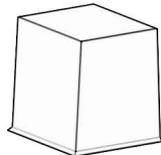
**10 (12pcs)**



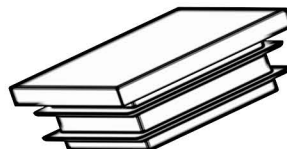
**Left Upright Beams (1pcs)**



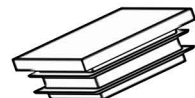
**Right Upright Beams (1pcs)**



**Foot (4pcs)**



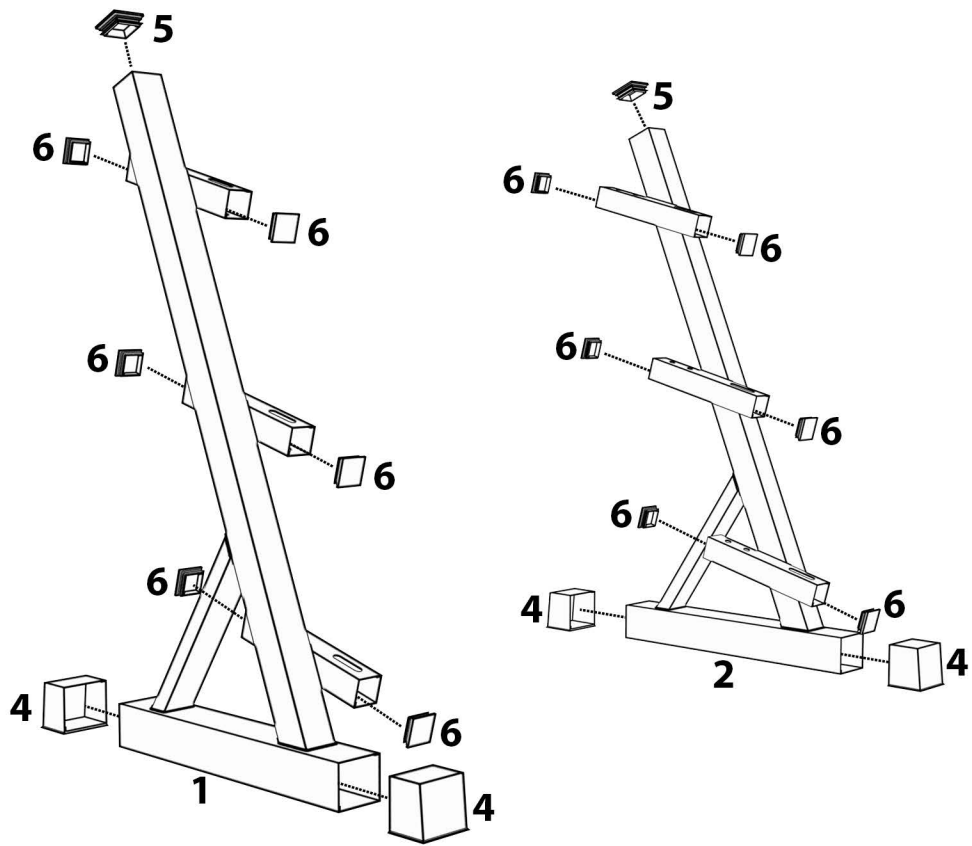
**End Cap (2pcs)**



**Square End Cap (12pcs)**

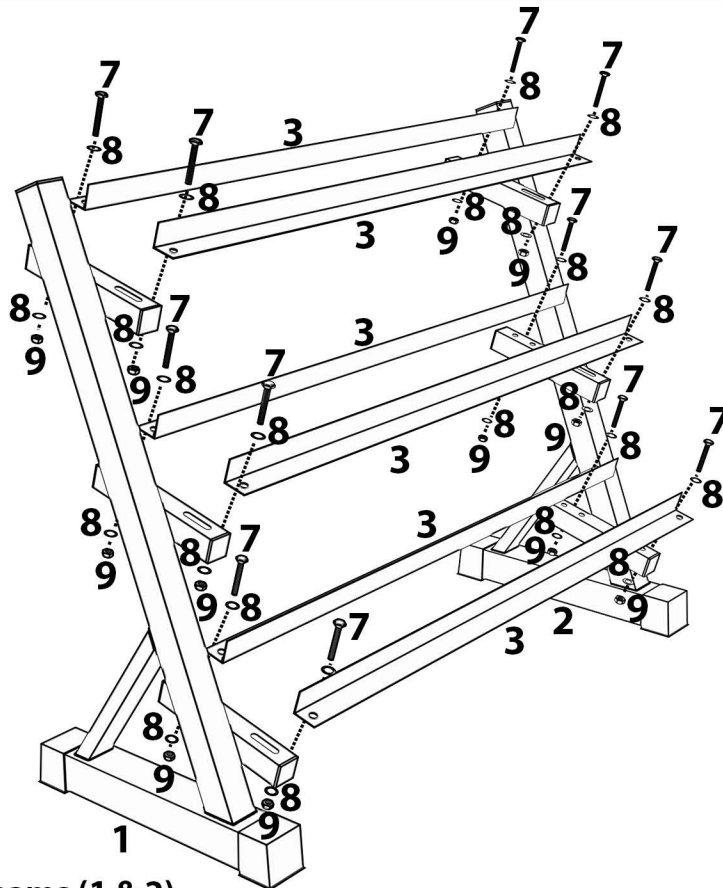
**IF ANY PIECES ARE MISSING, PLEASE CONTACT US IMMEDIATELY:  
HELLO@SYNERGEEFITNESS.COM OR 1.855.217.7136**

**1.**



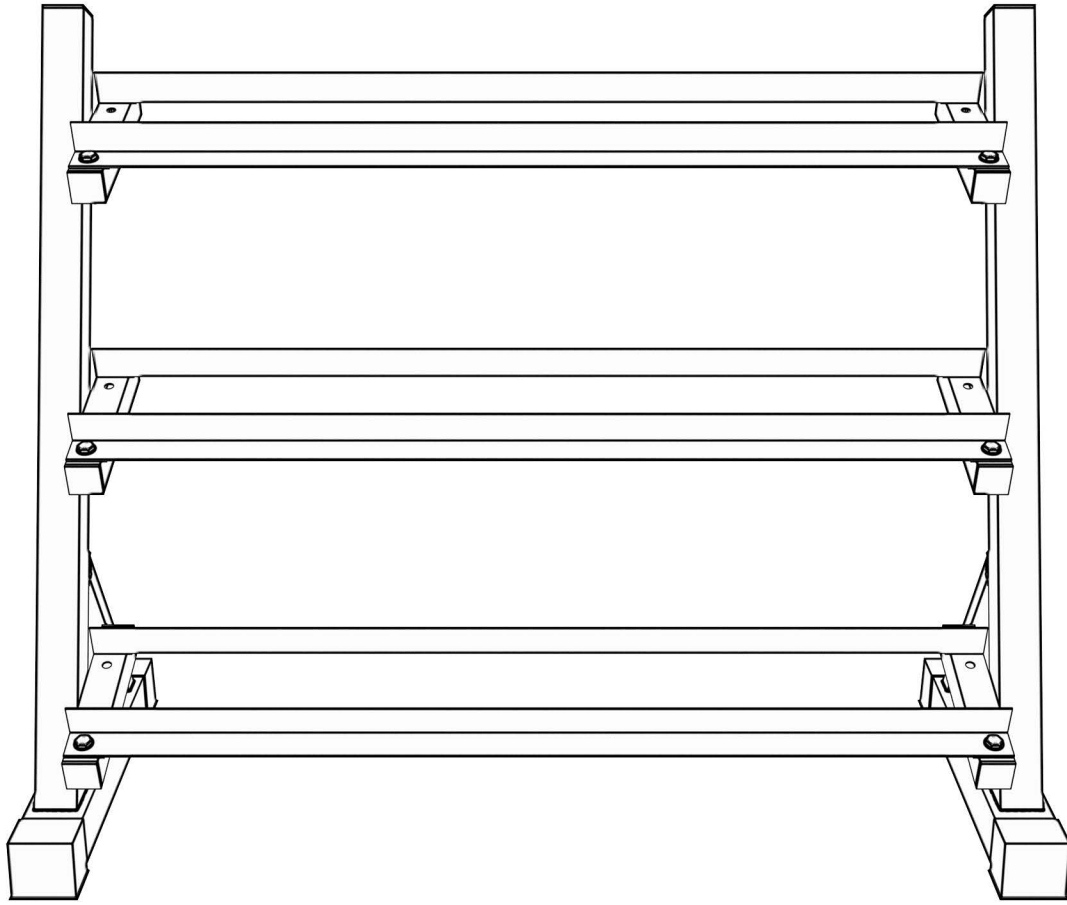
**Connect the Feet (4) to each Beam (1 & 2) respectively**  
**Connect the End Caps (5) and the Square End Caps (6) to the beams**

**2.**



**Align racks (6) to the beams (1 & 2)**  
**When aligned, secure with the provided hardware**

**3.**



**IF ANY PIECES ARE MISSING, PLEASE CONTACT US IMMEDIATELY:  
HELLO@SYNERGEEFITNESS.COM OR 1.855.217.7136**