

# Synergiee Weight Plate Storage Rack

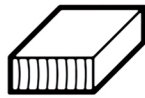
## Wood Stud Installation Guide

When installing the Synergiee Weight Plate Storage Rack it is recommended to use our guide when mounting on drywall with studs spaced 16" apart.

### Tools and materials required:



11/16" (17mm)  
socket



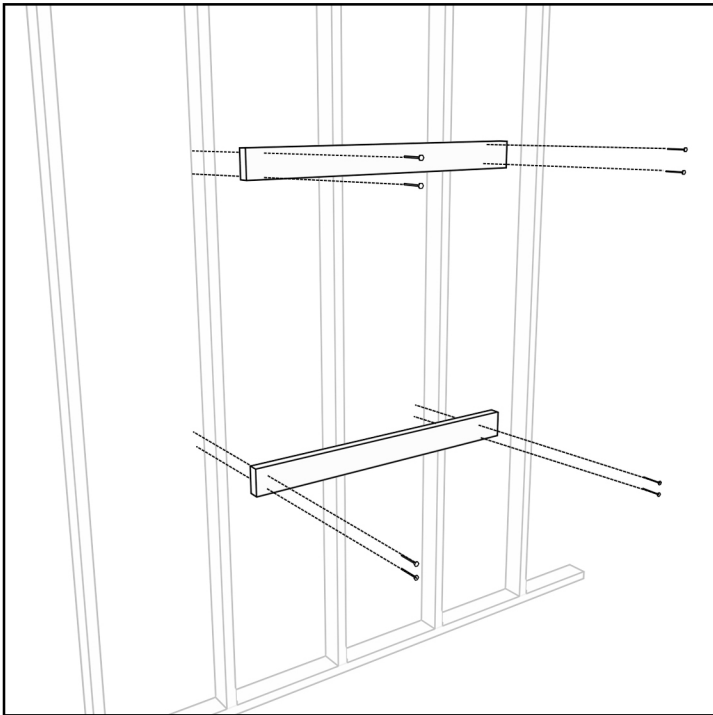
8' 2x4" Board  
NOT INCLUDED!



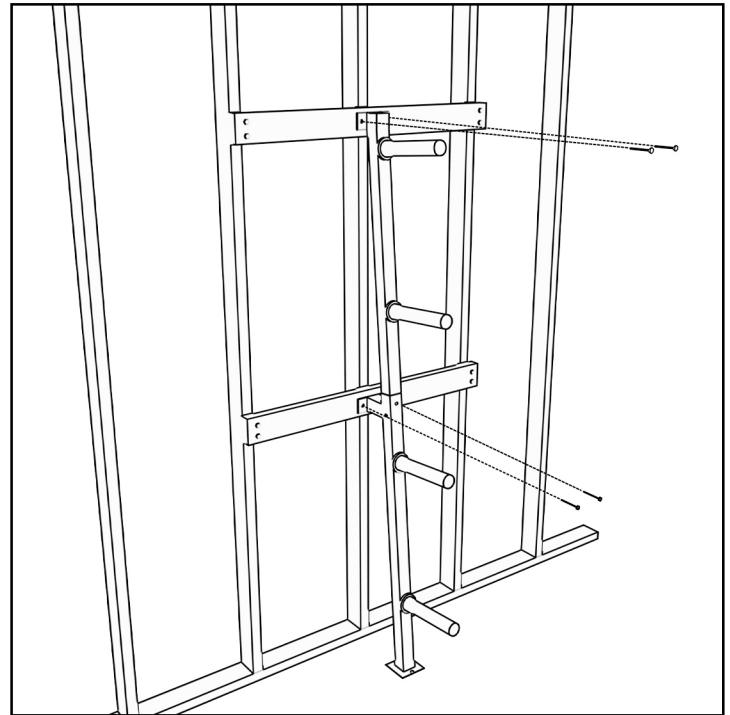
8 lag bolts  
NOT INCLUDED!



POWER DRILL  
NOT INCLUDED!



**STEP 1:** Purchase a standard 8' 2x4 from your local hardware store. Have them cut the board in half. Mount the boards using lag bolts and ensure you make contact with 2 studs as shown above.



**STEP 2:** Mount the rack to the inside stud using the provided lag bolts. Ensure all bolts are tight.

**NOTE:** Floor mounts may also be installed to secure the wall rack in place. Whether installing to wood or concrete, they are not necessary, but they provide an additional level of stability.

# Synergiee Weight Plate Storage Rack

## Concrete Installation Guide

### Tools Required:



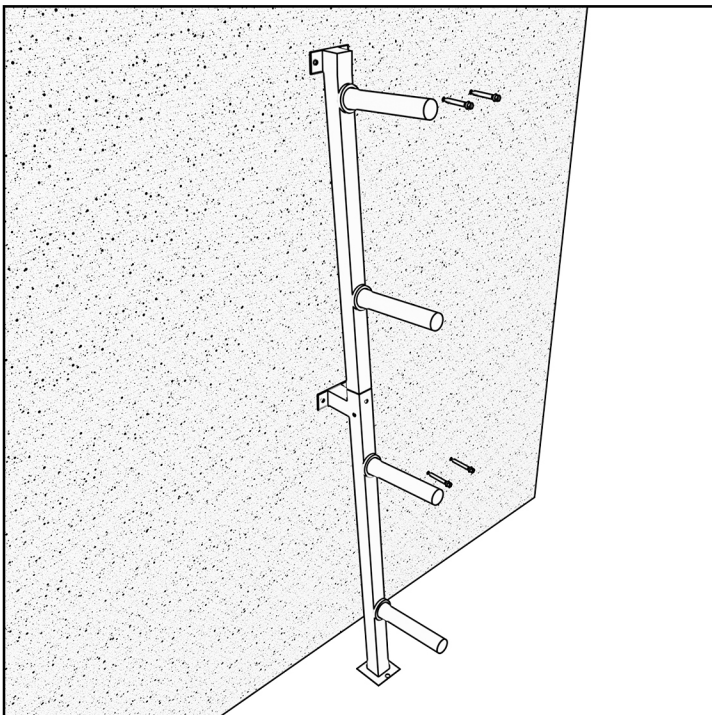
9/16" (14mm)  
socket



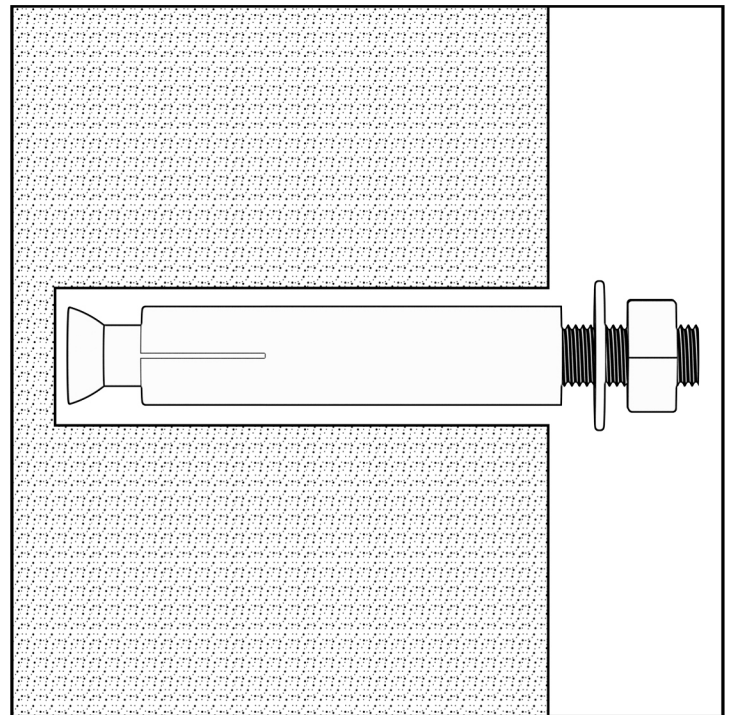
1/2" DRILL BIT  
NOT INCLUDED!



POWER DRILL  
NOT INCLUDED!



**STEP 1:** Drill 1/2" pilot holes into the concrete wall where you want to mount the rack.



**STEP 2:** Using a 9/16" socket, screw in the provided concrete bolts and tighten until the rack is secured.

**NOTE:** Floor mounts may also be installed to secure the wall rack in place. Whether installing to wood or concrete, they are not necessary, but they provide an additional level of stability.