


# NATURAL GAS KIT

6000 series outdoor pizza ovens

from the makers of  
 pizzacraft®

Makes great tasting,  
traditional Italian pizza –  
with bubbly cheese, crispy  
crust & toasty toppings.

## OWNER'S MANUAL

**IMPORTANT:** This instruction manual contains important information necessary for the proper assembly and safe use of the appliance.

Read and follow all warnings and instructions carefully before assembling and using the appliance. Keep this manual for future reference.



Pizzeria Pronto®  
PizzaQue®  
Pizzacraft®  
PC6018  
CS1214

©The Companion Group 2014  
1250 9th Street, Berkeley, CA 94710  
800-521-0505  
info@companion-group.com

# TABLE OF CONTENTS

<b>Safety Information .....</b>	<b>3</b>
<b>Assembly Instructions .....</b>	<b>5</b>
<b>Operation Instructions .....</b>	<b>13</b>
<b>Troubleshooting.....</b>	<b>14</b>
<b>Warranty and Registration .....</b>	<b>15</b>

# SAFETY INFORMATION

## A. IMPORTANT: Before you begin...

1. Read and follow all instructions carefully.
2. **WARNING: Connection to gas source must be done by a certified plumber.**
3. Installation must be made in accordance with any local codes or regulations, or in the absence of local codes of regulations, in accordance with the National Fuel Gas Code (NFPA 54/ANSI Z223.1).
4. This device is only intended for use outdoors with portable appliances that may be moved for convenience of operation.
5. The hose and fittings are designed for movement after installation, but must not be kinked, twisted or torqued.
6. The hose and fittings should be visually inspected periodically to determine that they have not been damaged, and are suitable for continued use.
7. Protect the hose and fittings from dust, dirt and damage when not in use. Insert the plastic plug in the socket and the cap over the hose end plug whenever the hose is removed from the socket.
8. Perform "leak test" by following "Leak Test Instructions" on pg.12.
9. Only use the Quick Connect Socket with the provided hose end plug.

## B. SPECIAL NOTES:

- This device requires outlet pressure of **7 inches** of water column.

- If pressure is greater than 1/2 psi, make sure that an inline regulator is present.

- Prior to 1998, all residual gas service regulators were set with an outlet pressure of 7 inches of water column.

- In the 1998 edition of NFPA 54, the National Fuel Gas Code, a change was made allowing service regulators of 2 and 5 psi.

- With this change it was also required that an inline regulator be connected between the service regulator and the appliance regulator if the 2 or 5 psi system is used. This additional regulator is not supplied with the product.

- It is possible for a consumer, making the connection themselves, or a plumber, not checking, to tap into a 2 or 5 psi line. If a pressure of 2 psi or greater is supplied to the appliance regulator on certain appliances it will shut down and not deliver any gas to the appliance. Additional concerns are raised by the fact that both the quick connect socket and the gas hose are only rated to 1/2 psi.

- If the quick disconnect socket, hose and oven are properly connected and still not getting gas, delivery pressure needs to be verified.

## DANGER

### **If you smell gas:**

1. Shut off gas to the appliance.
2. Extinguish any open flame.
3. Remove hood.
4. If odor continues, keep away from the appliance and immediately call your fire department.

**Failure to follow these instructions could result in fire or explosion, which could cause property damage, personal injury or death.**

## DANGER

1. Never operate this appliance unattended.
2. For outdoor use only.
3. Never operate this appliance within 48 inches (122 cm) of any structure, combustible material or other gas cylinder.
4. Never operate this appliance within 25 ft. (7.5 m) of any flammable liquid.
5. If a fire should occur, keep away from the appliance and immediately call your fire department. Do not attempt to extinguish an oil or grease fire with water.

**Failure to follow these instructions could result in fire or explosion, which could cause property damage, personal injury or death.**

### **CALIFORNIA PROPOSITION 65 WARNING:**

The burning of gas cooking fuel generates some by-products, which are on the list of substances known by the State of California to cause cancer, reproductive harm or other birth defects. This product may contain chemicals known to the state of California to cause cancer, reproductive harm or birth defects. To reduce exposure to these substances, always operate this unit according to the use and care manual, ensuring you provide good ventilation when cooking with gas.

# ASSEMBLY INSTRUCTIONS

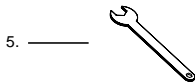
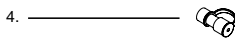
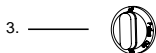
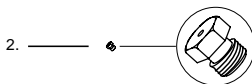
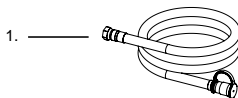
Before beginning assembly of product, make sure all parts are present. Compare parts with package contents and hardware contents list. Do not discard packing materials before assembly is complete. If any part is missing or damaged, do not attempt to assemble the product. Call customer service at 800-521-0505.

**Estimated assembly time: 30 minutes**

Tools required - #2 Phillips screw driver not included; all other required tools included

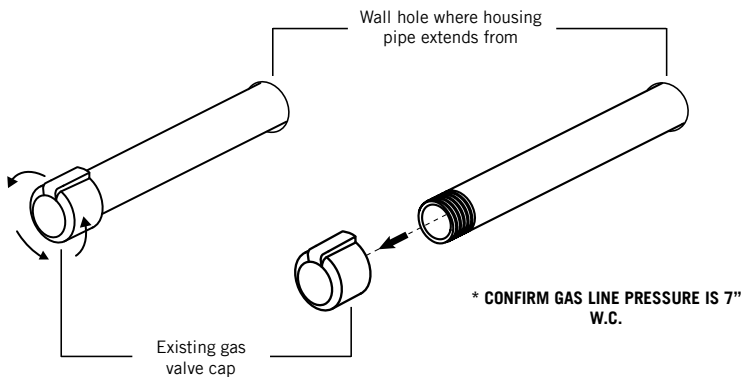
## PACKAGE CONTENTS:

1. 6' natural gas hose
2. Jet valve
3. Knob
4. Quick disconnect socket
5. Jet and hose combo wrench

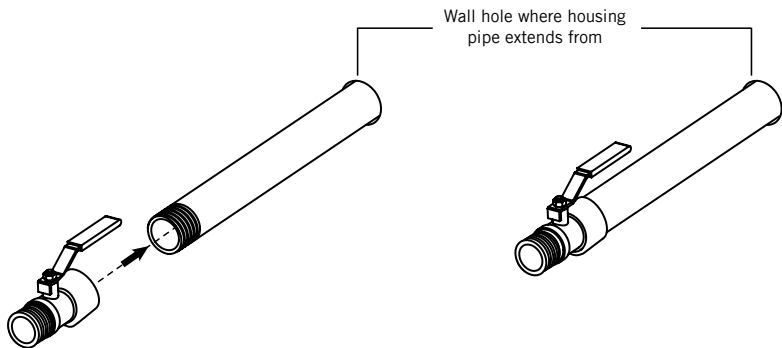


1. Shut off gas supply and remove cap from the outlet of the housing pipe.

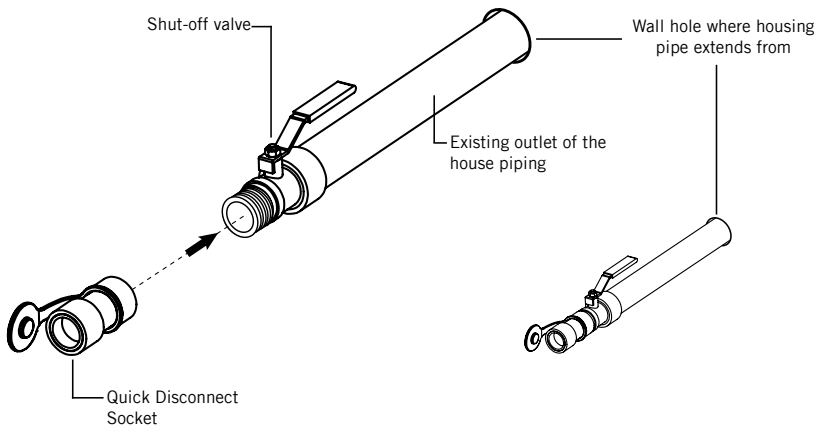
**WARNING: Connection to gas source must be done by a certified plumber.**



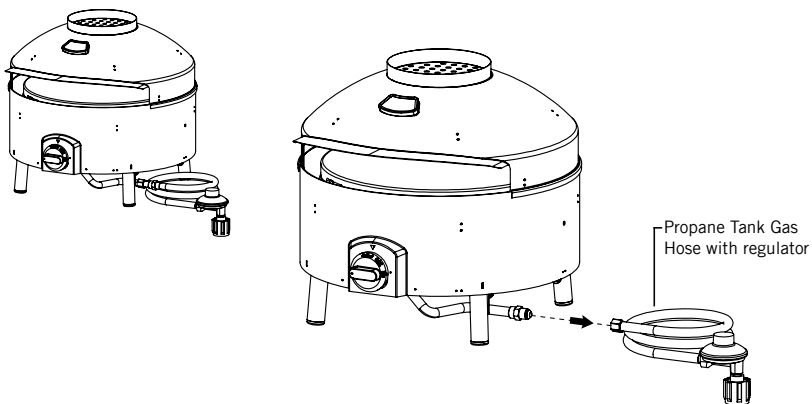
2. **RECOMMENDATION:** If not already equipped, install a shut-off valve on the gas supply side before installing the Quick Connect Socket.



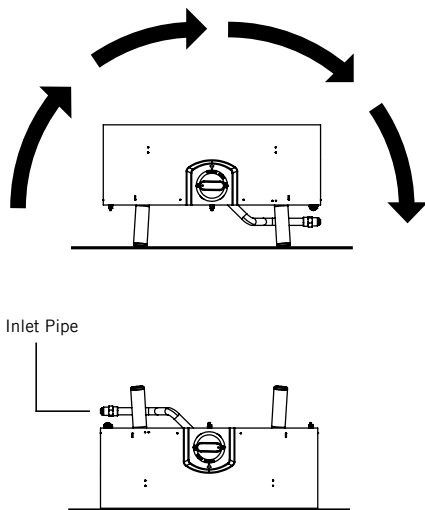
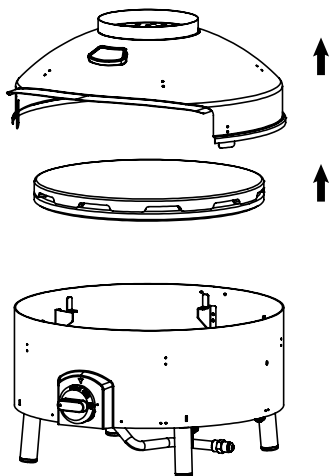
3. Coat the 3/8 NPT MALE outlet of the house piping with gas resistant pipe dope. Attach the threaded end of the quick disconnect socket (note: the direction arrow of flow is indicated on the socket) to the threaded outlet of the house piping and tighten with hose wrench.



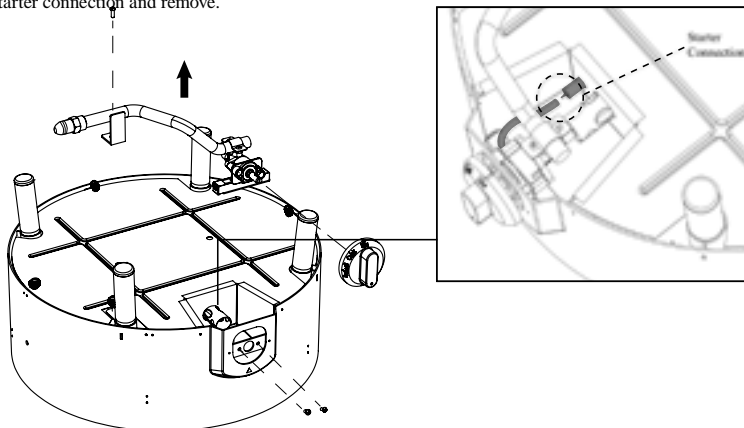
4. Disconnect the existing Gas Hose from appliance by unscrewing the 3/8 SAE FLARE FEMALE end of the hose from the 3/8 SAE FLARE MALE appliance inlet using the hose wrench provided.



5. Remove hood and pizza stones from oven and carefully set them aside. Flip oven base upside down to access the inlet pipe.

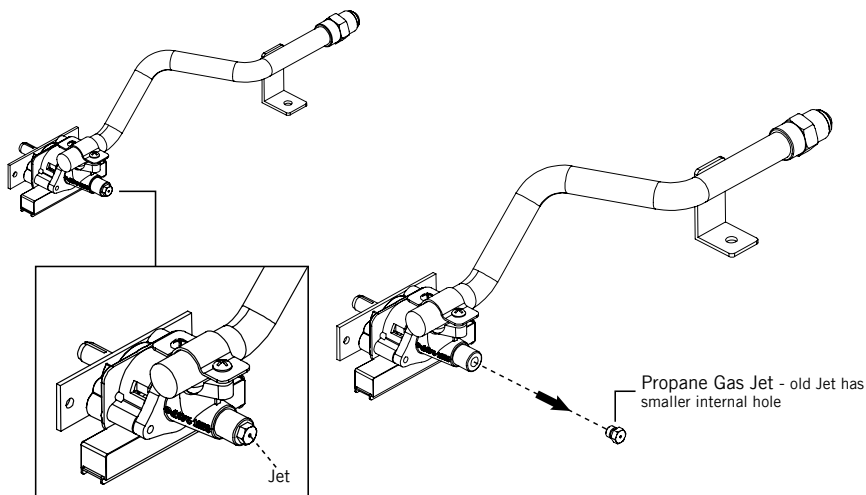


6. Remove the inlet pipe from the oven body by unscrewing the 2 screws on front of oven beneath the knob as well as the screw securing the inlet pipe mount underneath the oven. Disconnect the pipe inlet from the starter connection and remove.

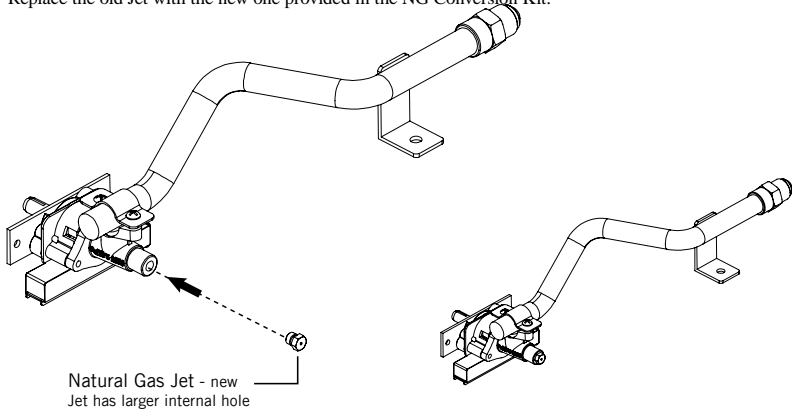




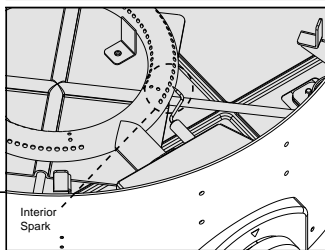
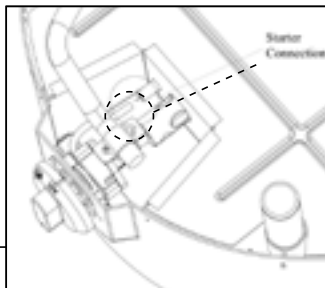
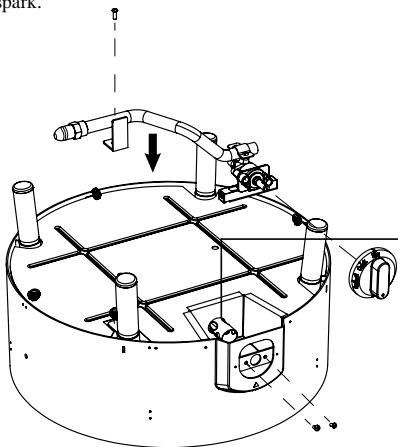
7. Uncrew the Jet from the interior end of the inlet pipe facing in toward the oven.



8. Replace the old Jet with the new one provided in the NG Conversion Kit.

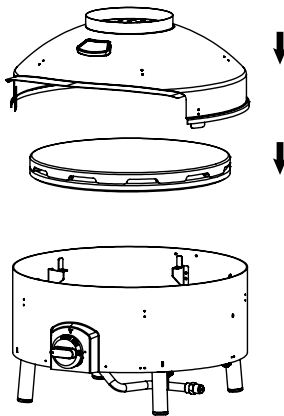
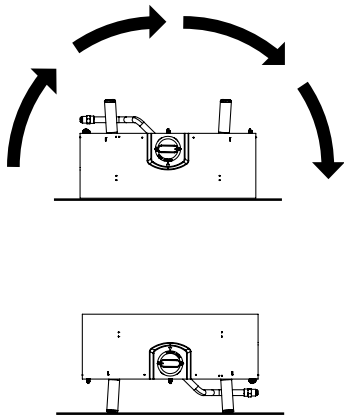


9. Replace inlet pipe. Insert gas inlet assembly into body as shown. Secure control valve with 2 supplied screws to body front then secure pipe support with the third M4x5 Phillips screw. Attach control knob by aligning the keyway and pushing onto valve spindle. **Connect starter wire from valve assembly to starter plug by firmly pushing it into place.** TEST and CONFIRM that starter is providing an interior spark.

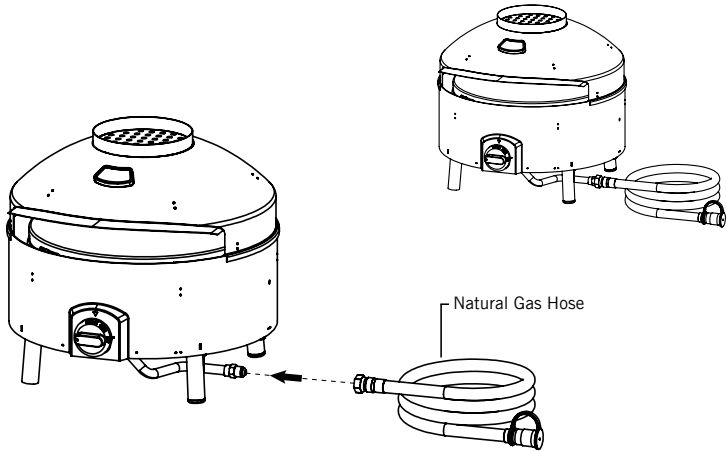


\*Flip over to TEST and CONFIRM that starter is providing an interior spark to Venturi tube.

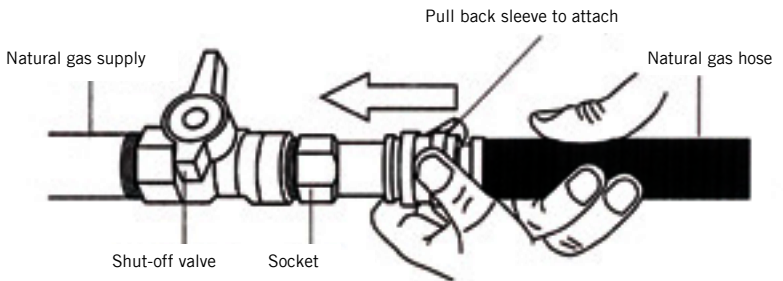
10. Carefully flip oven right side up and reassemble hood and pizza stones.



11. Attach the 6' Natural Gas Hose directly to the appliance by connecting the 3/8 SAE FEMALE end of the hose to the 3/8 SAE MALE appliance inlet and tighten with hose wrench.



12. Make sure all the appliance controls are turned **OFF** before connecting the hose to the quick disconnect socket. To connect the hose to the socket, pull back on the sleeve portion of the quick disconnect socket and insert the hose fitting into the socket. Release the sleeve and continue pushing the hose into the socket until the sleeve snaps into the locked position.



## LEAK TEST INSTRUCTIONS

**DANGER:** DO NOT use open flame to test for gas leaks. DO NOT perform leak test near any potential source of ignition. DO NOT SMOKE while performing the test. A fire or explosion could occur resulting in property damage, severe burn or even death.

1. Make sure the hose is NOT connected to the quick connect socket before proceeding.
2. Turn on gas supply.
3. Check socket and socket to house piping connection with ammonia free soapy water solution or leak detection solution. Bubbles that appear or grow in size indicate a gas leak.
4. **If there is a leak, turn off gas and then tighten fittings until bubbles do not appear at joints. If you cannot stop the gas leak, turn off the gas supply and have a qualified gas service technician perform repair. Do not attempt to use the Natural Gas Hose Assembly until all gas leaks have been repaired.**
5. Make sure all the appliance controls are turned **OFF** before connecting the hose to the quick connect socket. To connect the hose to the socket, pull back on the sleeve portion of the quick disconnect socket and insert the hose fitting into the socket. Release the sleeve and continue pushing the hose into the socket until the sleeve snaps into the locked position.
6. Check the socket to hose connection, the hose, the appliance to hose connection and the appliance (per manufacturer's instructions) for gas leaks with ammonia free soapy water solution or leak detection solution. Bubbles that appear to grow in size indicate a gas leak.
7. **If there is a leak, turn off gas and then tighten fittings until bubbles do not appear at joints. If you cannot stop the gas leak, turn off the gas supply and have a qualified gas service technician perform repair. Do not attempt to use the Natural Gas Hose Assembly until all gas leaks have been repaired.**
8. Rinse off leak test solution with clean water after performing leak test.

### WARNING

Do not attempt to operate your oven with propane gas while using your Natural Gas setup. Replace propane setup, including replacing the jet, gas hose and regulator, before reattaching to propane gas.

### WARNING

Do not use charcoal briquettes or any other flammable material with your oven. Use of such material will void your warranty and may lead to a fire, explosion and bodily harm.

### WARNING

Never use a match or open flame for leak detection. Use of an open flame could result in a fire, explosion and bodily harm.

# OPERATING INSTRUCTIONS

## BREAKING IN YOUR OVEN

When firing your oven for the first time, it is advisable to run the burner on “HIGH” for 20 minutes and then turn the oven off and let cool to room temperature. This tempers the oven and once cool is ready for use. *Note that each burner has been tested before it left the factory, discoloration of the metal is a natural result of the material being heated.*

## OVEN LIGHTING INSTRUCTIONS

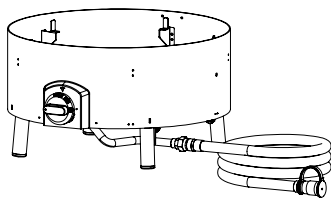
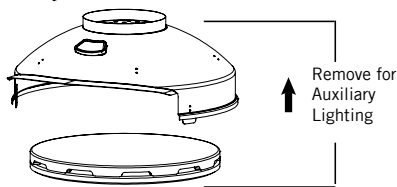
### To Light the Burner:

1. Make sure the control knob is in the “OFF” position.
2. Make sure chimney vent in the hood is unobstructed and rain cover is removed.
3. Open shut-off valve to start gas flow to oven.
4. Push the control knob in and turn to the left to “HIGH” position until it clicks. Repeat quickly for 5 seconds until burner lights.
5. If the burner does not ignite within 5 seconds, immediately turn control knob back to “OFF” position. Wait 5 minutes and repeat step 4 again.
6. If the burner still does not ignite, TURN OFF THE GAS. WAIT 5 MINUTES for excess gas to dissipate.
7. If the burner still can't be lit, refer to the troubleshooting section.
8. If the burner flame is accidentally extinguished during cooking repeat steps 1-7.
9. Keep the tank valve closed when not in use.
4. Remember to keep face and hands away from burner area.
5. Push the control knob in and turn the knob to the left to “HIGH” position until it clicks. Repeat quickly for 5 seconds until the burner lights.
6. Once lit set burner to low and using heat resistant gloves replace stones and hood in place. Return knob to high for preheating.
7. If the burner does not ignite within 5 seconds, immediately turn control knob back to “OFF” position. Wait 5 minutes and repeat step 5 again.
8. If the burner still does not ignite, TURN OFF THE GAS. WAIT 5 MINUTES for excess gas to dissipate.
9. If the burner still can't be lit, refer to the Troubleshooting section or call customer service at 800-521-0505.
10. Keep the tank valve closed when not in use.

## AUXILIARY LIGHTING INSTRUCTIONS

### To Light the Burner:

1. Make sure the control knob is in the “OFF” position.
2. Remove the hood and two baking stones and set aside. If oven is hot from previous cooking use extreme caution handling oven components. Use heat-resistant gloves and place components on a heat-resistant surface.
3. Open shut-off valve to start gas flow to oven.



# TROUBLESHOOTING

PROBLEM	CAUSE	SOLUTION
Burner will not light	No spark	Check black wire is connected to starter plug (pg. 8 - step 6)
		Follow auxiliary starter instructions to confirm spark (pg. 13)
		Sparking pin distance has been changed (adjust pin for stronger spark)
	No gas flow to burner	Check for kink in hose
Check for gas leaks in connections (soap test - pg. 12)		
Bottom of pizza burning	Stone too hot	Turn down burner, wait 5 minutes
		Use aluminum screen or aluminum pizza peel under pizza
		Precook toppings
Bottom not cooking quickly	Stone too cold	Preheat longer / Turn oven temperature up
Oven not hot enough	Wind pulls heat from the oven	Protect from the wind
Oven too hot	Too much flame	Turn down the burner
Excessive smoke coming from oven	Crumb tray needs to be cleaned	Let cool, clean tray
Yellow flame	Venturi clogged	Clean burner tube
Burner self extinguishes	Supply line damaged or leaking	Replace line

## **WARRANTY AND REGISTRATION**

We guarantee our products for one year from date of purchase for defects in manufacture or materials. We will repair or replace at our option. Proof of purchase is required.

**For replacement parts call 800-521-0505**

