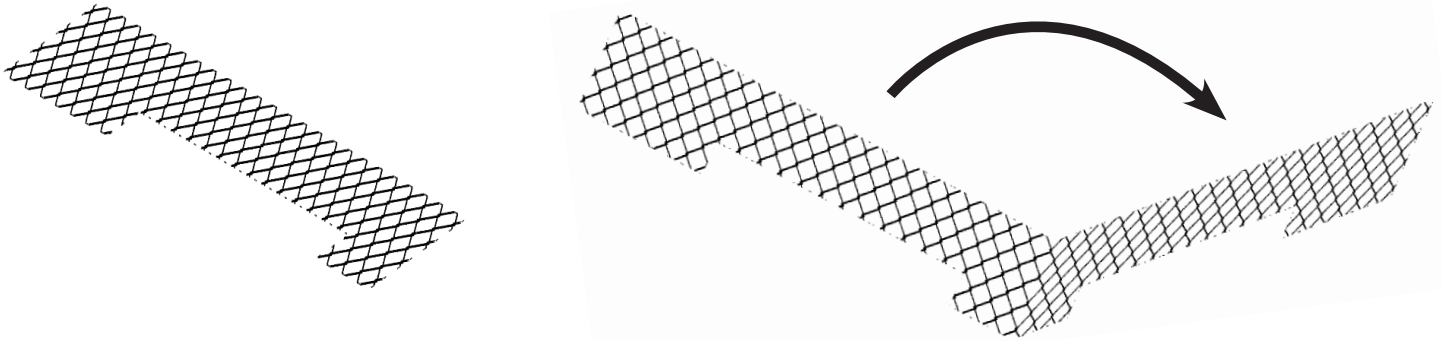


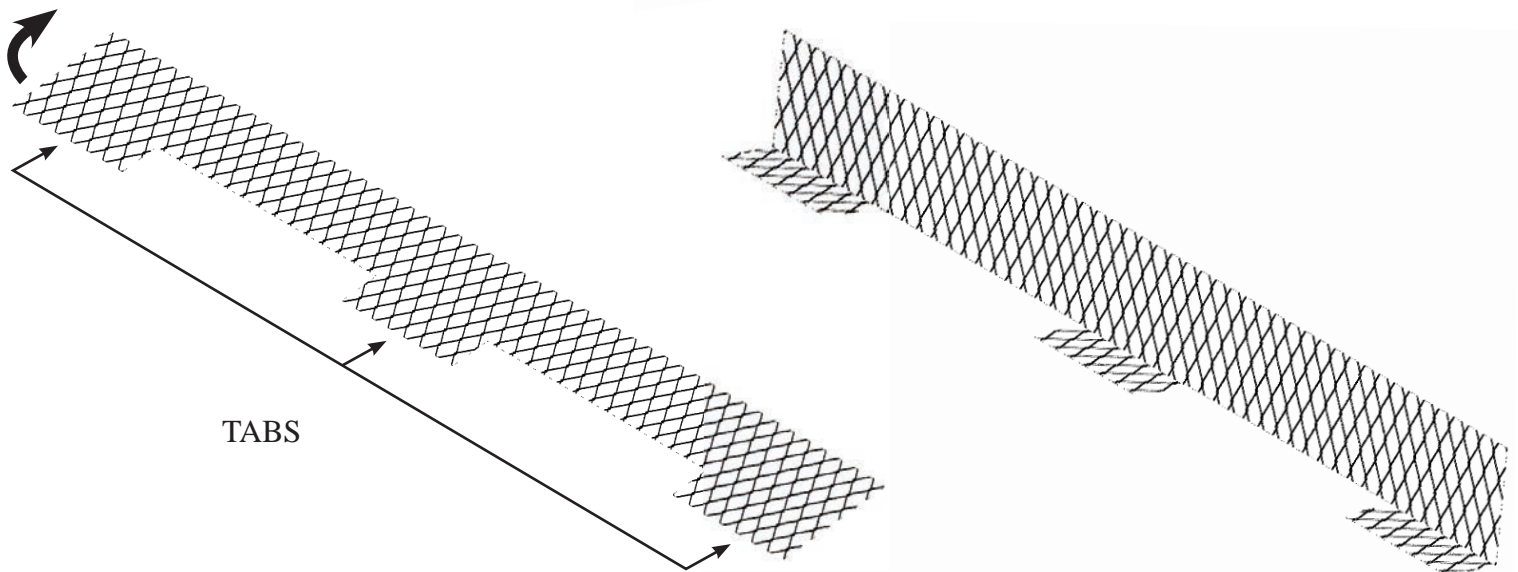
PIZZA OVEN BACKSTOP

from the makers of
pizzacraft[®]

1. Remove PIZZA OVEN BACKSTOP from envelope, unfold and flatten.



2. Once flattened, bend tabs 90°, so they are facing the same direction.



3. Remove the hood and top stone and place the PIZZA OVEN BACKSTOP on top of the bottom stone. Align the BACKSTOP so it conforms to the stones shape at the rear edge of the bottom stone and sits inside the stone brackets, as shown below. Replace the top stone, making sure the BACKSTOP tabs are securely captured between the top and bottom stones. Replace the hood and now you're ready to cook pizza.

