



Protects Wood Against Fungal Decay  
Solid Wood Preservative

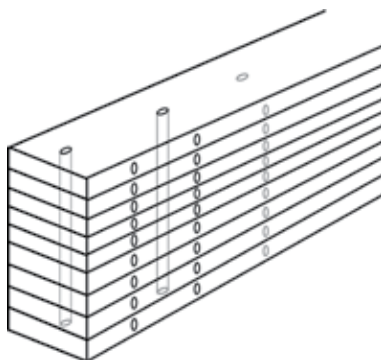


## Recommended Bor8 Rod Sizes and Spacing for Various Wood Dimensions

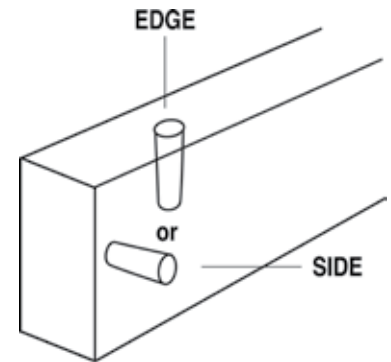
Nominal Wood Size	Rod Size	Hole Size (dia x depth)	Space between Holes	Rods Per Hole
<b>DIMENSIONAL LUMBER</b>				
1 x 1	1/4 x 1/2	1/4 x 3/4	3	1
1 x 2	1/4 x 1/2	1/4 x 1 1/2	6	2
2x4 Side	1/4 x 1/2	1/4 x 1	4	1
2x4 Edge	1/3 x 1	3/8 x 3	6	1
2x6 Side	1/4 x 1/2	1/4 x 1	4	1
2 x 6 Edge	1/3 x 2 5/8	3/8 x 3 3/4	8	
2x8 Side	1/4 x 1/2	1/4 x 1	6	1
2x8 Edge	1/3 x 2 5/8	3/8 x 6	6	2
2x10 Side	1/4 x 1/2	1/4 x 1	6	1
2x10 Edge	1/3 x 2 5/8	3/8 x 6	12	3
2x12	1/4 x 1/2	9/16 x 6	6	1
2x12	1/3 x 2 5/8	9/16 x 9	9	4
4x4	1/2 x 2	9/16 x 2 3/4	9	1
4x6 Side	1/2 x 2	9/16 x 3 3/4	9	1
4x6 Edge	1/2 x 4	9/16 x 5	12	1
4x8 Side	1/2 x 2	9/16 x 4 3/4	9	1
4x8 Edge	1/2 x 4	9/16 x 6	8	1
4 x 10 Side	1/2 x 2	9/16 x 3	9	1
4 x 10 Edge	1/2 x 4	9/16 x 7	11	1
4x12 Side	1/2 x 2	9/16 x 3	9	1
4x12 Edge	1/2 x 4	9/16 x 8	9	1
6 x 6	1/2 x 4	9/16 x 4 3/4	12	1
6 x 6	3/4 x 3	13/16 x 5 1/2	19	1
8 x 8	1/2 x 4	9/16 x 6	6	1
8 x 8	3/4 x 3	13/16 x 6	10	1
8 x 10 Side	1/2 x 4	9/16 x 6	6	1
8 x 10 Edge	1/2 x 4	9/16 x 9	10	2
8 x 10 Side	3/4 x 3	13/16 x 6	8	1
8 x 10 Edge	3/4 x 3	13/16 x 9	16	2
10 x 10	1/2 x 4	9/16 x 9	8	2
10 x 10	3/4 x 3	13/16 x 9	12	2

Nominal Wood Diameter	Rod Size	Hole Size (dia x depth)	Space between Holes	Rods Per Hole
<b>WOOD LOG</b>				
2	1/3 x 1	3/8 x 1 1/2	6	1
3	1/2 x 2	9/16 x 2 1/2	6	1
4	1/2 x 2	9/16 x 3	12	1
5	1/2 x 2	9/16 x 4	9	1
6	1/2 x 4	9/16 x 5	12	1
6	3/4 x 3 (NR)	13/16 x 4 1/2	20	1
8	1/2 x 4	9/16 x 6	7	1
8	3/4 x 3	13/16 x 6	12	1
10	1/2 x 4	9/16 x 9 1/2	15	2
10	3/4 x 3	13/16 x 8	7	1
12	1/2 x 4	13/16 x 8	7	2
12	3/4 x 3	13/16 x 8	10	2
14	1/2 x 4	13/16 x 11	7	3
14	3/4 x 3	13/16 x 11	11	3
16	1/2 x 4	9/16 x 14	5	3
16	3/4 x 3	13/16 x 14	12	4
18	1/2 x 4	9/16 x 17	6	4
18	3/4 x 3	13/16 x 17	9	4
20	1/2 x 4	9/16 x 18	6	4
20	3/4 x 3	13/16 x 18	9	5

Glued Laminated beams should be treated on a case by case basis, but generally from the side using the 1/3 x 1" or 1/3 x 2 5/8" rods inserted into each lamina. About 6 -8" apart starting in the first inch and extending as far as it is exposed to rain.

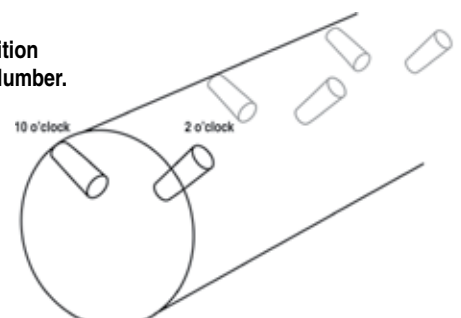


Borate Rod position on a wood beam.



Application of borate rod to edge or side of a wood beam depending on which side is exposed.

Borate Rod position on round wood lumber.



Application of borate rods to round wood lumber, either at 10 o'clock or 2 o'clock depending on what side is exposed.