

BEFORE INSTALLATION

1. Inspect the product immediately upon receipt from transit damage.
2. Handle the product with care and protect against knocks to all sides & edges of the glass.
3. Ensure there are no hidden pipes or cables in the wall before drilling.
4. If drilling holes in ceramic tiles, use a piece of masking tape on the tile to stop the drill bit from slipping.

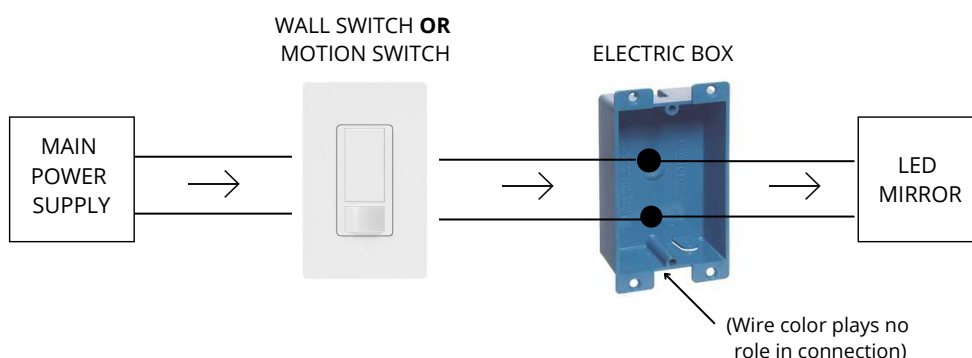
NOTE: All electric installation work should follow the local electrician regulations.

INSTALLATION INSTRUCTIONS

1. Turn off electricity before beginning.
2. Have a certified electrician install an electric box into the wall behind the mirror where it will be hung. From a dedicated wall switch, supply power to the electric outlet box. (refer to picture below)
3. Level & position the Z-Bracket on the wall where the mirror will be hung. Mark hole locations.
4. Drill holes on the marked locations and insert wall anchors into them.
5. Secure the Z-bracket to the anchors in the wall.
6. Connect mirror wiring to the wiring in the electric box from step 2.
7. Hang the mirror and check that it's securely attached.

HARDWIRE TO WALL SWITCH OR SENSOR

Connect wiring to your wall switch or connect it to a wall motion sensor for the mirror to turn On & Off automatically. Please note wall motion sensor is NOT included with the mirror.



AFTERCARE INSTRUCTIONS

1. Use a microfiber cloth for a streak-free shine.
2. Never use cleaning agents or abrasive materials.