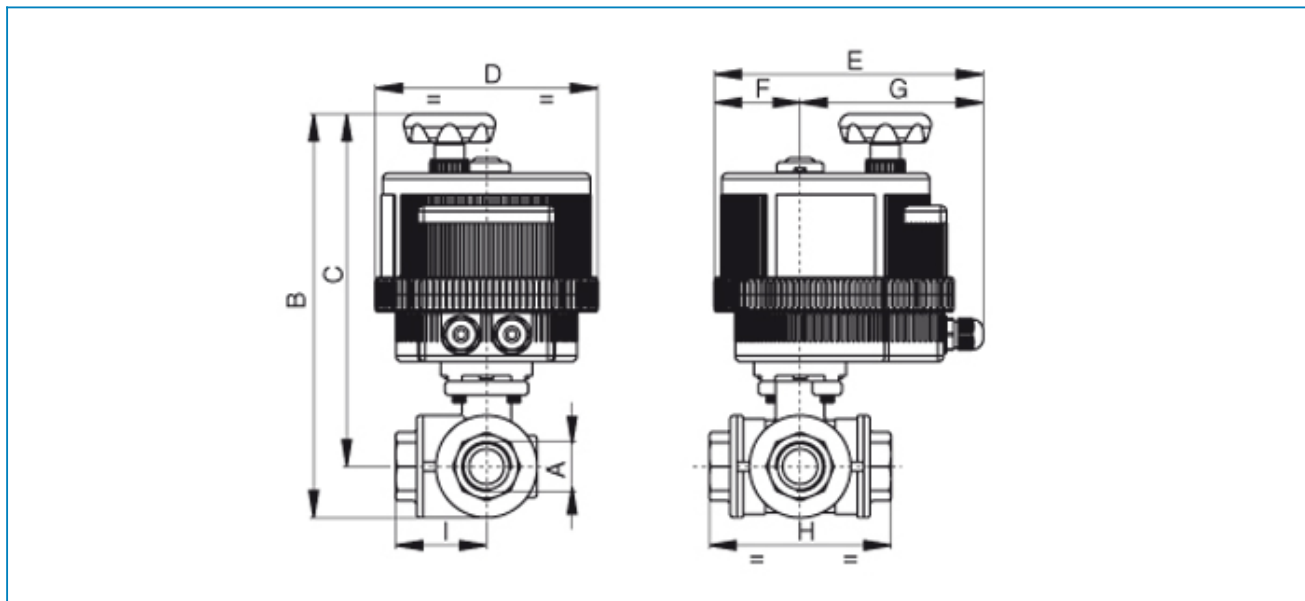




Serie **3 VIE**

Articolo **8E028 (T)*** - 8E029 (L)*****

3 way brass ball valve CW617N [RB Art. 3500 (T) - 3600 (L)], seals in PTFE+VITON, threaded F/F/F, full bore, "T" or "L" port, with electric actuator, not suitable for use with solvents.



PN	30	30	30	30	16	10	10	10
DN - A	1/4"	3/8"	1/2"	3/4"	1"	1"1/4	1"1/2	2"
B	190	190	195	208	265	284	332	356
C	173	173	175	184	235	248	289	300
D	123	123	123	123	157	157	185	185
E	164	164	164	164	191	191	215	215
F	43	43	43	43	61	61	68	68
G	121	121	121	121	130	130	147	147
H	67	67	77	87	105	123	139	166
I	34	34	39	44	53	62	70	83
ACT.	VB 015	VB 015	VB 015	VB 015	VB 030	VB 030	VB 060	VB 060
RI	3798	3798	3798	4023	4023	4023	4024	4024

*** CODICE TENSIONE PER ORDINAZIONE

VOLTAGE SUPPLY ORDER CODE

PER MOD. VB015 FOR MOD. VB015	12V AC/DC + 001	24V AC/DC + 002	100-240V AC + 004
	12V DC + 001		
PER MOD. VB30÷350 FOR MOD. VB30÷350			

IN FASE D'ORDINE DEFINIRE LA POSIZIONE DELLA SFERA - PLEASE SPECIFY THE FLOW PATH WHILE ORDERING.