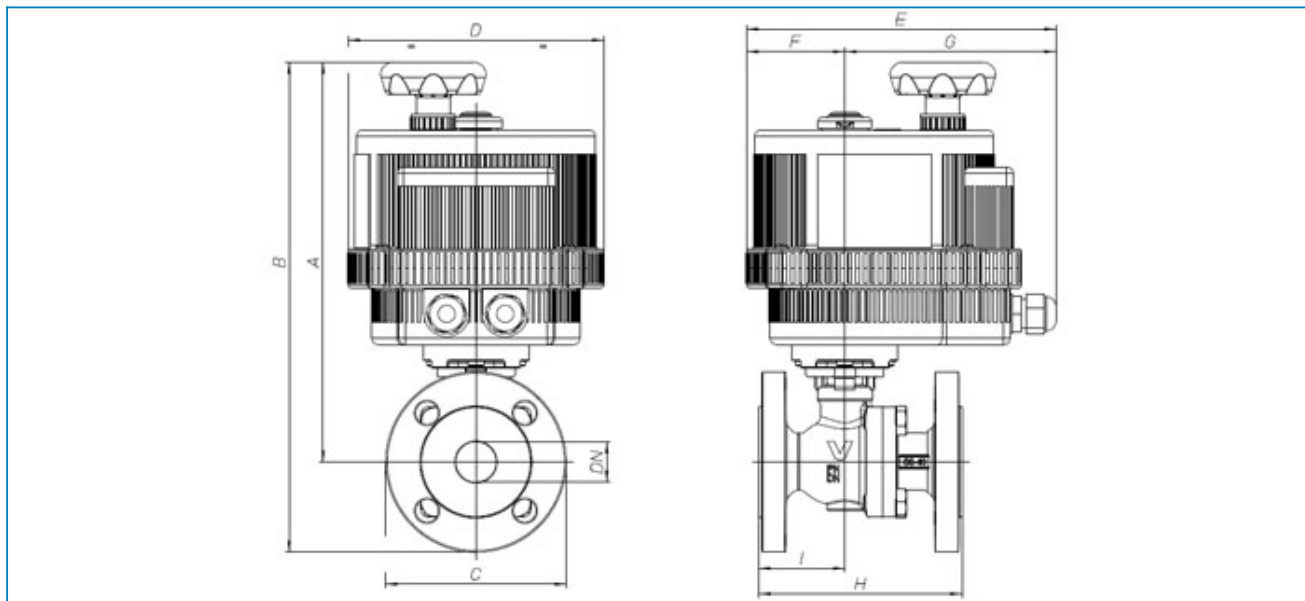




Serie **2 VIE**

Articolo **8E185*****

Flanged PN16 stainless steel AISI 316 CF8M ball valve, full bore Split Body type [Valpres art. 765000] ISO 5211 pad direct, Fire Safe, Antistatic Device, EN558 basic series 27 face to face dimension. With electric actuator series 85.



| | | | | | | | |
|------|--------|--------|--------|--------|--------|--------|--------|
| DN | 25 | 32 | 40 | 50 | 65 | 80 | 100 |
| PN | 40 | 40 | 40 | 40 | 16 | 16 | 16 |
| A | 246 | 286 | 295 | 305 | 343 | 352 | 367 |
| B | 304 | 356 | 370 | 387 | 436 | 452 | 477 |
| C | 115 | 140 | 150 | 165 | 185 | 200 | 220 |
| D | 157 | 185 | 185 | 185 | 211 | 211 | 211 |
| E | 191 | 215 | 215 | 215 | 237 | 237 | 237 |
| F | 61 | 68 | 68 | 68 | 84 | 84 | 84 |
| G | 130 | 147 | 147 | 147 | 153 | 153 | 153 |
| H | 125 | 130 | 140 | 150 | 170 | 180 | 190 |
| øI | 53 | 55 | 52 | 58 | 63 | 76 | 80 |
| ACT. | VB030 | VB060 | VB060 | VB060 | VB110 | VB110 | VB190 |
| KIT | RI4579 | RI4580 | RI4581 | RI4581 | RI4584 | RI4584 | RI4586 |

*** CODICE TENSIONE PER ORDINAZIONE
VOLTAGE SUPPLY ORDER CODE

| | | |
|--------------------|--------------------|----------------------|
| 12V AC/DC + 001 | 24V AC/DC + 002 | 100-240V AC + 004 |
|--------------------|--------------------|----------------------|