

VALVE FEATURES

DN15 to DN100 (DN125 and DN150 consult)

DIN PN25 Nodular Iron GJS-400-18-LT (0.7043)
 DIN PN25 Bronze RG-10 (EN-1982 CuSn10-CC480K)
 DIN PN40 Carbon steel GP240GHN (1.0619)
 DIN PN40 Stainless steel CF8M (1.4408)

Stainless steel AISI 316L trim

Top guided standard construction

Connection Flanged EN and ANSI
 On request: Threaded BSP or NPT, BW, SW,...

Shut off capabilities:

- Class IV (metal to metal)
- Class VI (PTFE+GR seat)

On request, PEEK, NBR, EPDM seal, stellite faced seat,...

Full port as standard. Reduced port on request

Setting pressure 0,5 - 20 barg

Max. permissible temperature	0.7043 and 1.0619	-10 to 250°C
	1.4408	-30 to 250°C

Seal / Packing / Gaskets	VIRGIN PTFE UP TO 180°C
	PTFE+GRAPHITE UP TO 220°C
	PURE GRAPHITE UP TO 350°C

Special features

Handwheel regulation, specials gaskets, ...

Approvals

Quality system ISO 9001

Pressure equipment Directive according 97/23/CE

Atex Directive according 94/9/CE (pending to include).



Pressure relief valve it's used to maintain the pressure upstream of the valve to an adjusted set point.

When upstream pressure rises above a set point, the valve opens proportionally pressure rising.

This series of regulators is suitable for steam, gases (group 1 and 2) and liquids.

A relief pressure valve is not a safety valve, and then if necessary, an overpressure protection must be installed.


PRESSURE – TEMPERATURE RATINGS (according to EN12516-1 and EN 1092-2)

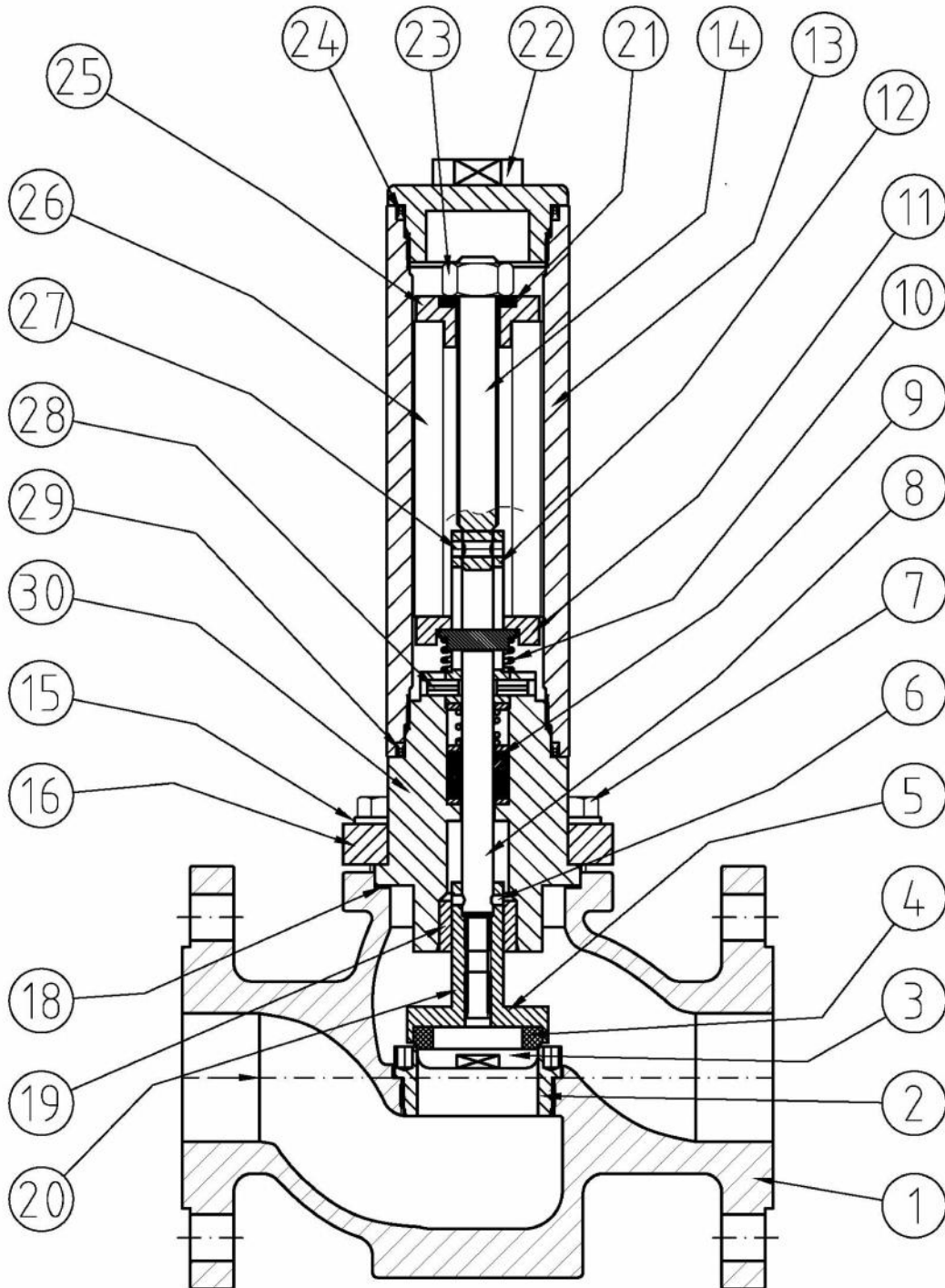
Nominal Pressure	Body material	Services temp.	°C	-10	50	100	150	200	250	300	350
PN25 – Class 150	Nodular Iron (0.7043) EN-GJS-400-18	Working pressure	bar	25	25	25	24	23	21	20	17
PN40 – Class 300	Carbon steel GP240GH (1.0619)		bar	40	40	36	35	34	33	30	29
PN40 – Class 300	Stainless steel AISI 316 (1.4408)		bar	40	38	33	30	28	26	25	24

Description		Material	Description		Material
1	Body	Nodular Iron GGG40.3 (1)	14	Regulation stem	Stainless steel AISI 304
		Carbon steel WCB (1)	15	Washer	Stainless steel A-2
		Stainless steel CF8M-316 (2)	16	Bonnet cover	Zinc plated steel 1.1191
2	Seat	Stainless steel AISI 316L	18	Gasket	Graphite + Inox
3	Guide	Stainless steel AISI 316L	19	Guide	Stainless steel AISI 316L + Ni
4	Seal	PTFE+Graphite / SS AISI 316L	20	Block Pin	Stainless steel AISI 316L
		Or EPDM, NBR, FKM, PEEK, ...	21	Bearing	Steel
5	Support seal	Stainless steel AISI 316L	22	Cover cap	Zinc plated steel 1.1191 (1)
6	Block Pin	Stainless steel AISI 316L			Stainless steel AISI 316L (2)
7	Bolts	Zinc plated steel 1.1191 (1)	23	Regulation nut	Zinc Steel 8.8
		Stainless steel A2-70 (2)	24	Sealing gasket	PTFE+Graphite+Inox
8	Stem	Stainless steel AISI 316L	25	Up support Spring	Zinc plated steel 1.1191
9	Packing	PTFE+GR (V-Rings)	26	Regulation Spring	Spring steel painted
		Virgin PTFE (V-Rings)			
		Spring SS AISI 302	27	Pin	Steel
10	Return spring+Pin	SS AISI 302 + SS 316	28	Packing pins	Stainless steel AISI 316L
11	Down support Spring	Zinc plated steel 1.1191	29	Sealing gasket	PTFE+Graphite+Inox
12	Packing cap nut	Zinc plated steel 1.1191 (1)	30	Bonnet	Zinc plated Steel 1.1191 (1)
		Stainless steel AISI 316L (2)			Stainless steel AISI 316L (2)
13	Cover	Zinc plated steel 1.1191 (1)			
		Stainless steel AISI 316L (2)			

Recommended spare parts



VALVE PARTS

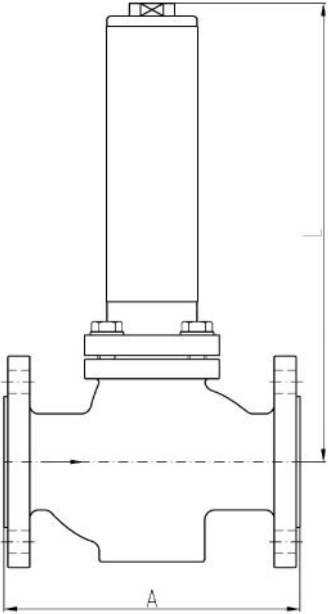
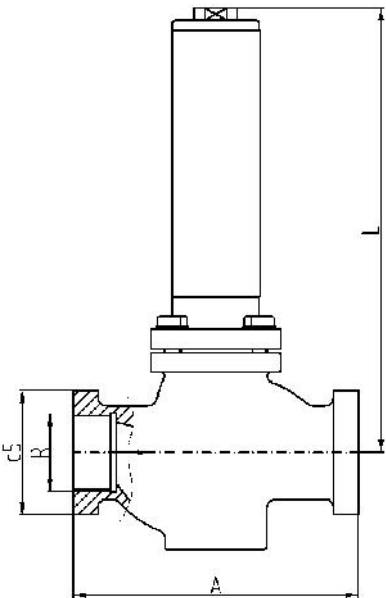




VALVE DIMENSIONS, WEIGHT AND Kv VALUES

DN		15	20	25	32	40	50	65	80	100
Kv	(m ³ /h)	3.5	5	9	15	22	35	60	85	130
Cv	(gpm)	4	5.8	10.4	17.5	25	41	70	100	152
A (EN 558-1)	(mm)	130	150	160	180	200	230	290	310	350
A ANSI150	(mm) (inches)			184 7,25"	-	222 8,75"	254 10"	276 10,86"	298.5 11,75"	352.5 13,88"
A ANSI300	(mm) (inches)			197 7,76"	-	235 9,25"	267 10,51"	292 11,5"	317.5 12,50"	368 14,49"
L (sealing cap)	(mm)	320	320	320	320	360	360	410	410	450
L (Handwheel)	(mm)	410	410	410	410	450	450	520	520	570
Weight	(kg)	10	10	12	13	16	18	30	40	50

Available under request

 <p style="text-align: center;">Flanged type</p>	 <p style="text-align: center;">Threaded type</p>	<p>The pressure relief valve S3 model works with direct action principle.</p> <p>When the force resulting from the upstream pressure p_1 exceeds the spring force adjusted at the set point springs, the valve opens proportionally to the change in pressure.</p> <p>The spring force is adjustable at the set point nut (item 23).</p> <p style="text-align: center;">Operating</p>
---	--	--



TYPICAL INSTALLATION S3 RELIEF VALVE

