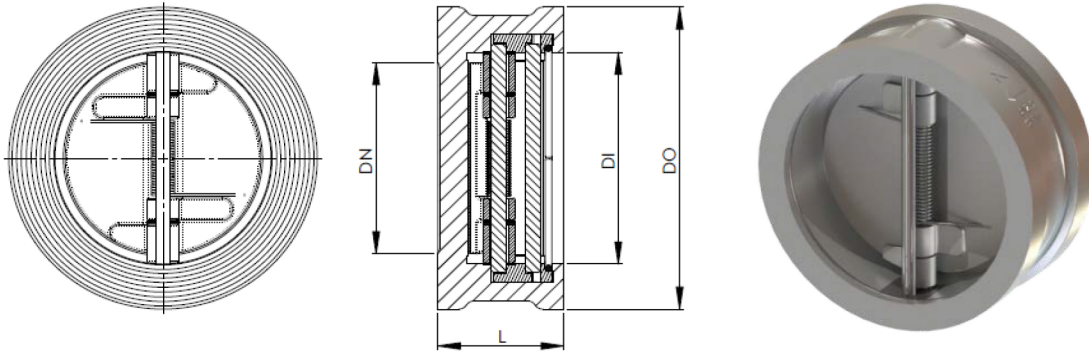




TWIN PLATE WAFER PATTERN CHECK VALVE



Nominal Size 'DN' (mm)	50	65	80	100	125	150	200	250	300	350	400	450	500	600	
Outlet Bore 'DI' (mm)	60	73	89	114	141	168	219	273	324	356	406	457	508	610	
Face to Face 'L' (mm)	(CL 150)	60	67	73	73	86	98	127	146	181	184	191	203	219	222
	(CL 300)	60	67	73	73	86	98	127	146	181	222	232	269	292	318
Outside Diameter 'DO' (mm)															
Approx Mass (kg)	3	4	5	7	14	15	30	50	85	100	165	185	250	400	

Working temperatures up to 593°C
 Working pressures up to 50 Bar
 Larger sizes and specials on request

Higher pressures on request
 Double flanged option available
 Solid lugged option available

Body	Bronze	Steel	LTCS	316 S.S.	Monel	Titanium	Hastelloy	Duplex SS
Pin Carriers	Bronze	316 S.S.	316 S.S.	316 S.S.	Monel	Titanium	Hastelloy	Duplex SS
Plates	Bronze	316 S.S.	316 S.S.	316 S.S.	Monel	Titanium	Hastelloy	Duplex SS
Pins	316 S.S.	316 S.S.	316 S.S.	316 S.S.	Monel	Titanium	Hastelloy	Duplex SS
Spring	Inconel (I)							
	Inconel-X (X)							
	Titanium (T)							
	Hastelloy (H)							
Ret. Clip	316 S.S.							
Lug Bearings	316 S.S.							
Seat	Metal (M)							
	Viton (V)							
	Buna (B)							

SPECIAL CHARACTERISTICS

- Lightweight
- Compact & Economical
- No leakpath to atmosphere
- Easily Installed
- Tight Shut-off (Resilient Seal)
- Anti-Slam
- Complies fully with API594
- Suitable for all common flanges