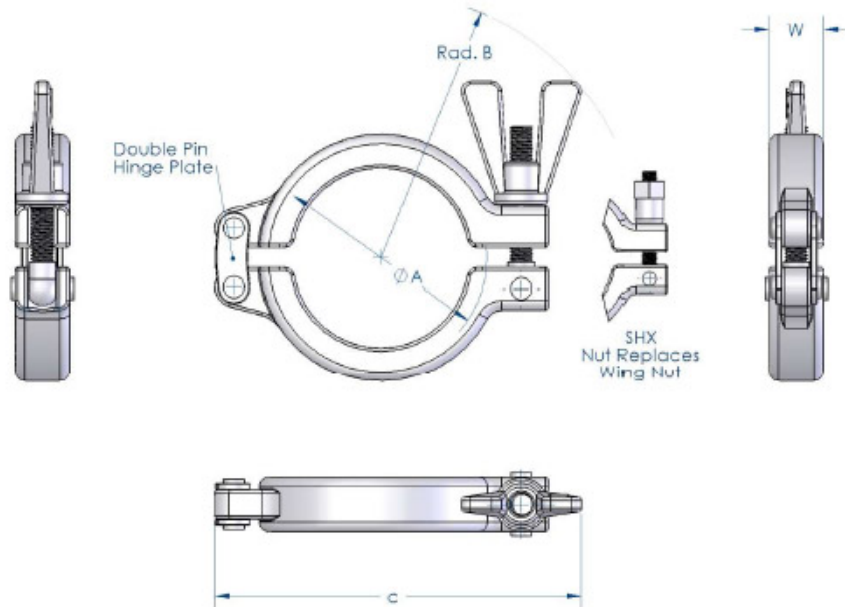


TRI-CLAMP DOUBLE HINGE STAINLESS STEEL CLAMP



Nominal Clamp Size	Dimension (mm)				Mass (kg)
	Flange ØA	Rad. B	Length C	Width W	
1/2" – 3/4"	25.4	63.0	75.0	17.0	0.15
1"-1 1/2"	50.5	77.0	102.0	17.0	0.25
2"	64.0	93.0	123.0	17.0	0.33
2 1/2"	77.5	100.0	140.0	17.0	0.38
3"	91.0	105.0	150.0	17.0	0.44
3 1/2"	106.0	110.0	165.0	17.0	0.44
4"	119.0	119.0	185.0	17.0	0.57
4 1/2"	130.0	119.0	191.0	17.0	0.60
5"	144.0	131.0	215.0	19.0	0.75
5 1/2"	155.0	155.0	252.0	24.0	1.39
6"	167.0	156.0	262.0	24.0	1.38
6 5/8"	183.0	164.0	280.0	24.0	1.61
8"	217.0	184.0	325.0	24.0	2.11
8 5/8"	233.0	185.0	333.0	24.0	2.25