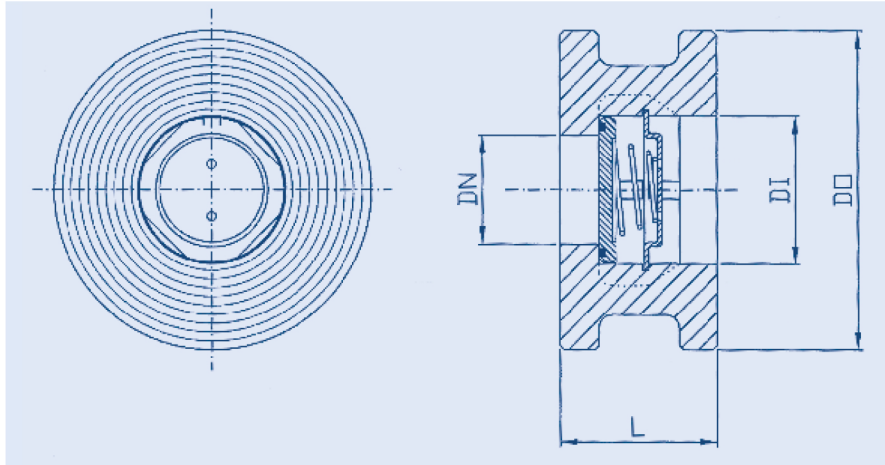




## SPRUNG DISK WAFER PATTERN CHECK VALVE



<b>Nominal size 'DN' (mm)</b>	15	20	25	40	50	65	80	100
<b>Outlet bore 'DI' (mm)</b>	23	28	34	50	61	76	92	112
<b>Length 'L' (mm)</b>	25	32	36	45	56	63	71	80
<b>Outside diameter 'DO' (mm)</b>								
<b>Weight (Kg)</b>	0.2	0.4	0.8	1.2	2.0	3.0	4.5	6.5

Working temperatures up to 593°C  
 Working pressures up to 100 Bar

<b>Body</b>	Bronze	316 S.S.	Hastelloy
<b>Retainer</b>	Monel	316 S.S.	Hastelloy
<b>Disc</b>	Bronze	316 S.S.	Hastelloy
<b>Spring</b>	Inconel-X	Suffix 'X'	
	Hastelloy	Suffix 'H'	
<b>Seat</b>	Metal	Suffix 'M'	
	Viton	Suffix 'V'	
	P.T.F.E.	Suffix 'P'	