

# TYPE "D"

## MATERIALS

### DESCRIPTION

SLK-Series is a direct loaded, carried exhaust and full lift safety valve manufactured with high quality materials which complies with the strictest international standards.

### PART CODE DESCRIPTION

**SLK C - xx DI xx - xxx**



### CHARACTERISTICS

Orifice diameter	10 mm	14 mm
Orifice area	0.785 cm <sup>2</sup>	1.54 cm <sup>2</sup>
Inlet connection	1/2" - 3/4" - 1"	3/4" - 1"
Outlet connection	1 1/2"	1"
ND inlet max.	25 mm	25 mm
ND outlet	25 mm	25 mm
Setting range	0,5 bar - 380 bar	0,5 bar - 180 bar
Discharge coefficient kd	0,94	0,94
Lift to discharge pressure	4.5 mm	6.5 mm
Overpressure	10%	10%
Blowdown	15%	15%
Temperature range	from -45° C to +200° C	from -45° C to +200° C
Fluids	Gas	Gas

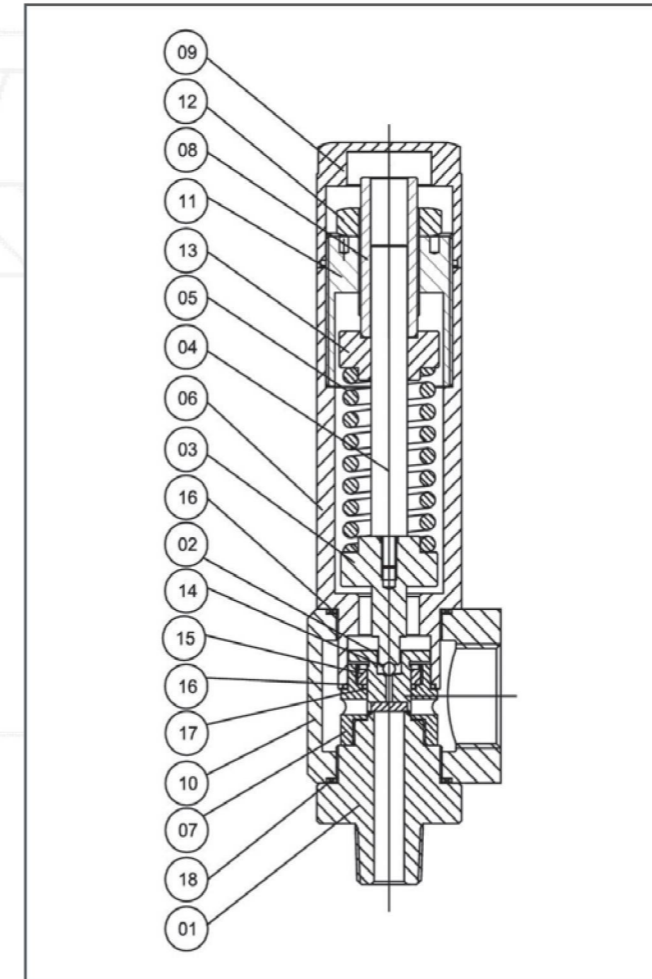
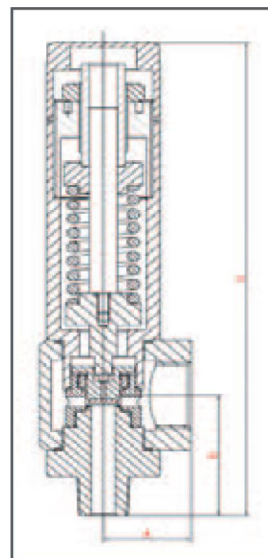
### TYPE APPROVAL

DIR. 97/23/CE - PED - H1 CERT. N° 01 202 IT/Q-12 1280 / Approval SLK series P 281 12 1118/d / Standard EN 4126-1

ISO 9001:2008 CERT. N° 01 100 125538

### DIMENSIONS

XX=Orifice	XX=Specification	Connections type		A	B	C	WEIGHT
		in	out				
10		1/2"	1 1/2" GAS-F	44	72	257	4,0
10		3/4"					
10		1"					
14		3/4"					
10		1"					



### PART NAME

### MATERIAL CODE

		055	038	011	012
01	NOZZLE	AISI 316L	AISI 316L	AISI 316L	AISI 316L
02	DISC	AISI 316L/PTFE	AISI 316L/PEEK	AISI 316L/PTFE	AISI 316L/PEEK
03	LOWER WASHER	CARBON. STEEL	CARBON. STEEL	AISI 316L	AISI 316L
04	STEM	BRASS	BRASS	AISI 316L	AISI 316L
05	SPRING	ALL. STEEL	ALL. STEEL	AISI 316	AISI 316
06	BONNET	CARBON. STEEL	CARBON. STEEL	AISI 316L	AISI 316L
07	GUIDE	BRASS	BRASS	AISI 316L	AISI 316L
08	SET SCREW	BRASS	BRASS	AISI 316L	AISI 316L
09	CAP	CARBON. STEEL	CARBON. STEEL	AISI 316L	AISI 316L
10	BODY	CARBON. STEEL	CARBON. STEEL	AISI 316L	AISI 316L
11	PRE SETT. SCREW	BRASS	BRASS	BRASS	BRASS
12	NUT	BRASS	BRASS	AISI 316L	AISI 316L
13	UPER WASHER	CARBON. STEEL	CARBON. STEEL	AISI 316L	AISI 316L
14	BALL	AISI 316	AISI 316	AISI 316	AISI 316
15	NUT	BRASS	BRASS	AISI 316L	AISI 316L
16	GASKET	VITON	VITON	HNBR	HNBR
17	GASKET	VITON	VITON	HNBR	HNBR
18	GASKET	VITON	VITON	HNBR	HNBR
19	GASKET	VITON	VITON	HNBR	HNBR