

TYPE "C"

MATERIALS

DESCRIPTION

SLK-Series is a direct loaded, carried exhaust and full lift safety valve manufactured with high quality materials which complies with the strictest international standards.

PART CODE DESCRIPTION

SLK C - xx CI xx - xxx



CHARACTERISTICS

Orifice diameter	10 mm	14 mm
Orifice area	0.785 cm ²	1.54 cm ²
Inlet connection	1/2" - 3/4" - 1"	3/4" - 1"
Outlet connection	1"	1"
ND inlet max.	25 mm	25 mm
ND outlet	25 mm	25 mm
Setting range	0,5 bar - 380 bar	0,5 bar - 180 bar
Discharge coefficient kd	0,94	0,94
Lift to discharge pressure	4.5 mm	6.5 mm
Overpressure	10%	10%
Blowdown	15%	15%
Temperature range	from -196° C to +200° C	from -196° C to +200° C
Fluids	Gas	Gas

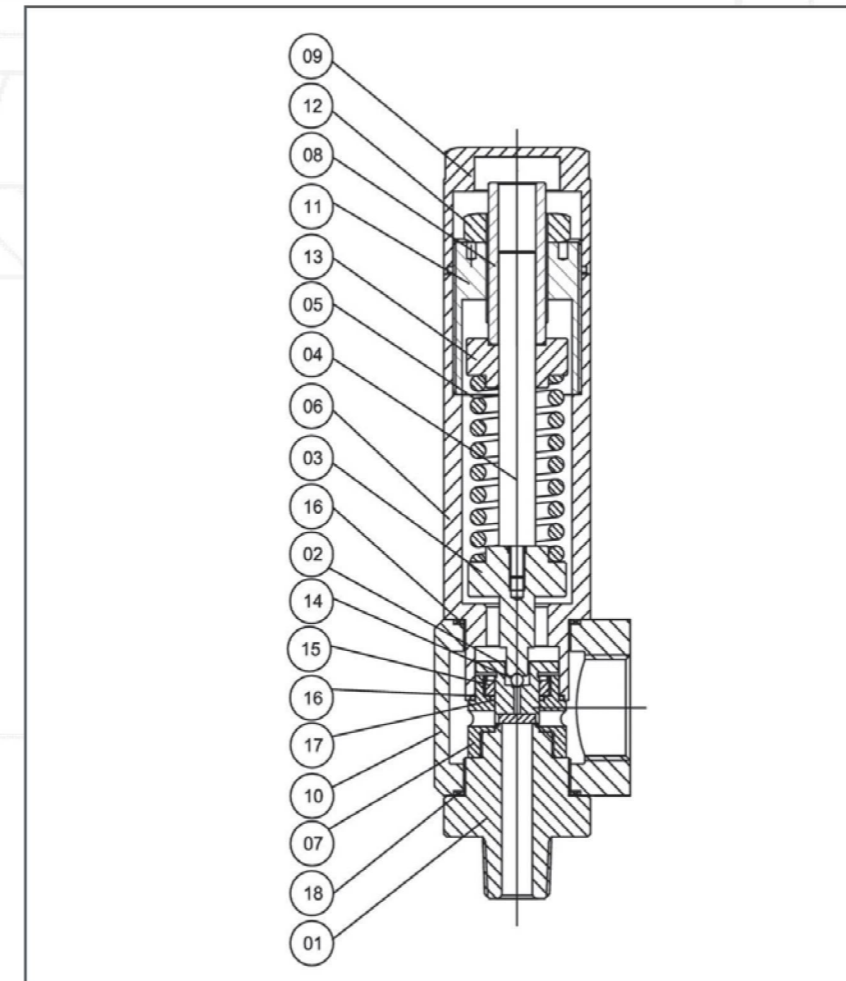
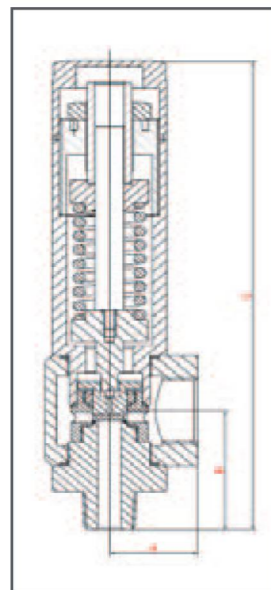
TYPE APPROVAL

DIR. 97/23/CE - PED - H1 CERT. N° 01 202 IT/Q-12 1280 / Approval SLK series P 281 12 1118/d / Standard EN 4126-1

ISO 9001:2008 CERT. N° 01 100 125538

DIMENSIONS

XX=Orifice	XX=Specification	Connections type		A	B	C	WEIGHT
		in	out				
10	03	1/2" NPT-M	1" NPT-F	37	72	248	3,0
10	26	1/2" NPT-F					
10	07	3/4" NPT-F					
14	03	3/4" NPT-F					
14	42	3/4" NPT-F					



PART NAME	MATERIAL CODE			
	055	038	011	012
01 NOZZLE	AISI 316L	AISI 316L	AISI 316L	AISI 316L
02 DISC	AISI 316L/PTFE	AISI 316L/PEEK	AISI 316L/PTFE	AISI 316L/PEEK
03 LOWER WASHER	CARBON. STEEL	CARBON. STEEL	AISI 316L	AISI 316L
04 STEM	BRASS	BRASS	AISI 316L	AISI 316L
05 SPRING	ALL. STEEL	ALL. STEEL	AISI 316	AISI 316
06 BONNET	CARBON. STEEL	CARBON. STEEL	AISI 316L	AISI 316L
07 GUIDE	BRASS	BRASS	AISI 316L	AISI 316L
08 SET SCREW	BRASS	BRASS	AISI 316L	AISI 316L
09 CAP	CARBON. STEEL	CARBON. STEEL	AISI 316L	AISI 316L
10 BODY	CARBON. STEEL	CARBON. STEEL	AISI 316L	AISI 316L
11 PRE SETT. SCREW	BRASS	BRASS	BRASS	BRASS
12 NUT	BRASS	BRASS	AISI 316L	AISI 316L
13 UPER WASHER	CARBON. STEEL	CARBON. STEEL	AISI 316L	AISI 316L
14 BALL	AISI 316	AISI 316	AISI 316	AISI 316
15 NUT	BRASS	BRASS	AISI 316L	AISI 316L
16 GASKET	VITON	VITON	VITON	VITON
17 GASKET	VITON	VITON	VITON	VITON
18 GASKET	VITON	VITON	VITON	VITON
19 GASKET	VITON	VITON	VITON	VITON