

Safety-Valve, with underpressure function

for non-toxic steam and gases, low pressure

Typ 98

Standard version:

Temperature ranges

Material: Inlet body

Typ 98.2: 1.4404

-10°C to 150°C

Connections:

Screwed connection: DIN ISO 228

soft seated

see techn. appendix: KWD-1

Approvals:

Pressure Equipment Directive: 97/23/EG

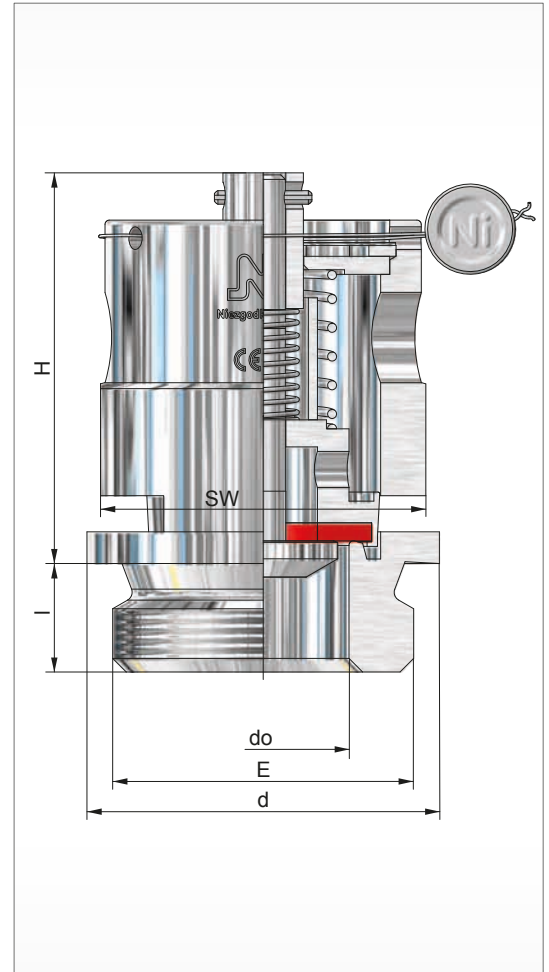
Declaration of Conformity



TÜV - Approval:

VdTÜV-leaflet AD 2000-leaflet A 2

TÜV • SV • XX-1066 • do • D/G • α_w • p



G1 - male



G1 - female

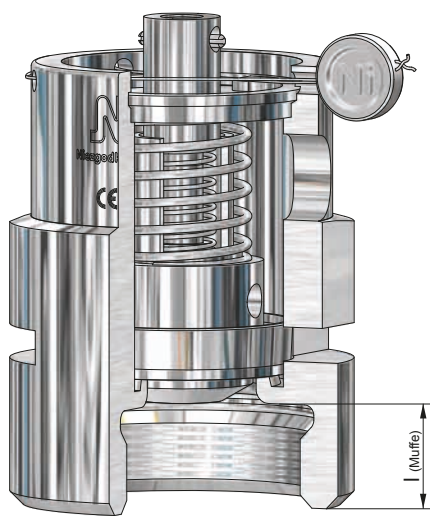
Size	Inlet				Outlet A	Dimensions		Height 'H'		Coefficient D/G α _w max.	Set pressure		Weight ~ [kg]
	E	d	l (G)	l (Muffe)		SW	do	H	p _{under pressure}		p _{overpressure}		
	[mm]	[mm]	[mm]	[mm]	[mm]	[mm]	[mm]	[mm]		[bar(g)]	[bar(g)]		
1	39	12	12	free	36	19	45	0,15	-0,03 -0,05	0,25 0,34 0,65	0,25		

other design on request

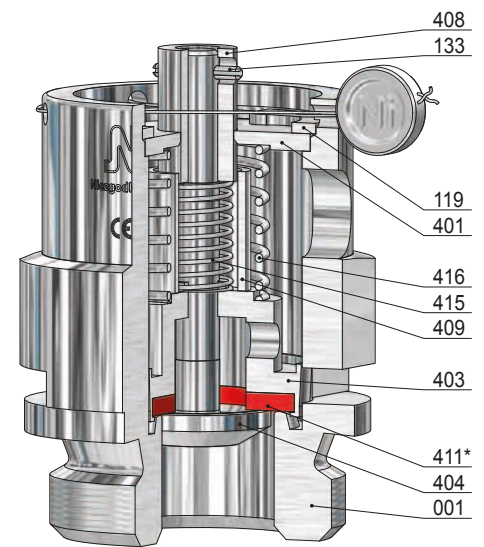
Safety-Valve, with underpressure function

for non-toxic steam and gases, low pressure

Typ 98



G1 - female



G1 - male

Item	Piece	Description	Item	Piece	Description
001	1	inlet body	415	1	underpressure spring
119	1	locking ring	416	1	overpressure spring
133	1	groove pin			
401	1	plate			
403	1	overpressure disc			
404	1	underpressure disc			
408	1	bush			
409	1	lift stopper			
411 *	1	soft sealing			

* expendable parts