

Vacuum-Relief-Valve, springloaded

for non-toxic steam and gases, for container with a liquid outlet

Typ 91

Standard version:

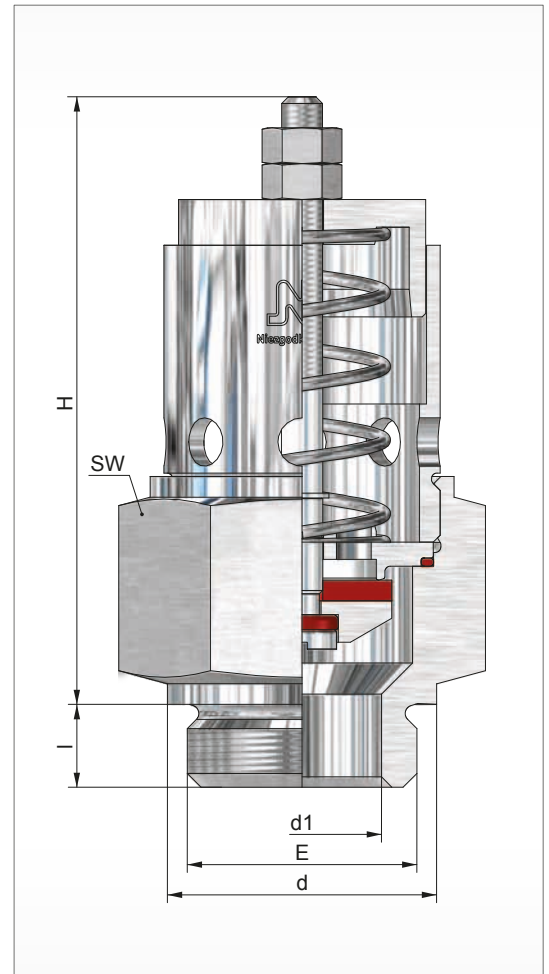
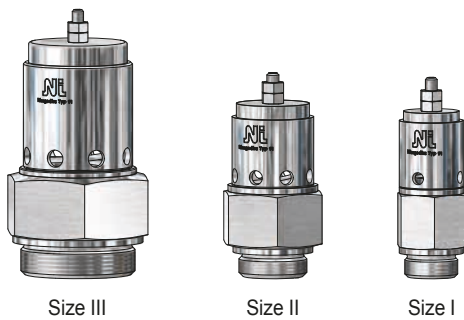
Operating temperature

Material: Inlet body / Bonnet pipe
Typ 91.2: 1.4571 / 1.4301 -60°C to 150°C
Typ 91.3: 2.0401 / 2.0401 -10°C to 130°C

Connections: soft seated
 Screwed connection: DIN ISO 228 see techn. appendix: KWD-1

Approvals:

Pressure Equipment Directive: 97/23/EG
 Declaration of Conformity



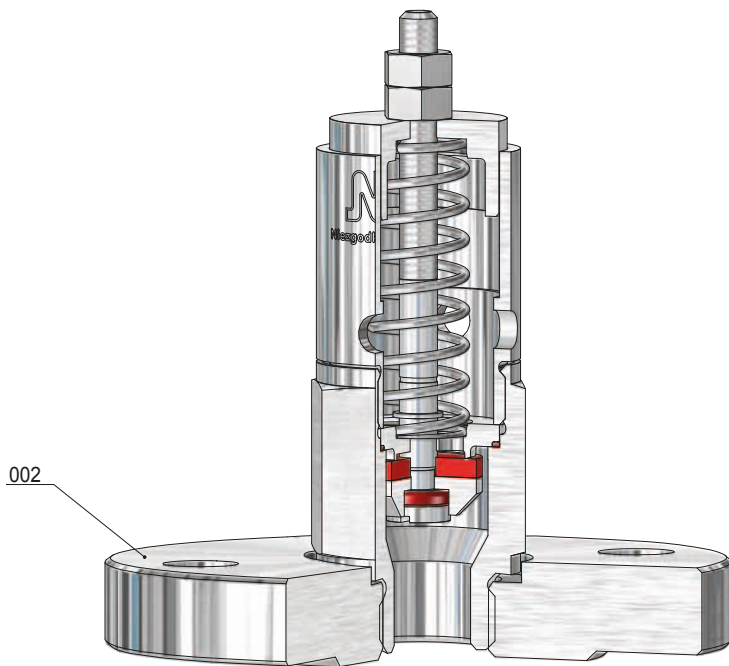
Size	Inlet			Outlet A	Dimensions		Height 'H'			Underpressure		Weight ~ [kg]		
	E	d	l (G)		SW	d1			H	p U min. [bar(g)]	p U max. [bar(g)]			
I	1/2	26	12	free	32	12			92	-0,05	-0,95	0,35		
	3/4	32				18								
II	1	39	12		46	23							92	0,52
	1 1/4	46	14			25								
III	1 1/2	55	14		60	38							125	1,25
	2	68				48								

other design on request

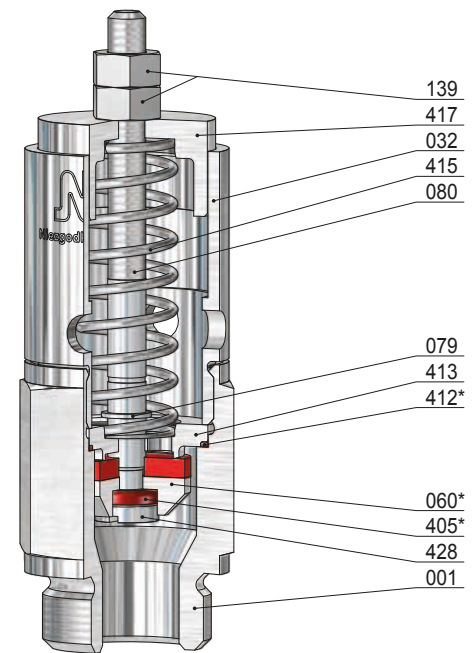
Vacuum-Relief-Valve, springloaded

for non-toxic steam and gases, for container with a liquid outlet

Typ 91



BG I
with Flange connection acc.
to DIN / ASME



BG I
with screwed connection acc.
to ISO 228

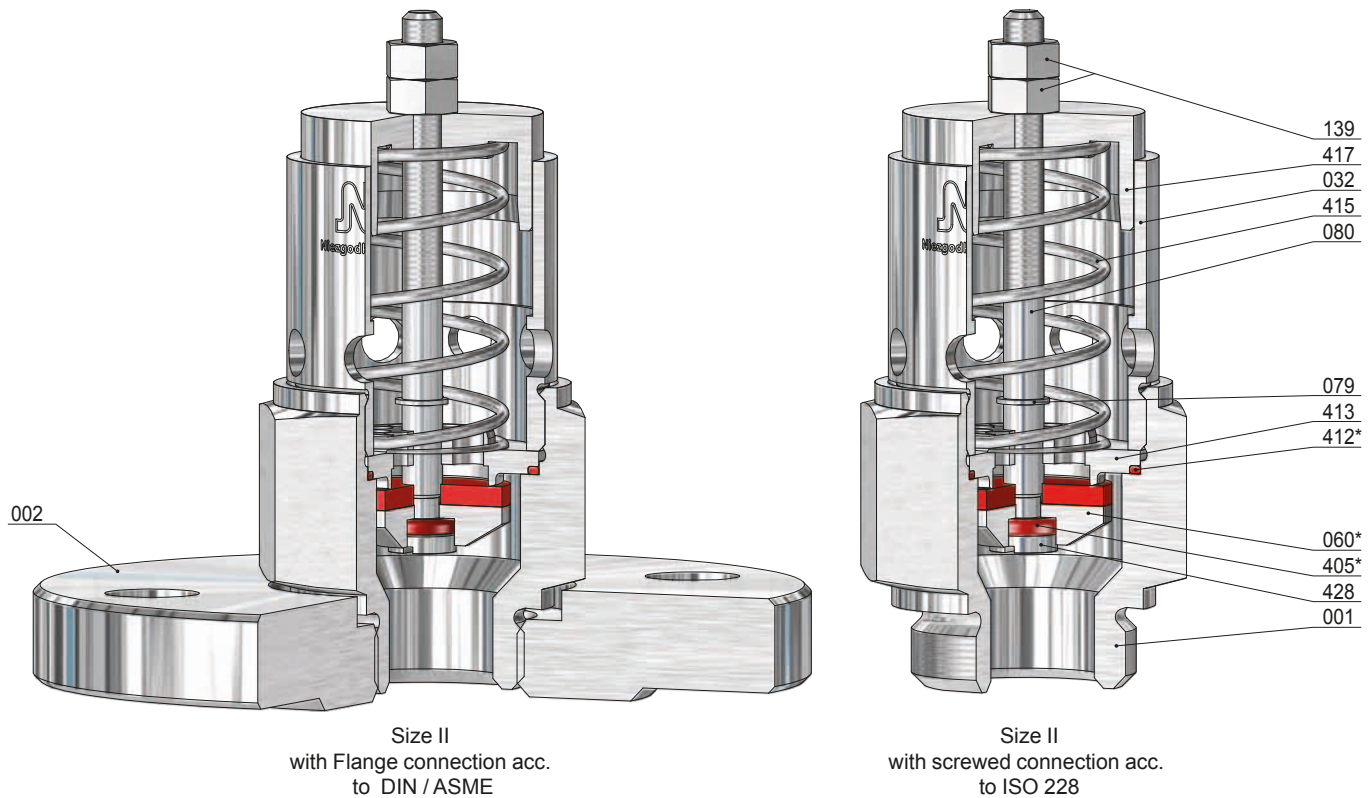
Item	Piece	Description	Item	Piece	Description
001	1	inlet body	405 *	1	o-ring
002	1	inlet flange	412 *	1	o-ring
032	1	bonnet pipe	413	1	guide plate
060 *	1	disc, complete	415	1	underpressure spring
062	1	disc	417	1	spring carrier
404	1	underpressure disc	428	1	spindle screw
079	1	lift stopper			
080	1	spindle			
139	2	nut			

* expendable parts

Vacuum-Relief-Valve, springloaded

for non-toxic steam and gases, for container with a liquid outlet

Typ 91



Size II
with Flange connection acc.
to DIN / ASME

Size II
with screwed connection acc.
to ISO 228

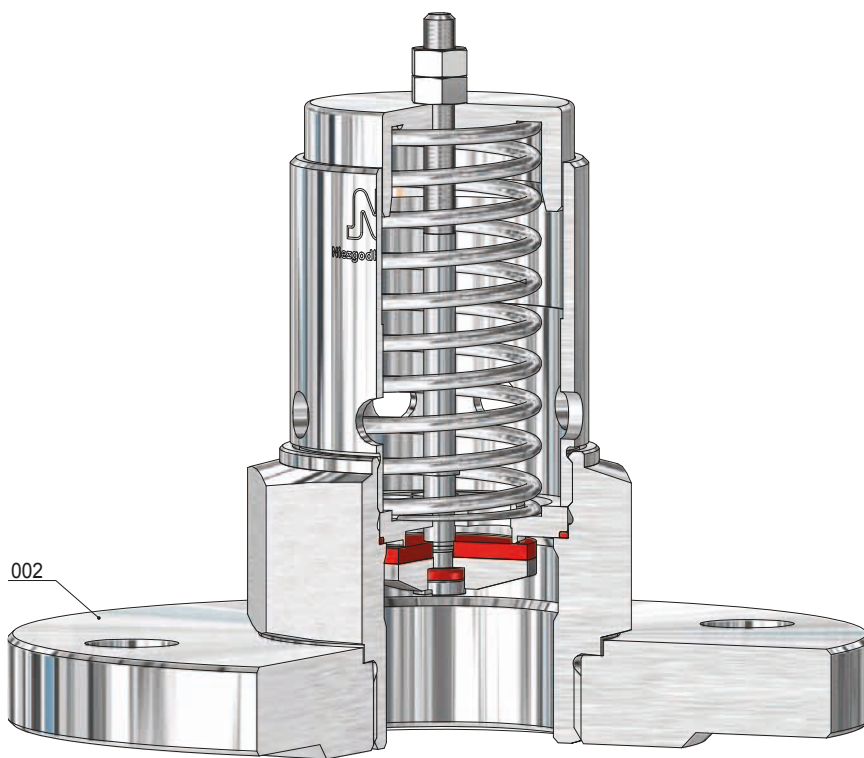
Item	Piece	Description	Item	Piece	Description
001	1	inlet body	405 *	1	o-ring
002	1	inlet flange	412 *	1	o-ring
032	1	bonnet pipe	413	1	guide plate
060 *	1	disc, complete	415	1	underpressure spring
062	1	disc	417	1	spring carrier
404	1	underpressure disc	428	1	spindle screw
079	1	lift stopper			
080	1	spindle			
139	2	nut			

* expendable parts

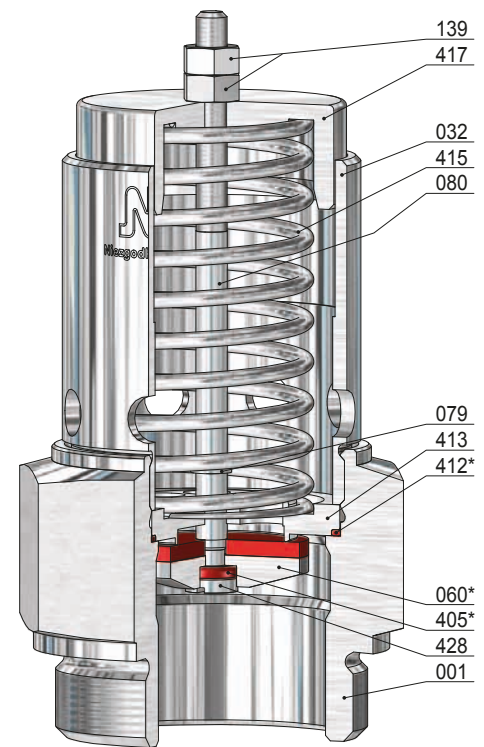
Vacuum-Relief-Valve, springloaded

for non-toxic steam and gases, for container with a liquid outlet

Typ 91



Size III
with Flange connection acc.
to DIN / ASME



Size III
with screwed connection acc.
to ISO 228

Item	Piece	Description	Item	Piece	Description
001	1	inlet body	405 *	1	o-ring
002	1	inlet flange	412 *	1	o-ring
032	1	bonnet pipe	413	1	guide plate
060 *	1	disc, complete	415	1	underpressure spring
062	1	disc	417	1	spring carrier
404	1	underpressure disc	428	1	spindle screw
079	1	lift stopper			
080	1	spindle			
139	2	nut			

* expendable parts