

Initial-Pressure-Controller, springloaded

for steam, gases and liquids

Typ 85

Standard version:

Material: Valve-body / media contact surfaces

Typ 85.2: BG 0 - II 1.4301, 1.4571 / 1.4571

BG III - IV 1.4571 / 1.4571

Connections:

Flange connections: DIN EN / ASME B16.5

Sealings:

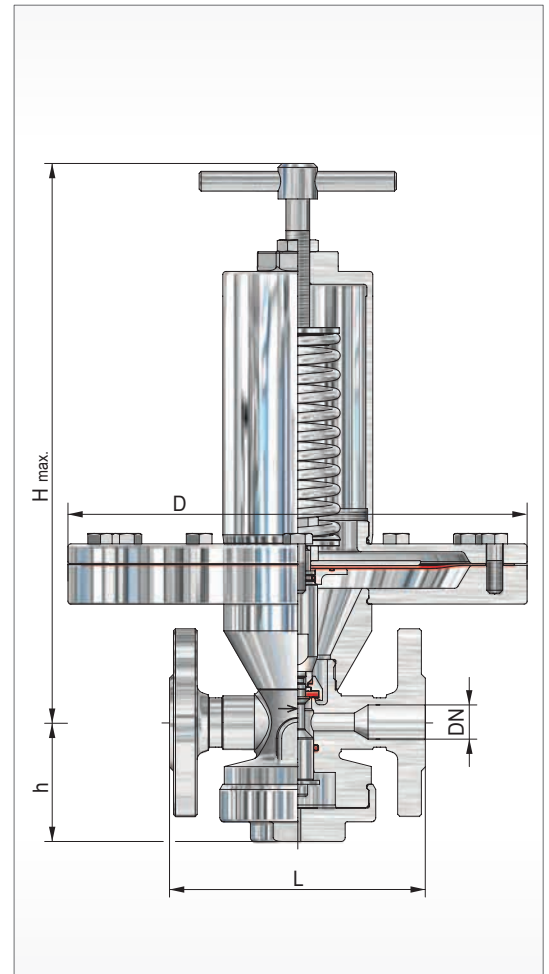
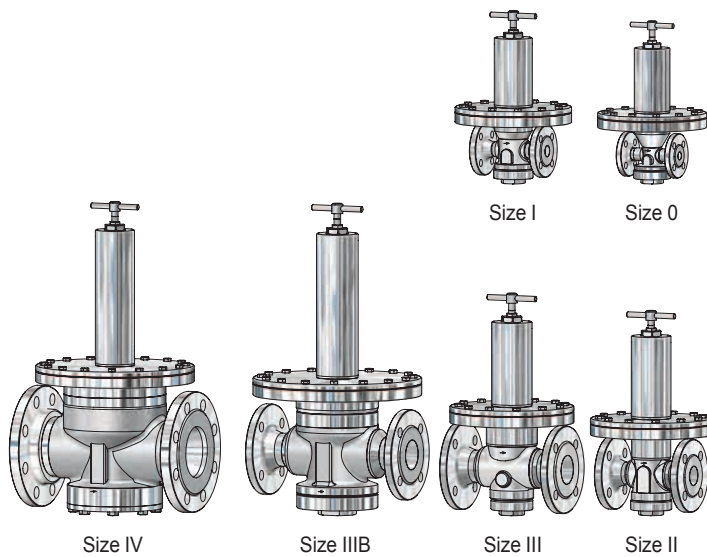
FPM, EPDM

PTFE, EPDM (steam up to 150°C)

PTFE, AF100, EPDM (steam up to 200°C)

Approvals:

Pressure Equipment Directive: 97/23/EG
Declaration of Conformity



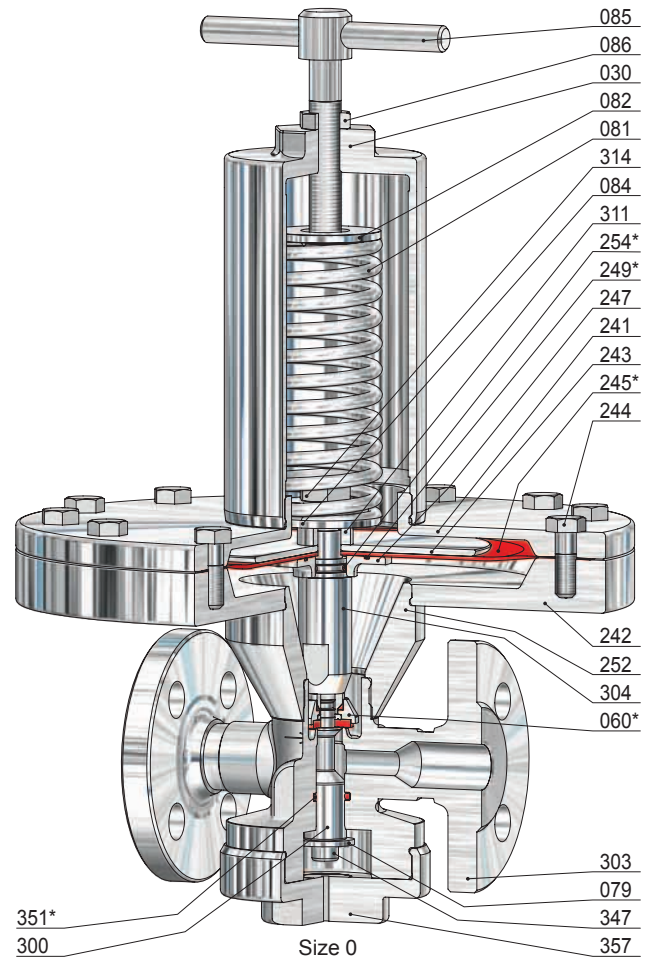
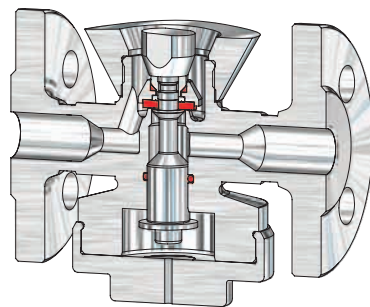
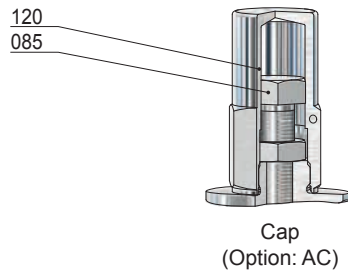
Size	Inlet			Outlet			Dimensions								Kvs value [m³/h]						
	PN			PN			Height H max.				Diaphragm Ø = D										
	DN	NPS	Initial pressure range P1 min. [bar(g)] max.	DN	NPS		Toggle spindle [mm]	Cap [mm]	L [mm]	h [mm]	Design										
0	10	-	0,005 / 0,45	10	-		330	290	130	59	405	310	235			2,0					
	15	1/2		15	1/2											2,2					
I	15	1/2	0,005 / 0,45	15	1/2		305	290	130	67											3,0
	20	3/4		20	3/4				3,2												
II	25	1	0,005 / 0,40	25	1		345	330	160	78											6,3
	32	1 1/4		32	1 1/4				6,5												
III	40	1 1/2	0,005 / 0,45	40	1 1/2		365	335	200	90											12,5
	50	2		50	2				13,0												
IIIB	50	2	0,005 / 0,35	50	2		525	460	300	112											27,5
	65	2 1/2		65	2 1/2				28,0												
IV	80	3	0,005 / 0,38	80	3		510	490	310	157						48,0					
	80	3		80	3				50,0												
	100	4		100	4				53,0												

other design on request

Initial-Pressure-Controller, springloaded

for steam, gases and liquids

Typ 85



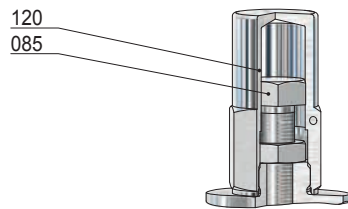
Item	Piece	Description	Item	Piece	Description
303	1	valve body	242	1	lower housing
030	1	spring bonnet	243	1	upper clamp plate
060 *	1	disc, complete	244	12	screw (<i>variable</i>)
560	1	disc	245 *	1	diaphragm
061	1	pressure piece	247	1	lower clamp plate
062	1	soft sealing	249 *	1	o-ring
071	1	o-ring	252	1	adapter
072	1	locking ring	254 *	1	o-ring
073	1	o-ring (<i>only for thermoplastics soft sealing</i>)	300	1	piston
079	1	lift stopper	304	1	inlet pressure piston
081	1	spring	311	1	distance bush
082	1	springplate, upper	314	1	lock nut
084	1	springplate, lower	347	1	screw
085	1	adjusting screw	351 *	1	o-ring
086	1	lock nut	357	1	bottom plug
120	1	cap			
241	1	upper housing			

* expendable parts

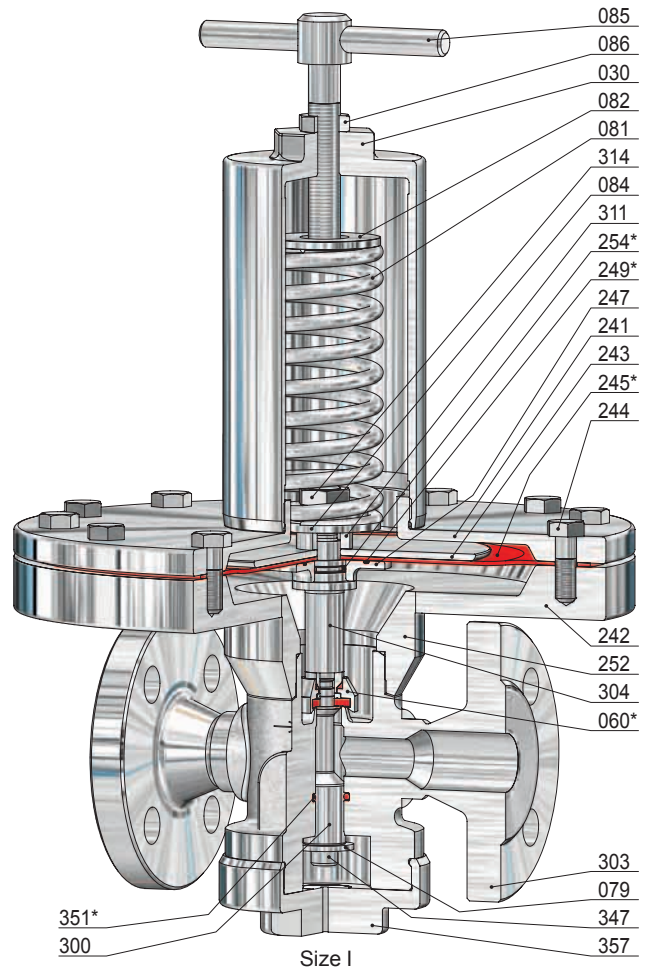
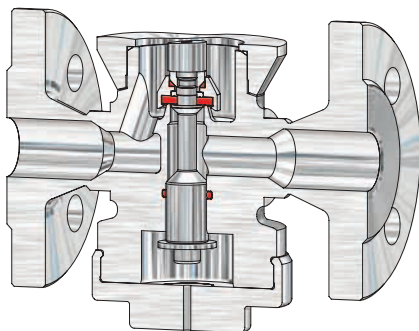
Initial-Pressure-Controller, springloaded

for steam, gases and liquids

Typ 85



Cap
(Option: AC)



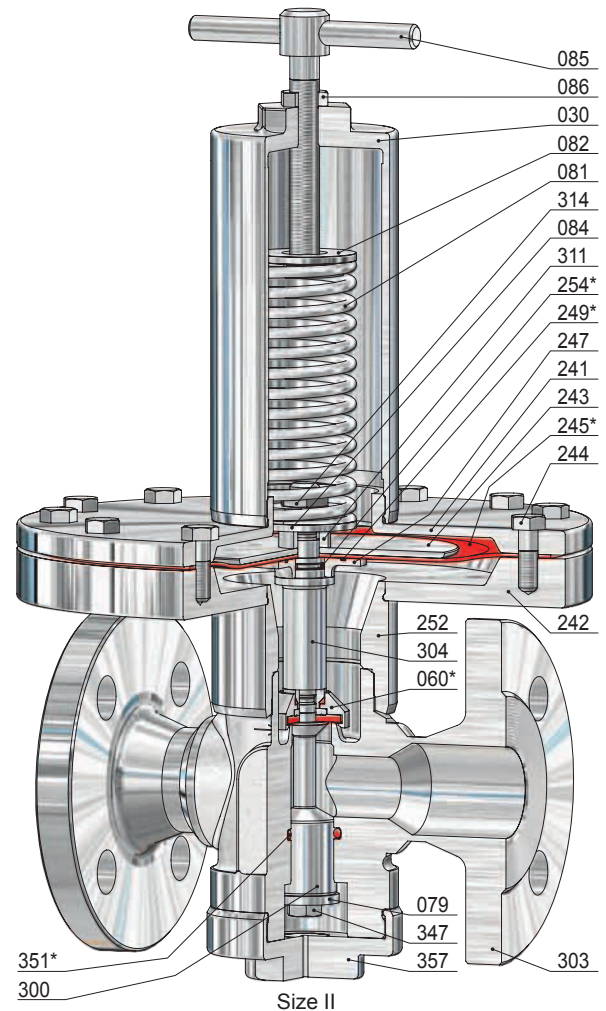
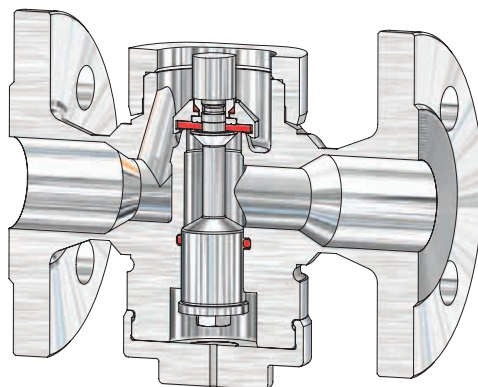
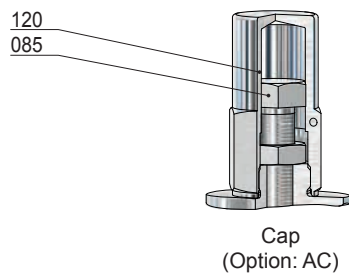
Item	Piece	Description	Item	Piece	Description
303	1	valve body	242	1	lower housing
030	1	spring bonnet	243	1	upper clamp plate
060 *	1	disc, complete	244	12	screw (<i>variable</i>)
560	1	disc	245 *	1	diaphragm
061	1	pressure piece	247	1	lower clamp plate
062	1	soft sealing	249 *	1	o-ring
071	1	o-ring	252	1	adapter
072	1	locking ring	254 *	1	o-ring
073	1	o-ring (<i>only for thermoplastics soft sealing</i>)	300	1	piston
079	1	lift stopper	304	1	inlet pressure piston
081	1	spring	311	1	distance bush
082	1	springplate, upper	314	1	lock nut
084	1	springplate, lower	347	1	screw
085	1	adjusting screw	351 *	1	o-ring
086	1	lock nut	357	1	bottom plug
120	1	cap			
241	1	upper housing			

* expendable parts

Initial-Pressure-Controller, springloaded

for steam, gases and liquids

Typ 85



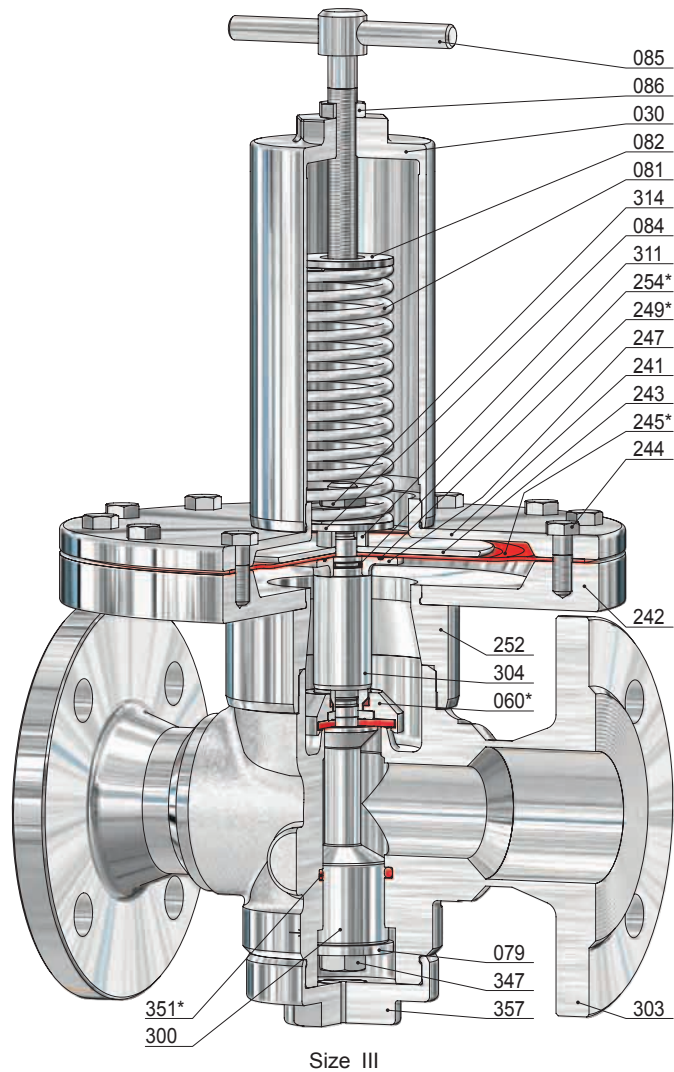
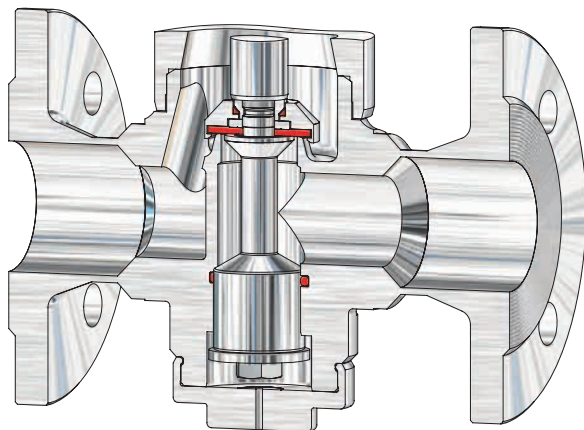
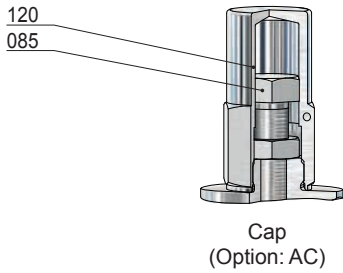
Item	Piece	Description	Item	Piece	Description
303	1	valve body	242	1	lower housing
030	1	spring bonnet	243	1	upper clamp plate
060 *	1	disc, complete	244	12	screw (<i>variable</i>)
560	1	disc	245 *	1	diaphragm
061	1	pressure piece	247	1	lower clamp plate
062	1	soft sealing	249 *	1	o-ring
071	1	o-ring	252	1	adapter
072	1	locking ring	254 *	1	o-ring
073	1	o-ring (<i>only for thermoplastics soft sealing</i>)	300	1	piston
079	1	lift stopper	304	1	inlet pressure piston
081	1	spring	311	1	distance bush
082	1	springplate, upper	314	1	lock nut
084	1	springplate, lower	347	1	screw
085	1	adjusting screw	351 *	1	o-ring
086	1	lock nut	357	1	bottom plug
120	1	cap			
241	1	upper housing			

* expendable parts

Initial-Pressure-Controller, springloaded

for steam, gases and liquids

Typ 85



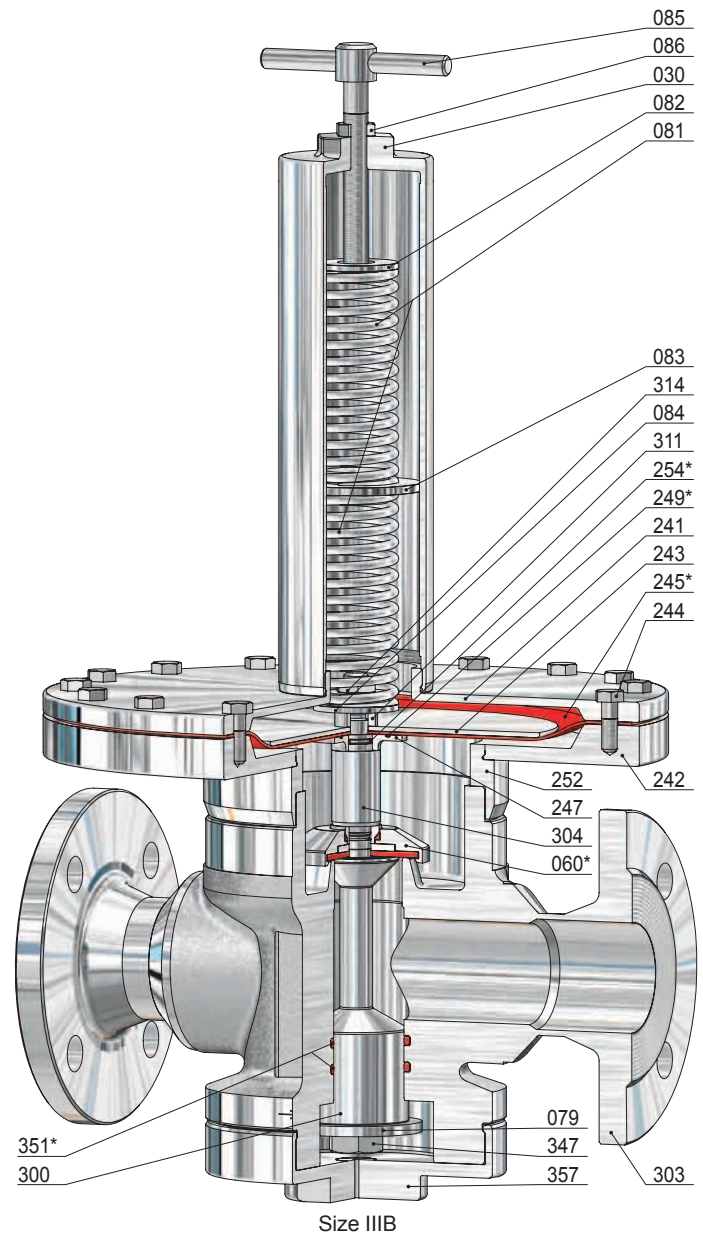
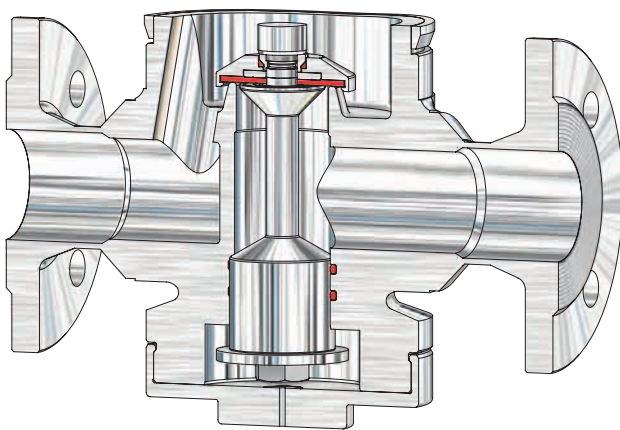
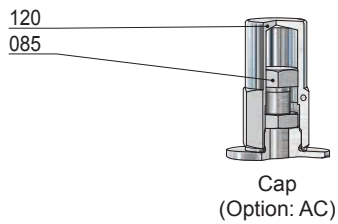
Item	Piece	Description	Item	Piece	Description
303	1	valve body	242	1	lower housing
030	1	spring bonnet	243	1	upper clamp plate
060 *	1	disc, complete	244	12	screw (<i>variable</i>)
560	1	disc	245 *	1	diaphragm
061	1	pressure piece	247	1	lower clamp plate
062	1	soft sealing	249 *	1	o-ring
071	1	o-ring	252	1	adapter
072	1	locking ring	254 *	1	o-ring
073	1	o-ring (<i>only for thermoplastics soft sealing</i>)	300	1	piston
079	1	lift stopper	304	1	inlet pressure piston
081	1	spring	311	1	distance bush
082	1	springplate, upper	314	1	lock nut
084	1	springplate, lower	347	1	screw
085	1	adjusting screw	351 *	1	o-ring
086	1	lock nut	357	1	bottom plug
120	1	cap			
241	1	upper housing			

* expendable parts

Initial-Pressure-Controller, springloaded

for steam, gases and liquids

Typ 85



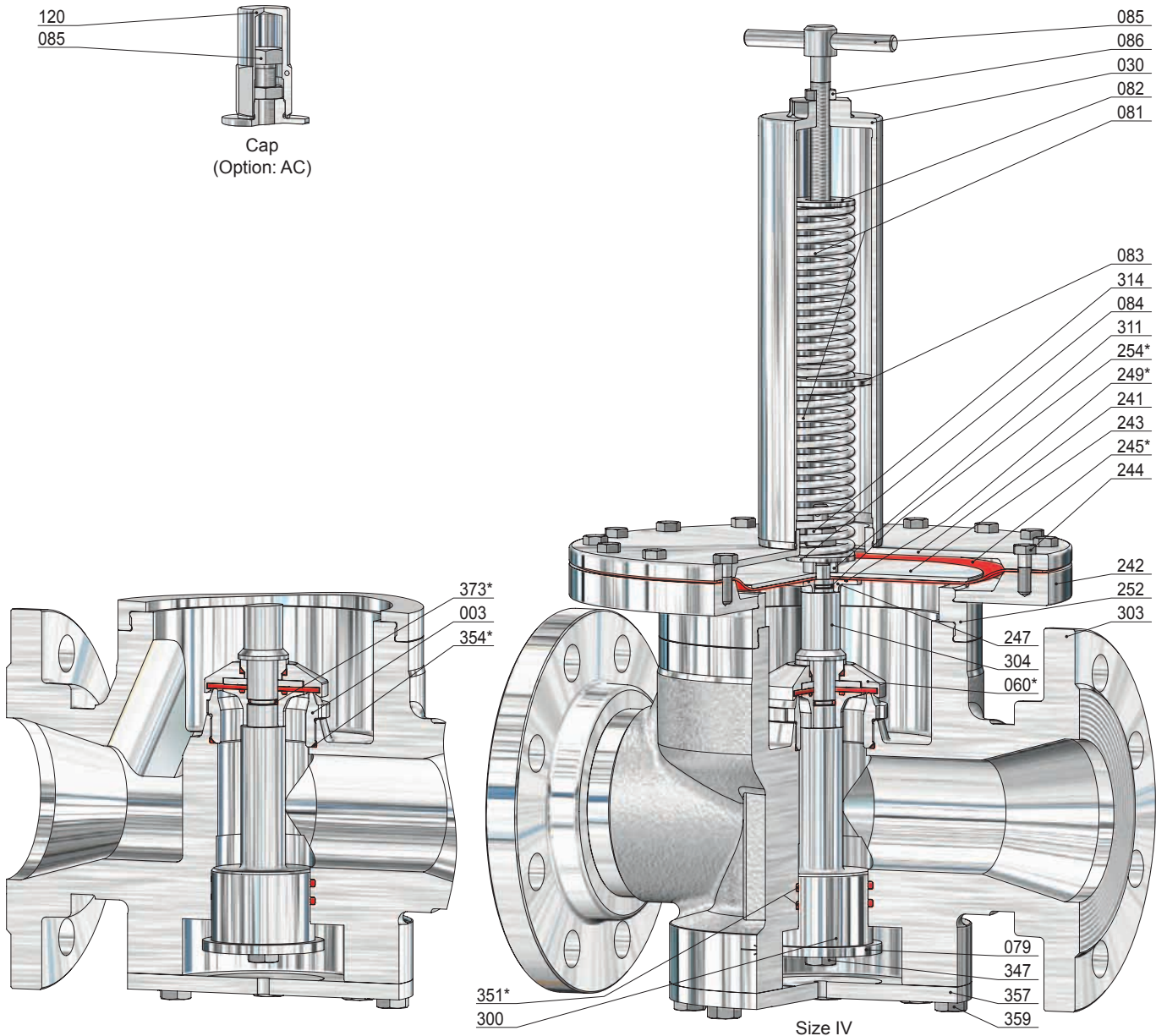
Item	Piece	Description	Item	Piece	Description	Item	Piece	Description
303	1	valve body	083	1	springplate, middle	300	1	piston
030	1	spring bonnet	084	1	springplate, lower	304	1	inlet pressure piston
060 *	1	disc, complete	085	1	adjusting screw	311	1	distance bush
560	1	disc	086	1	lock nut	314	1	lock nut
061	1	pressure piece	120	1	cap	347	1	screw
062	1	soft sealing	241	1	upper housing	351 *	2	o-ring
071	1	o-ring	242	1	lower housing	357	1	bottom plug
072	1	locking ring	243	1	upper clamp plate			
073	1	o-ring (only for thermoplastics soft sealing)	244	16	screw (variable)			
			245 *	1	diaphragm			
			247	1	lower clamp plate			
079	1	lift stopper	249 *	1	o-ring			
081	2	spring	252	1	adapter			
082	1	springplate, upper	254 *	1	o-ring			

* expendable parts

Initial-Pressure-Controller, springloaded

for steam, gases and liquids

Typ 85



Item	Piece	Description	Item	Piece	Description	Item	Piece	Description
303	1	valve body	083	1	springplate, middle	300	1	piston
003	1	seat	084	1	springplate, lower	304	1	inlet pressure piston
030	1	spring bonnet	085	1	adjusting screw	311	1	distance bush
060 *	1	disc, complete	086	1	lock nut	314	1	lock nut
560	1	disc	120	1	cap	347	1	screw
061	1	pressure piece	241	1	upper housing	351 *	2	o-ring
062	1	soft sealing	242	1	lower housing	354 *	1	o-ring
071	1	o-ring	243	1	Klemmplatte, oben	357	1	bottom plug
072	1	locking ring	244	16	screw (variable)	359	8	screw
073	1	o-ring	245 *	1	diaphragm	373 *	1	o-ring
074	1	disc plate	247	1	lower clamp plate			
079	1	lift stopper	249 *	1	o-ring			
081	2	spring	252	1	adapter			
082	1	springplate, upper	254 *	1	o-ring			

* expendable parts