

Initial-Pressure-Controller, springloaded

for steam, gases and liquids

Typ 84

Standard version:

Material: Valve-body / media contact surfaces

Typ 84.2: BG 0 - II 1.4301, 1.4571 / 1.4571

BG III - IIIB 1.4571 / 1.4571

Sealings:

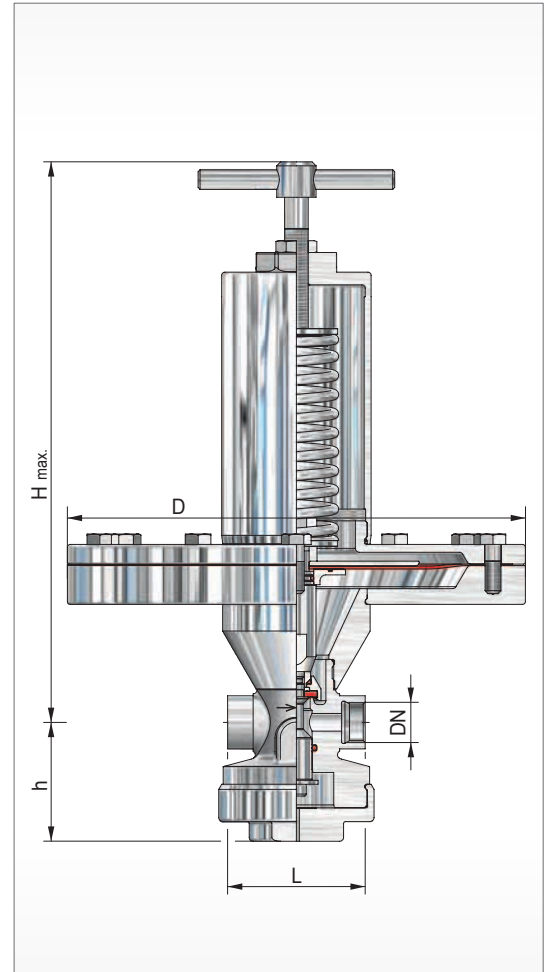
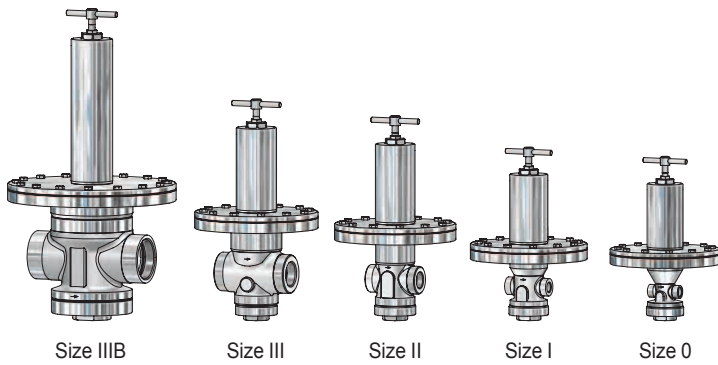
Screwed connection: DIN ISO 228 / ASME B1.20.1 FPM, EPDM

PTFE, EPDM (steam up to 150°C)

PTFE, AF100, EPDM (steam up to 200°C)

Approvals:

Pressure Equipment Directive: 97/23/EG
Declaration of Conformity



Size	Inlet			Outlet			Dimensions				Kvs value [m³/h]				
	DN	G, NPT	Initial pressure range P1 min. [bar(g)] max.	DN	G, NPT	Height H max.		Diaphragm Ø = D							
						Toggle spindle [mm]	Cap [mm]	Design							
0	8	1/4	0,005 / 0,45	8	1/4	330	290	70	70	59	405	310	235	190	1,2
	10	3/8		70	2,0										
	15	1/2		70	2,2										
I	15	1/2	0,005 / 0,45	15	1/2	305	290	90	90	67	405	310	235	190	3,0
	20	3/4		135	3,2										
	25*	1*		105	3,5										
II	25	1	0,005 / 0,40	25	1	345	330	105	78	155	405	310	235	190	6,3
	32	1 1/4		145	6,5										
	40*	1 1/2*		155	6,7										
III	40	1 1/2	0,005 / 0,45	40	1 1/2	365	335	145	90	210	405	310	235	190	12,5
	50	2		145	13,0										
	65*	2 1/2*		145	13,5										
IIIB	50	2	0,005 / 0,35	50	2	525	460	220	112						27,5
	65	2 1/2			28,0										

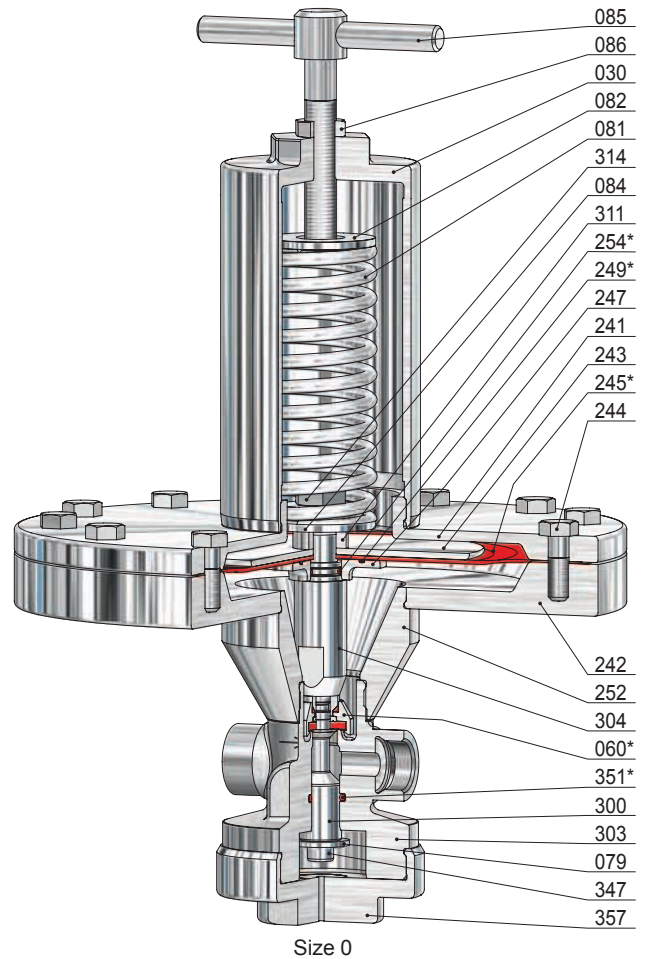
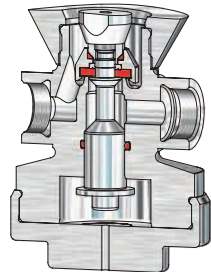
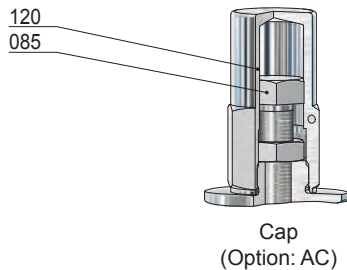
other design on request

* special size

Initial-Pressure-Controller, springloaded

for steam, gases and liquids

Typ 84



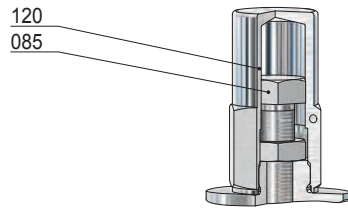
Item	Piece	Description	Item	Piece	Description
303	1	valve body	243	1	upper clamp plate
030	1	spring bonnet	244	12	screw (variable)
060 *	1	disc, complete	245 *	1	diaphragm
560	1	disc	247	1	lower clamp plate
061	1	pressure piece	249 *	1	o-ring
062	1	soft sealing	252	1	adapter
071	1	o-ring	254 *	1	o-ring
072	1	locking ring	300	1	piston
073	1	o-ring (only for thermoplastics soft sealing)	304	1	inlet pressure piston
079	1	lift stopper	311	1	distance bush
081	1	spring	314	1	lock nut
082	1	springplate, upper	347	1	screw
084	1	springplate, lower	351 *	1	o-ring
085	1	adjusting screw	357	1	bottom plug
086	1	lock nut			
120	1	cap			
241	1	upper housing			
242	1	lower housing			

* expendable parts

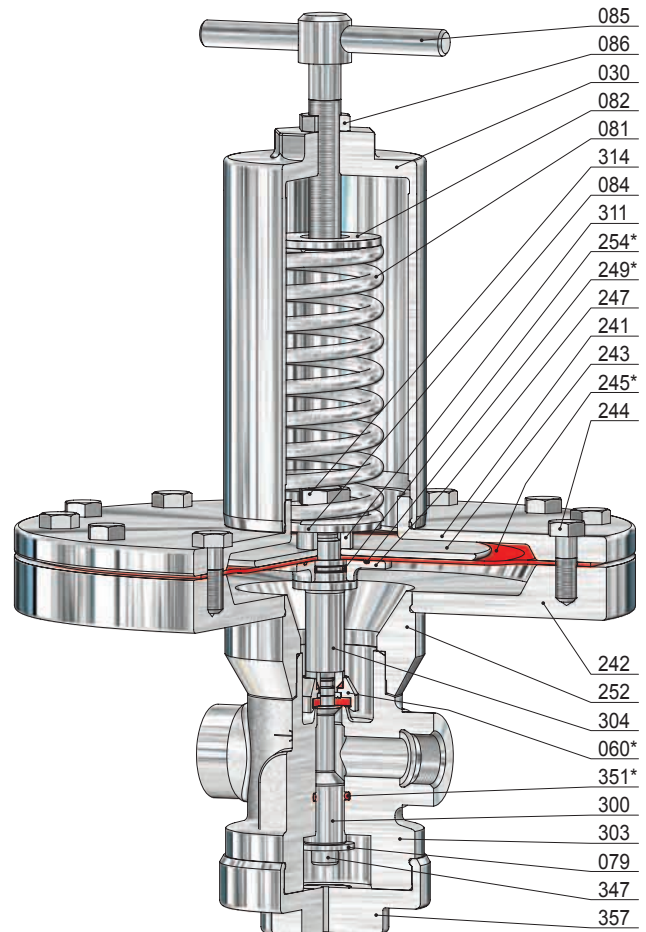
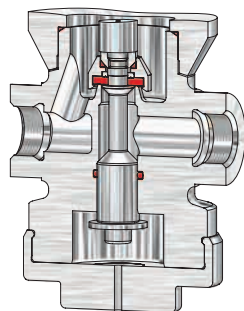
Initial-Pressure-Controller, springloaded

for steam, gases and liquids

Typ 84



Cap
(Option: AC)



Size I

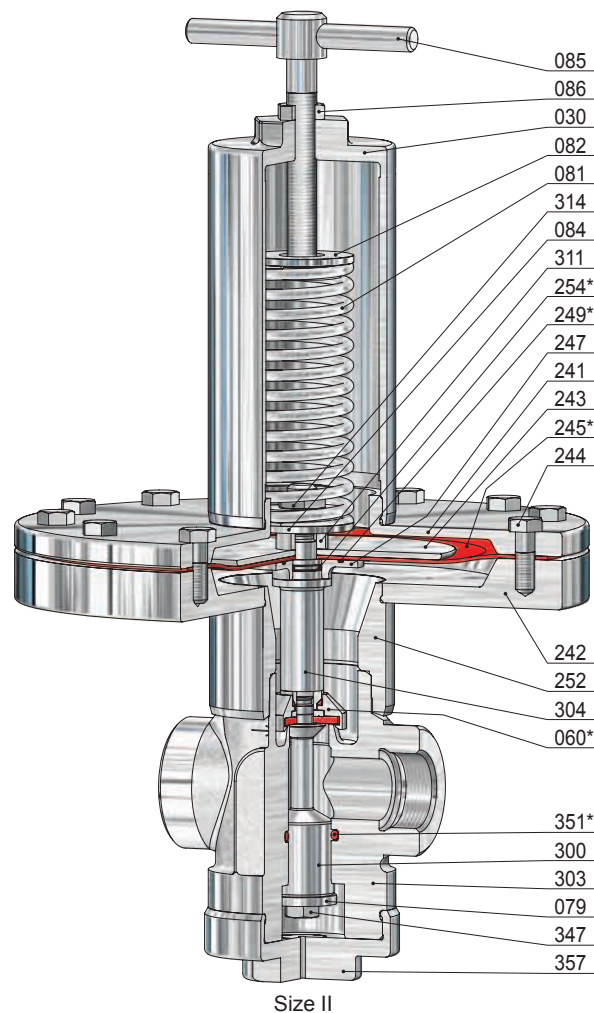
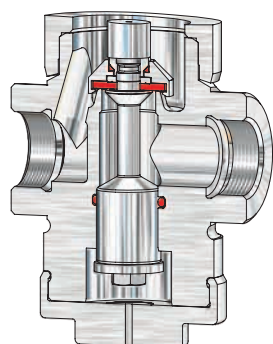
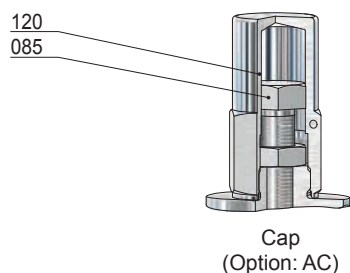
Item	Piece	Description	Item	Piece	Description
303	1	valve body	243	1	upper clamp plate
030	1	spring bonnet	244	12	screw <i>(variable)</i>
060 *	1	disc, complete	245 *	1	diaphragm
560	1	disc	247	1	lower clamp plate
061	1	pressure piece	249 *	1	o-ring
062	1	soft sealing	252	1	adapter
071	1	o-ring	254 *	1	o-ring
072	1	locking ring	300	1	piston
073	1	o-ring <i>(only for thermoplastics soft sealing)</i>	304	1	inlet pressure piston
079	1	lift stopper	311	1	distance bush
081	1	spring	314	1	lock nut
082	1	springplate, upper	347	1	screw
084	1	springplate, lower	351 *	1	o-ring
085	1	adjusting screw	357	1	bottom plug
086	1	lock nut			
120	1	cap			
241	1	upper housing			
242	1	lower housing			

* expendable parts

Initial-Pressure-Controller, springloaded

for steam, gases and liquids

Typ 84



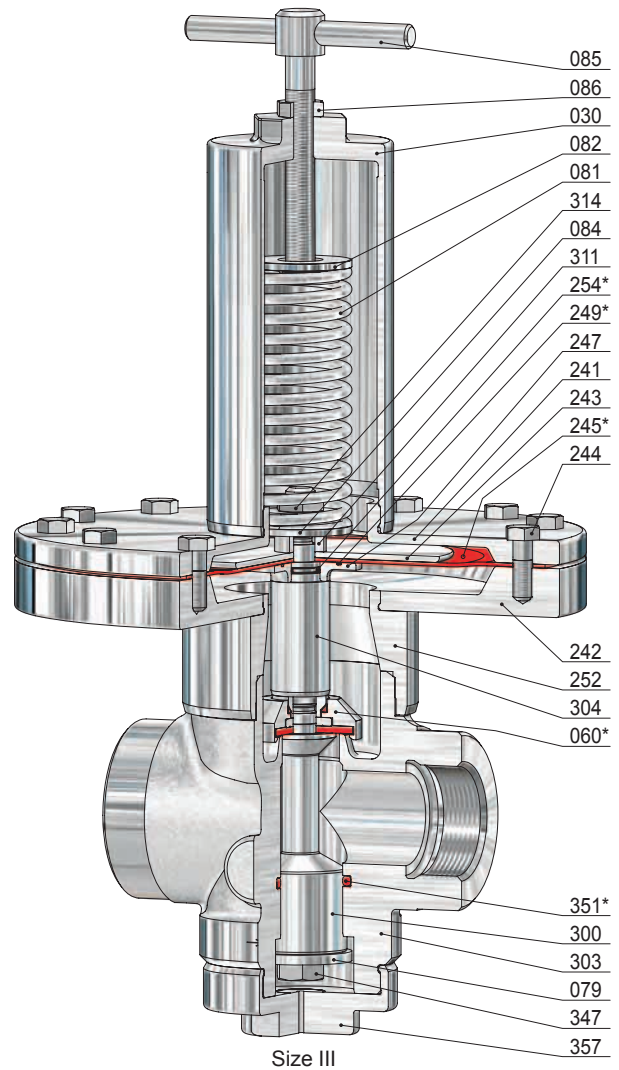
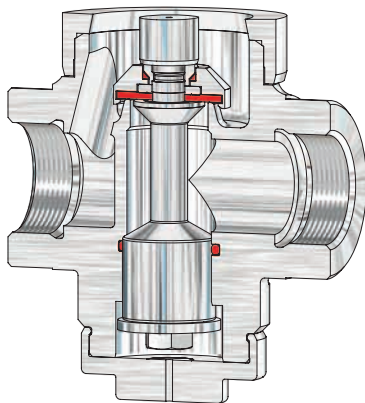
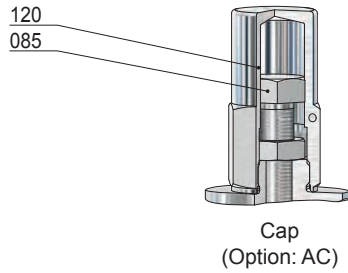
Item	Piece	Description	Item	Piece	Description
303	1	valve body	243	1	upper clamp plate
030	1	spring bonnet	244	12	screw (variable)
060 *	1	disc, complete	245 *	1	diaphragm
560	1	disc	247	1	lower clamp plate
061	1	pressure piece	249 *	1	o-ring
062	1	soft sealing	252	1	adapter
071	1	o-ring	254 *	1	o-ring
072	1	locking ring	300	1	piston
073	1	o-ring (only for thermoplastics soft sealing)	304	1	inlet pressure piston
079	1	lift stopper	311	1	distance bush
081	1	spring	314	1	lock nut
082	1	springplate, upper	347	1	screw
084	1	springplate, lower	351 *	1	o-ring
085	1	adjusting screw	357	1	bottom plug
086	1	lock nut			
120	1	cap			
241	1	upper housing			
242	1	lower housing			

* expendable parts

Initial-Pressure-Controller, springloaded

for steam, gases and liquids

Typ 84



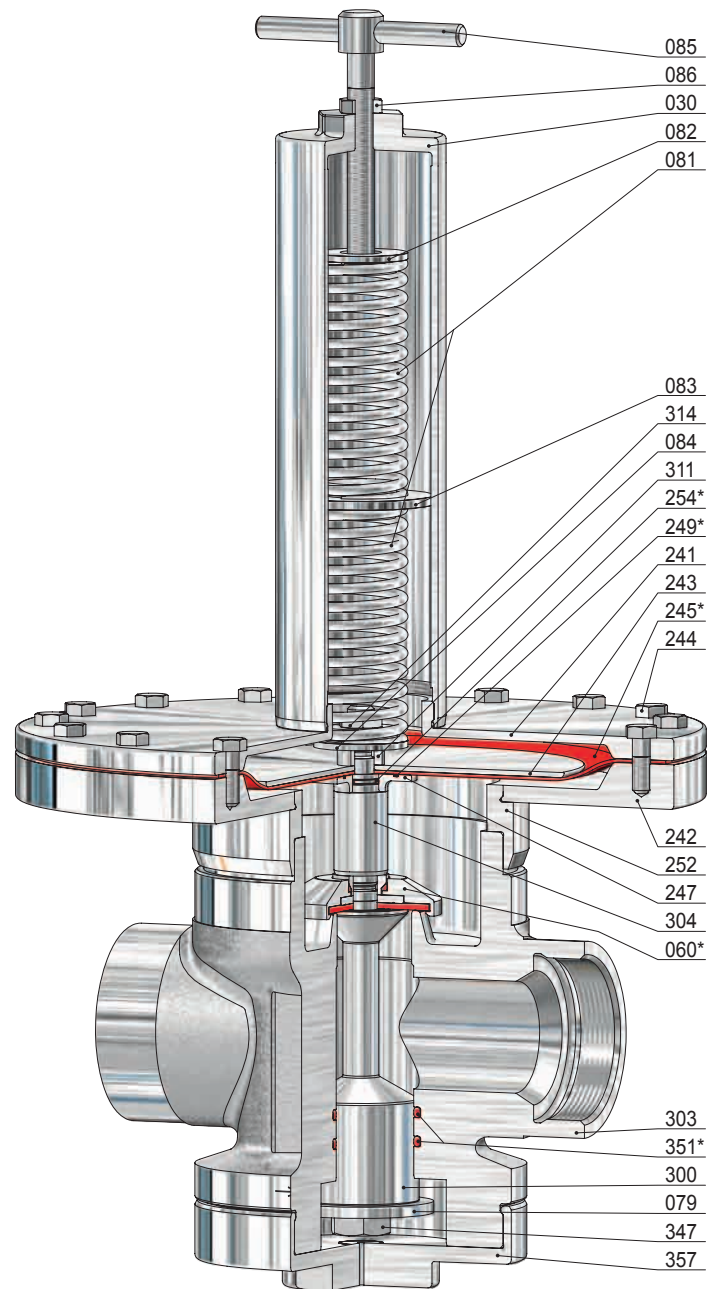
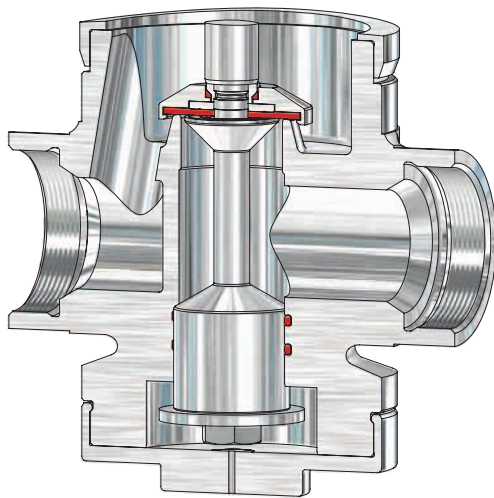
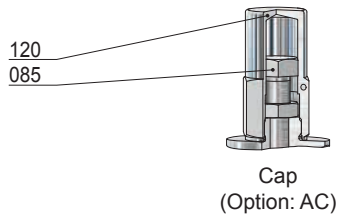
Item	Piece	Description	Item	Piece	Description
303	1	valve body	243	1	upper clamp plate
030	1	spring bonnet	244	12	screw <i>(variable)</i>
060 *	1	disc, complete	245 *	1	diaphragm
560	1	disc	247	1	lower clamp plate
061	1	pressure piece	249 *	1	o-ring
062	1	soft sealing	252	1	adapter
071	1	o-ring	254 *	1	o-ring
072	1	locking ring	300	1	piston
073	1	o-ring <i>(only for thermoplastics soft sealing)</i>	304	1	inlet pressure piston
079	1	lift stopper	311	1	distance bush
081	1	spring	314	1	lock nut
082	1	springplate, upper	347	1	screw
084	1	springplate, lower	351 *	1	o-ring
085	1	adjusting screw	357	1	bottom plug
086	1	lock nut			
120	1	cap			
241	1	upper housing			
242	1	lower housing			

* expendable parts

Initial-Pressure-Controller, springloaded

for steam, gases and liquids

Typ 84



Size IIIB

Item	Piece	Description	Item	Piece	Description	Item	Piece	Description
303	1	valve body	083	1	springplate, middle	300	1	piston
030	1	spring bonnet	084	1	springplate, lower	304	1	inlet pressure piston
060 *	1	disc, complete	085	1	adjusting screw	311	1	distance bush
560	1	disc	086	1	lock nut	314	1	lock nut
061	1	pressure piece	120	1	cap	347	1	screw
062	1	soft sealing	241	1	upper housing	351 *	2	o-ring
071	1	o-ring	242	1	lower housing	357	1	bottom plug
072	1	locking ring	243	1	upper clamp plate			
073	1	o-ring <i>(only for thermoplastics soft sealing)</i>	244	16	screw <i>(variable)</i>			
			245 *	1	diaphragm			
079	1	lift stopper	247	1	lower clamp plate			
081	2	spring	249 *	1	o-ring			
082	1	springplate, upper	252	1	adapter			
			254 *	1	o-ring			

* expendable parts