

# Initial-Pressure-Controller, springloaded

for steam, gases and liquids

# Typ 81

## Standard version:

**Material:** Valve-body / media contact surfaces

**Typ 81.2:** BG 0 - II 1.4301, 1.4571 / 1.4571  
 BG III - IV 1.4571 / 1.4571

## Connections:

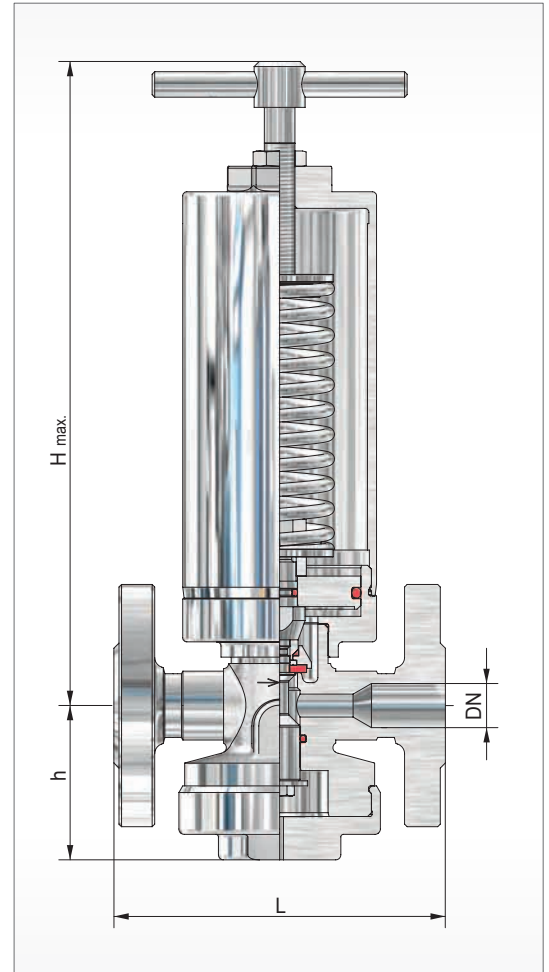
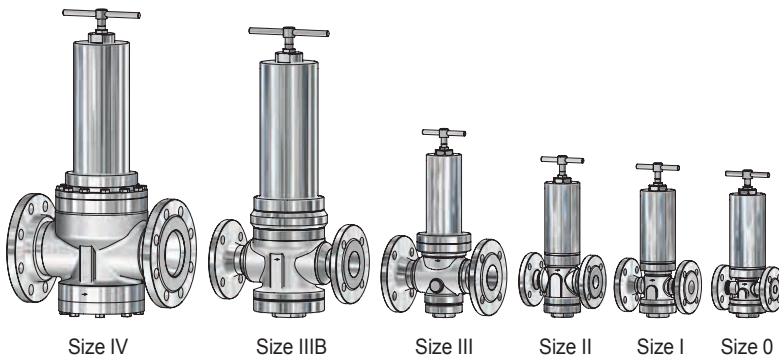
Flange connections: DIN EN / ASME B16.5

## Sealings:

FPM, EPDM  
 PTFE, EPDM (steam up to 150°C)  
 PTFE, AF100, EPDM (steam up to 200°C)

## Approvals:

**Pressure Equipment Directive:** 97/23/EG  
 Declaration of Conformity



Size	Inlet			Outlet		Dimensions				Kvs value [m³/h]	
	DN	NPS	PN		DN	NPS	Height H max.				
			min.	max.			Toggle spindle [mm]	Cap [mm]	L [mm]		h [mm]
0	10	-	0,35 / 104,00		10	-	275	265	130	59	2,0
	15	1/2			15	1/2					2,2
I	15	1/2	0,35 / 59,00		15	1/2	305	270	130	67	3,0
	20	3/4			20	3/4			150		3,2
	25*	1*			25*	1*			160		3,5
II	25	1	0,25 / 25,00		25	1	315	275	160	75	6,3
	32	1 1/4			32	1 1/4			180		6,5
	40*	1 1/2*			40*	1 1/2*			200		6,7
III	40	1 1/2	0,25 / 17,00		40	1 1/2	360	325	200	90	12,5
	50	2			50	2			230		13,0
	65*	2 1/2*			65*	2 1/2*			290		13,5
IIIB	50	2	0,25 / 12,00		50	2	570	535	300	112	27,5
	65	2 1/2			65	2 1/2			290		28,0
	80	3			80	3			310		28,5
IV	65	2 1/2	0,20 / 13,20		65	2 1/2	600	565	290	140	48,0
	80	3			80	3			310		50,0
	100	4			100	4			350		53,0

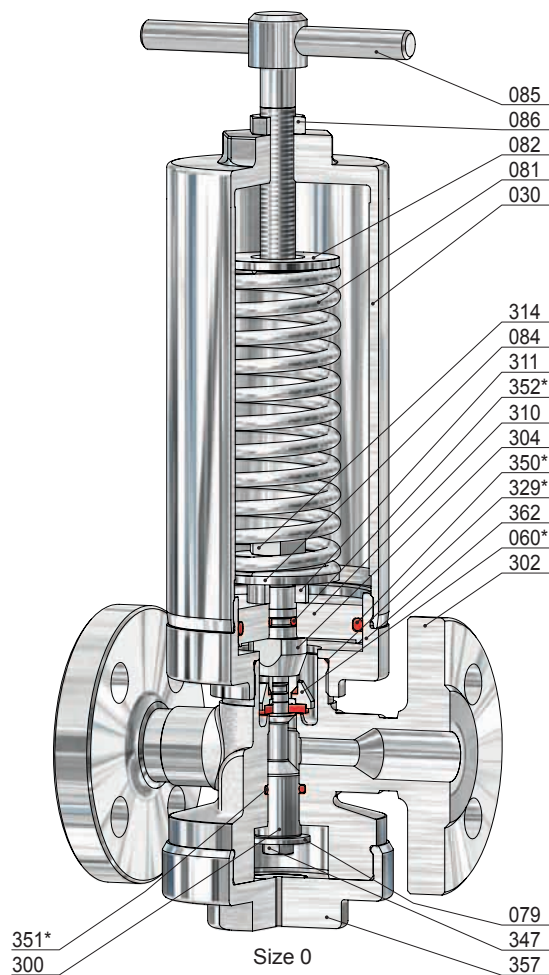
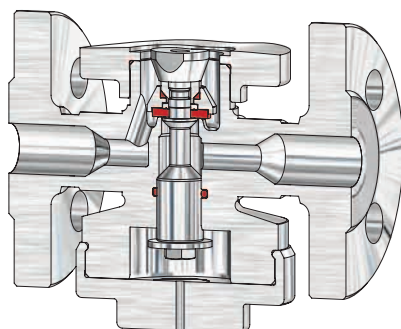
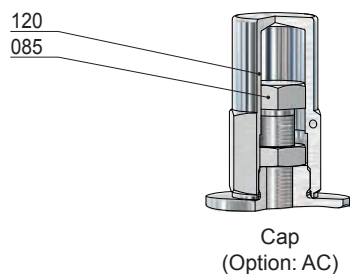
other design on request

\* special size

# Initial-Pressure-Controller, springloaded

for steam, gases and liquids

## Typ 81



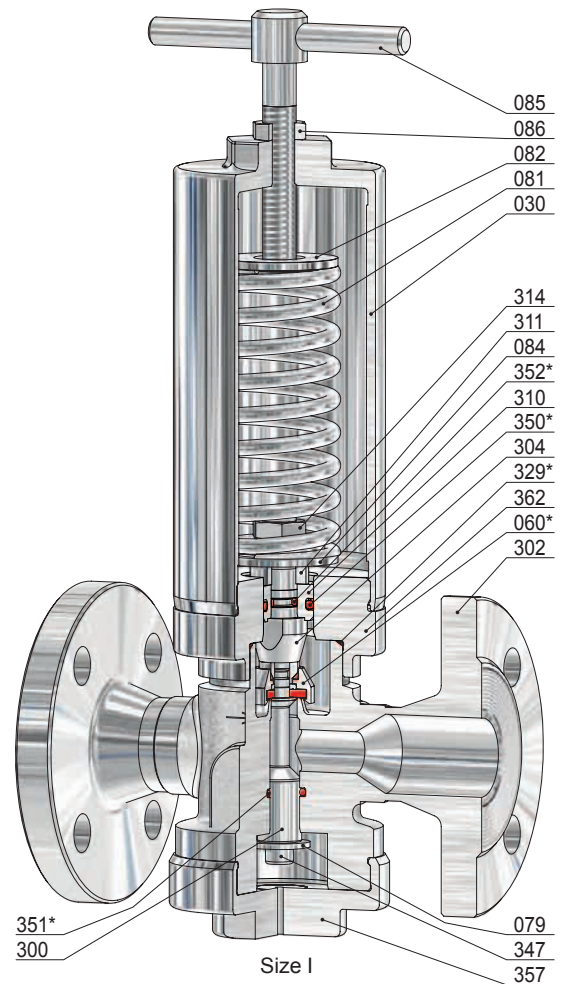
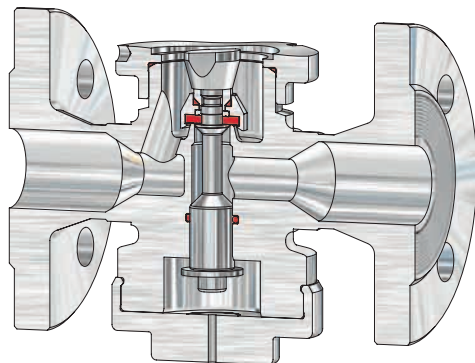
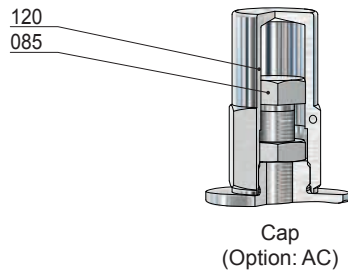
Item	Piece	Description	Item	Piece	Description
302	1	valve body	120	1	cap
030	1	spring bonnet	300	1	piston
060 *	1	disc, complete	304	1	inlet pressure piston
560	1	disc	310	1	piston plate
061	1	pressure piece	311	1	distance bush
062	1	soft sealing	314	1	lock nut
071	1	o-ring	329 *	1	o-ring
072	1	locking ring	347	1	screw
073	1	o-ring (only for thermoplastics soft sealing)	350 *	1	o-ring
079	1	lift stopper	351 *	1	o-ring
081	1	spring	352 *	1	o-ring
082	1	springplate, upper	357	1	bottom plug
084	1	springplate, lower	362	1	adapter
085	1	adjusting screw			
086	1	lock nut			

\* expendable parts

# Initial-Pressure-Controller, springloaded

for steam, gases and liquids

## Typ 81



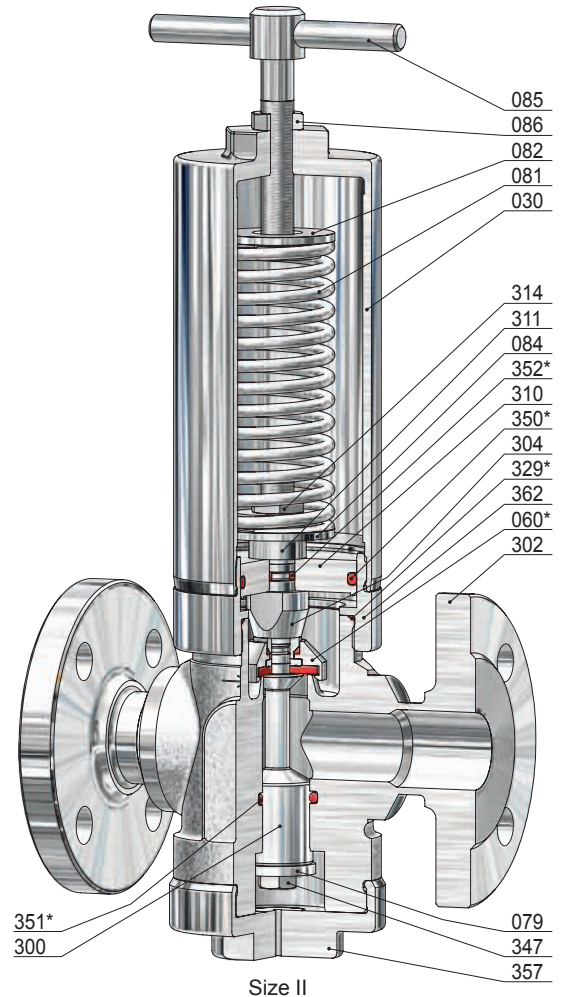
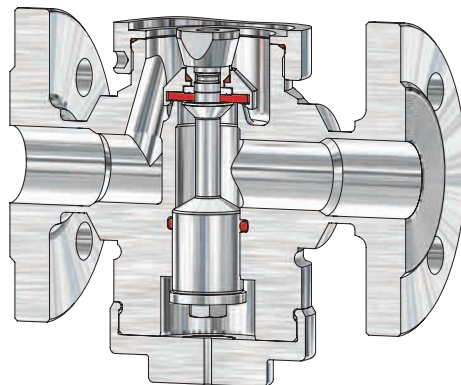
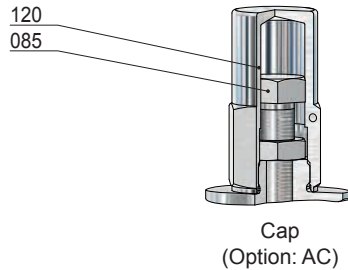
Item	Piece	Description	Item	Piece	Description
302	1	valve body	120	1	cap
030	1	spring bonnet	300	1	piston
060 *	1	disc, complete	304	1	inlet pressure piston
560	1	disc	310	1	piston plate
061	1	pressure piece	311	1	distance bush
062	1	soft sealing	314	1	lock nut
071	1	o-ring	329 *	1	o-ring
072	1	locking ring	347	1	screw
073	1	o-ring <i>(only for thermoplastics soft sealing)</i>	350 *	1	o-ring
079	1	lift stopper	351 *	1	o-ring
081	1	spring	352 *	1	o-ring
082	1	springplate, upper	357	1	bottom plug
084	1	springplate, lower	362	1	adapter
085	1	adjusting screw			
086	1	lock nut			

\* expendable parts

# Initial-Pressure-Controller, springloaded

for steam, gases and liquids

## Typ 81



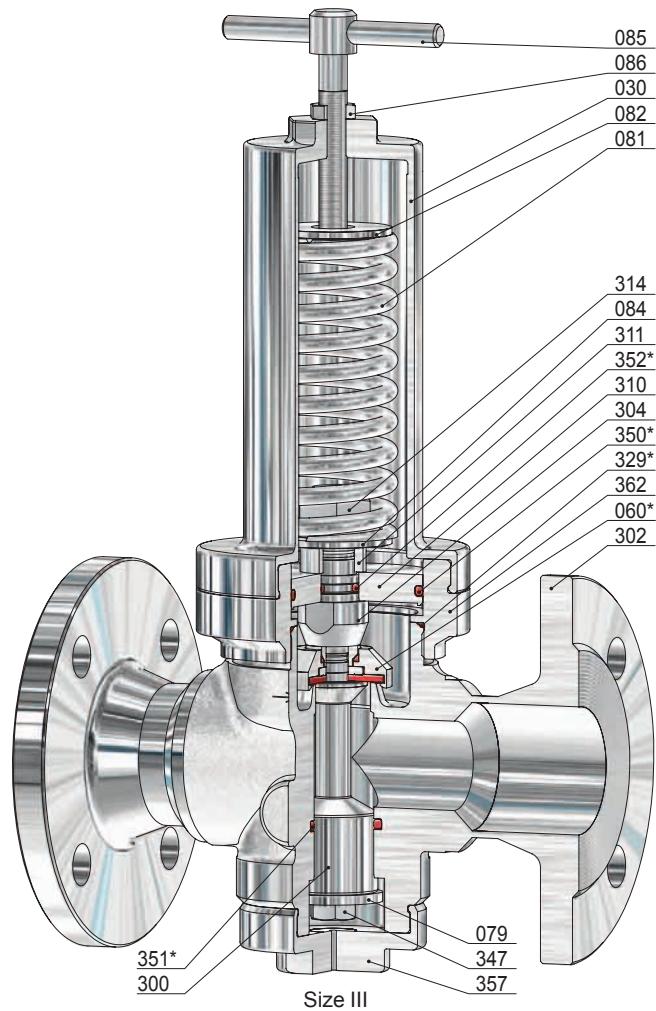
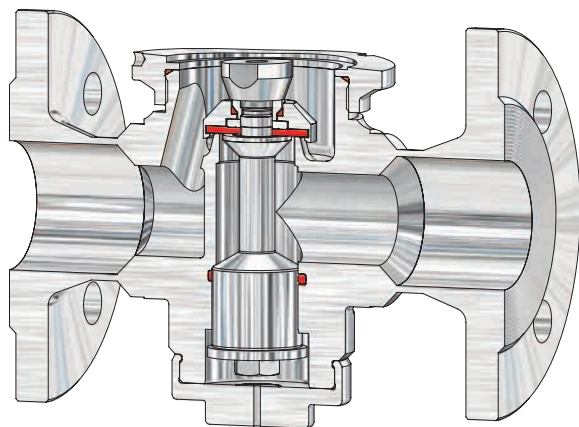
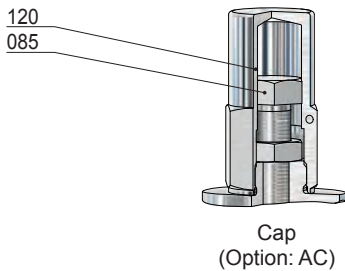
Item	Piece	Description	Item	Piece	Description
302	1	valve body	120	1	cap
030	1	spring bonnet	300	1	piston
060 *	1	disc, complete	304	1	inlet pressure piston
560	1	disc	310	1	piston plate
061	1	pressure piece	311	1	distance bush
062	1	soft sealing	314	1	lock nut
071	1	o-ring	329 *	1	o-ring
072	1	locking ring	347	1	screw
073	1	o-ring (only for thermoplastics soft sealing)	350 *	1	o-ring
079	1	lift stopper	351 *	1	o-ring
081	1	spring	352 *	1	o-ring
082	1	springplate, upper	357	1	bottom plug
084	1	springplate, lower	362	1	adapter
085	1	adjusting screw			
086	1	lock nut			

\* expendable parts

# Initial-Pressure-Controller, springloaded

for steam, gases and liquids

## Typ 81



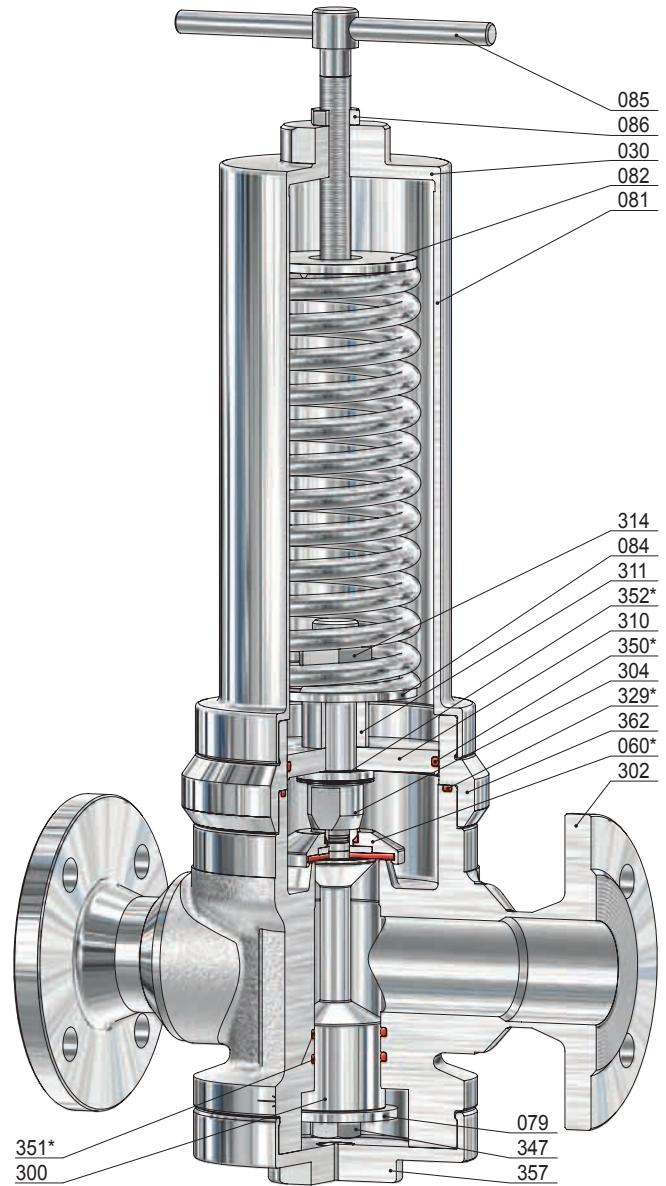
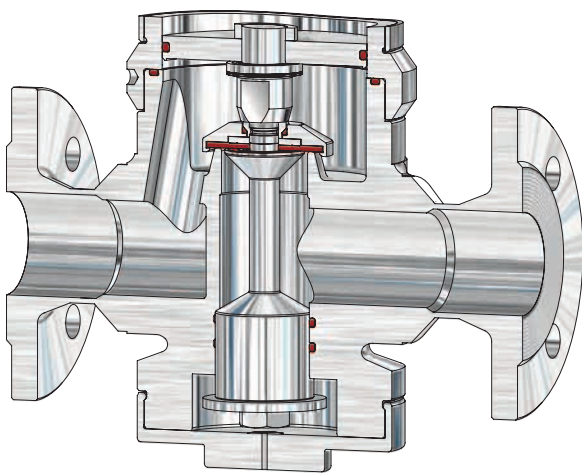
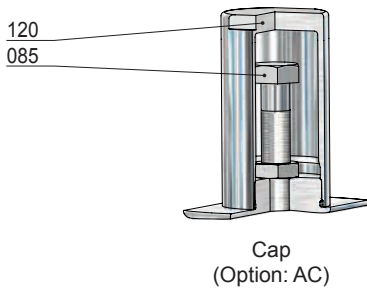
Item	Piece	Description	Item	Piece	Description
302	1	valve body	120	1	cap
030	1	spring bonnet	300	1	piston
060 *	1	disc, complete	304	1	inlet pressure piston
560	1	disc	310	1	piston plate
061	1	pressure piece	311	1	distance bush
062	1	soft sealing	314	1	lock nut
071	1	o-ring	329 *	1	o-ring
072	1	locking ring	347	1	screw
073	1	o-ring <i>(only for thermoplastics soft sealing)</i>	350 *	1	o-ring
079	1	lift stopper	351 *	1	o-ring
081	1	spring	352 *	1	o-ring
082	1	springplate, upper	357	1	bottom plug
084	1	springplate, lower	362	1	adapter
085	1	adjusting screw			
086	1	lock nut			

\* expendable parts

# Initial-Pressure-Controller, springloaded

for steam, gases and liquids

## Typ 81



Size IIIB

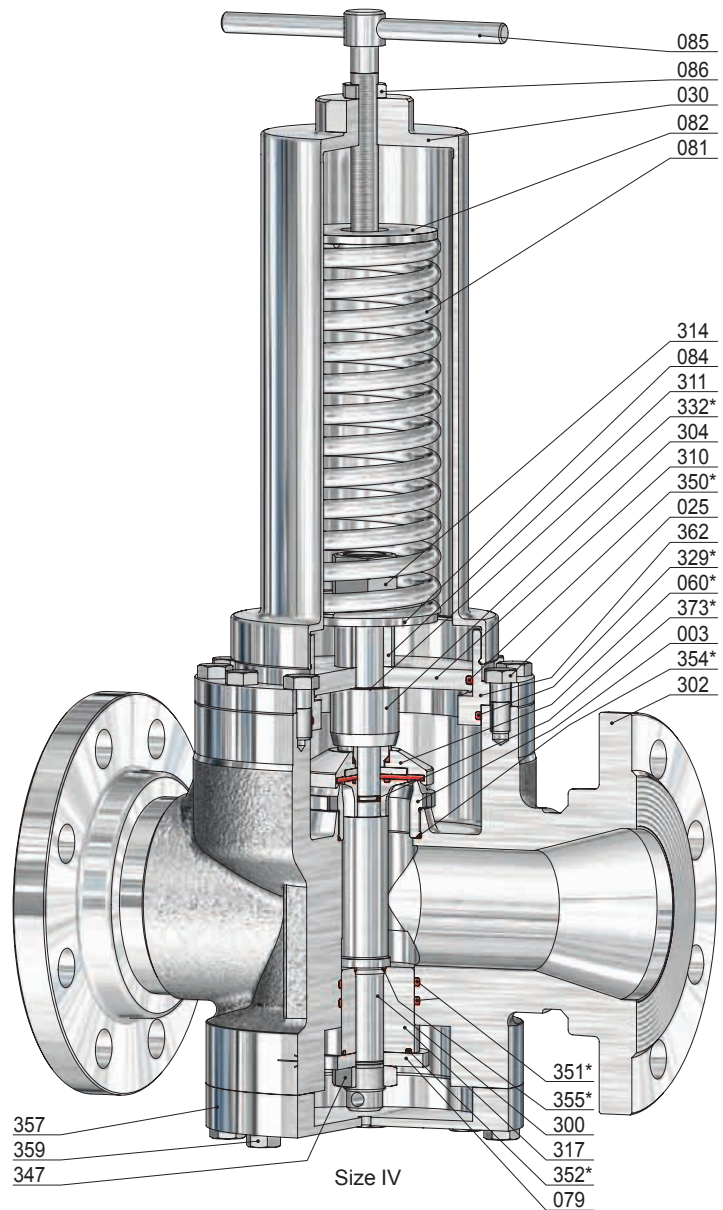
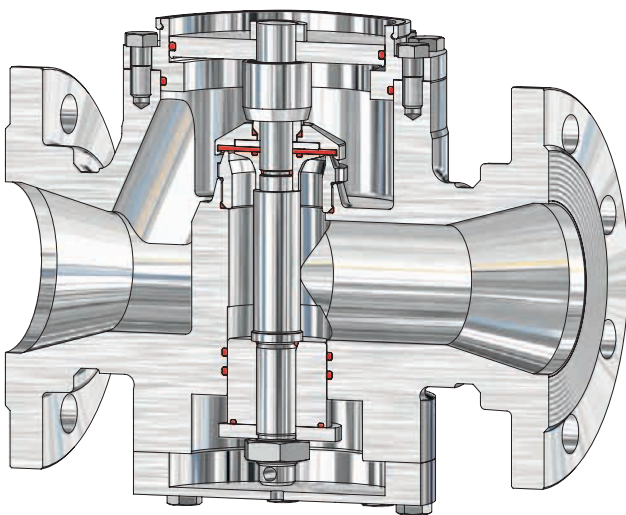
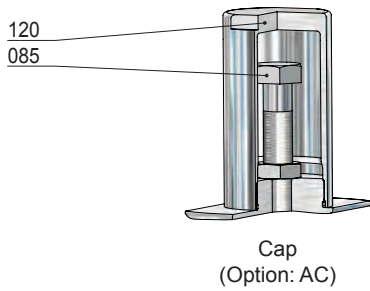
Item	Piece	Description	Item	Piece	Description
302	1	valve body	120	1	cap
030	1	spring bonnet	300	1	piston
060 *	1	disc, complete	304	1	inlet pressure piston
560	1	disc	310	1	piston plate
061	1	pressure piece	311	1	distance bush
062	1	soft sealing	314	1	lock nut
071	1	o-ring	329 *	1	o-ring
072	1	locking ring	347	1	screw
073	1	o-ring (only for thermoplastics soft sealing)	350 *	1	o-ring
079	1	lift stopper	351 *	2	o-ring
081	1	spring	352 *	1	o-ring
082	1	springplate, upper	357	1	bottom plug
084	1	springplate, lower	362	1	adapter
085	1	adjusting screw			
086	1	lock nut			

\* expendable parts

# Initial-Pressure-Controller, springloaded

for steam, gases and liquids

## Typ 81



Item	Piece	Description	Item	Piece	Description	Item	Piece	Description
302	1	valve body	081	1	spring	332 *	1	o-ring
003	1	seat	082	1	springplate, upper	347	1	screw
025	12	screw	084	1	springplate, lower	350 *	1	o-ring
030	1	spring bonnet	085	1	adjusting screw	351 *	2	o-ring
060 *	1	disc, complete	086	1	lock nut	352 *	1	o-ring
560	1	disc	120	1	cap	354 *	1	o-ring
061	1	pressure piece	300	1	piston	355 *	1	o-ring
062	1	soft sealing	304	1	inlet pressure piston	357	1	bottom plug
071	1	o-ring	310	1	piston plate	359	8	screw
072	1	locking ring	311	1	distance bush	362	1	adapter
073	1	o-ring	314	2	lock nut	373 *	1	o-ring
074	1	disc plate	317	1	piston guide			
079	1	lift stopper	329 *	1	o-ring			

\* expendable parts