

Initial-Pressure-Controller, springloaded

for steam, gases and liquids

Typ 80 SKS

Standard version:

Material:
Typ 80 SKS: BG I - II Valve-body / media contact surfaces 1.4301 / 1.4571
BG I - IIIB 1.4435 / 1.4404

Connections:
 Aseptic flange e.g. DIN 11864-2 **F (...)**
 Flange e.g. DIN 2633 (PN16) **F**
 Screwed connection e.g. DIN ISO 228 **IG**
 Male union e.g. DIN 11851 **GA, GA (...)**
 Clamp liner e.g. DIN 32676 **CL, CL (...)**

Options:
 CIP able design
 Air loaded
 Surface quality inside and outside
 Seals with USP-, ADI-Certificate

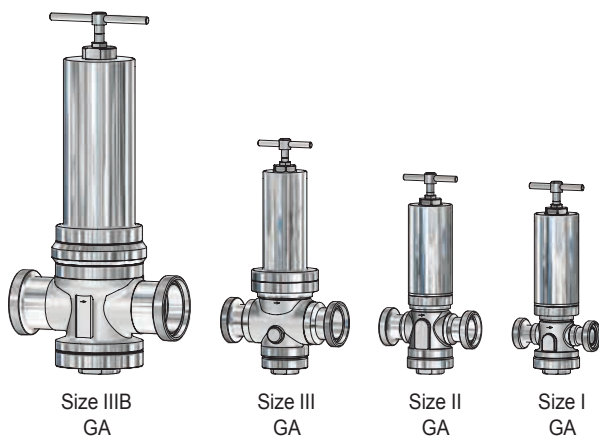
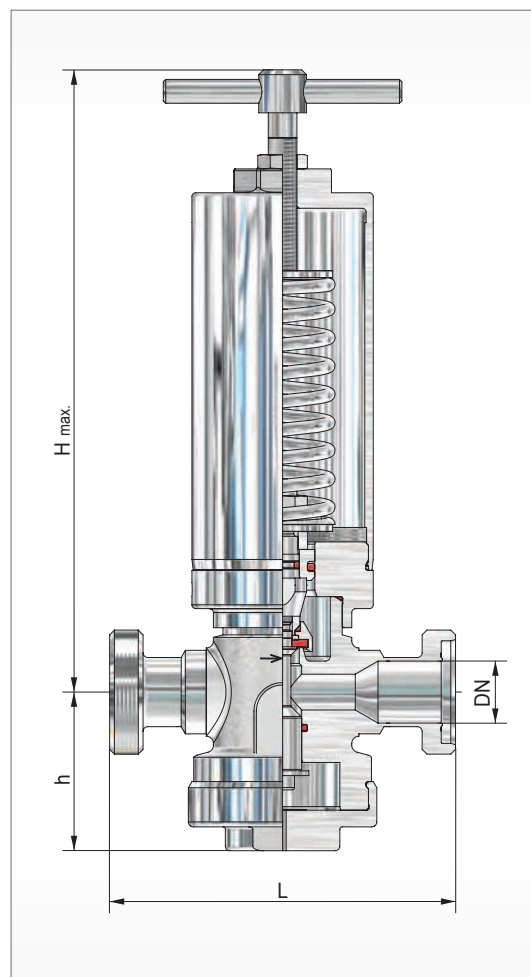
Sealings:
 AF100 (steam up to 200°C)
FDA-konforme sealings:
 EPDM (steam sterilisation up to 140°C)
 PTFE, EPDM (steam up to 150°C)
 PTFE, EPDM (steam up to 200°C)

Features:

- Forged valve body
- Loaded disc, reprints independent
- Medium-contacted inner parts Ra ≤ 2,6 µm
- Piston controlled
- Steam sterilisation up to 140°C

Approvals:

Pressure Equipment Directive: 97/23/EG
 Declaration of Conformity



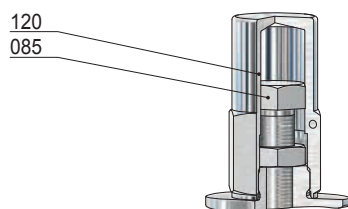
Size	Inlet			Outlet		Dimensions				Kvs value
	PN			DN	NPS	Height H max.				
	DN	NPS	Initial pressure range P1 min. [bar(g)] max.			Toggle spindle [mm]	Cap [mm]	L [mm]	h [mm]	[m³/h]
I	15	1/2	0,35 / 59,00	15	1/2	see page (A 80 SKS)				3,0
	20	3/4		20	3/4					3,2
	25	1		25	1					3,5
	32	1 1/4		32	1 1/4					3,6
II	25	1	0,25 / 25,00	25	1					6,3
	32	1 1/4		32	1 1/4					6,5
	40	1 1/2		40	1 1/2					6,7
	50	2		50	2					7,0
	65	2 1/2		65	2 1/2					7,5
III	40	1 1/2	0,25 / 17,00	40	1 1/2					12,5
	50	2		50	2					13,0
	65	2 1/2		65	2 1/2					13,5
	80	3		80	3	14,0				
IIIB	50	2	0,25 / 12,00	50	2	27,5				
	65	2 1/2		65	2 1/2	28,0				
	80	3		80	3	28,5				

other design on request

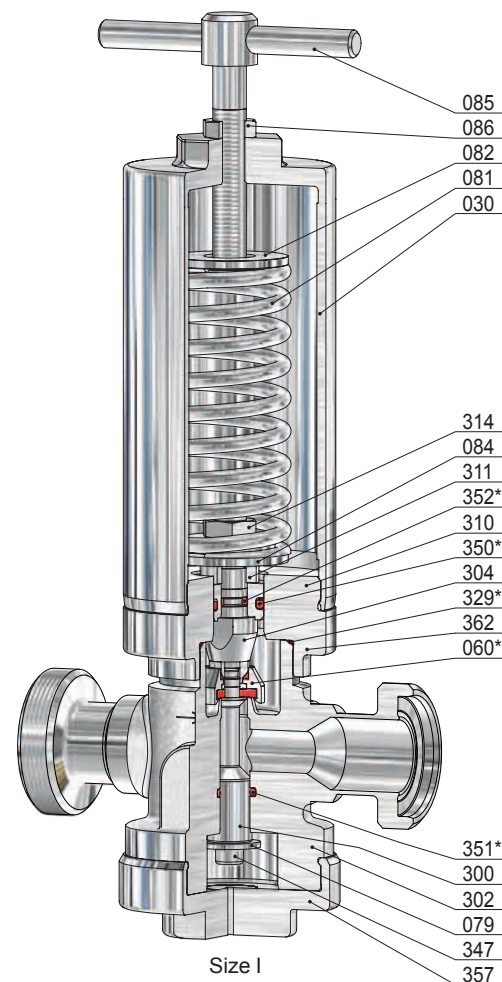
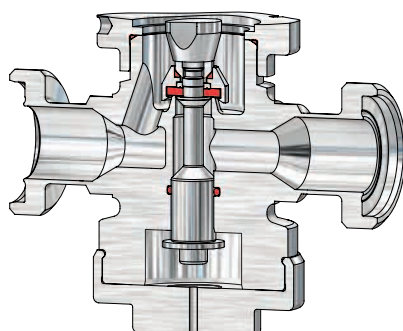
Initial-Pressure-Controller, springloaded

for steam, gases and liquids

Typ 80 SKS



Cap
(Option: AC)



Size I

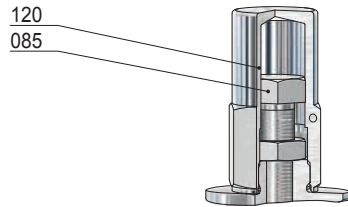
Item	Piece	Description	Item	Piece	Description
302	1	valve body	120	1	cap
030	1	spring bonnet	300	1	piston
060 *	1	disc, complete	304	1	inlet pressure piston
560	1	disc	310	1	piston plate
061	1	pressure piece	311	1	distance bush
062	1	soft sealing	314	1	lock nut
071	1	o-ring	329 *	1	o-ring
072	1	locking ring	347	1	screw
073	1	o-ring (only for thermoplastics soft sealing)	350 *	1	o-ring
079	1	lift stopper	351 *	1	o-ring
081	1	spring	352 *	1	o-ring
082	1	springplate, upper	357	1	bottom plug
084	1	springplate, lower	362	1	adapter
085	1	adjusting screw			
086	1	lock nut			

* expendable parts

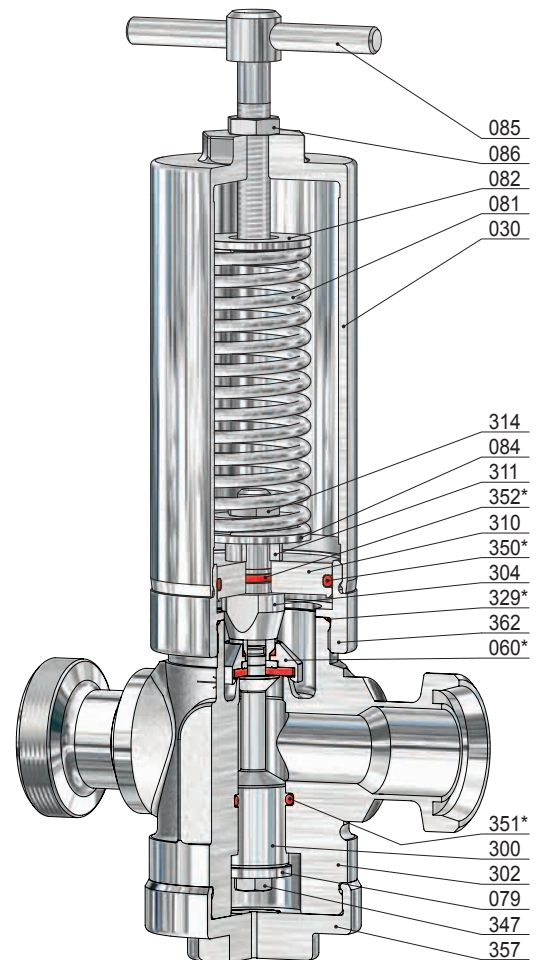
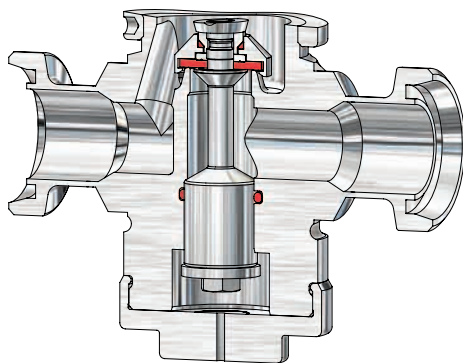
Initial-Pressure-Controller, springloaded

for steam, gases and liquids

Typ 80 SKS



Cap
(Option: AC)



Size II

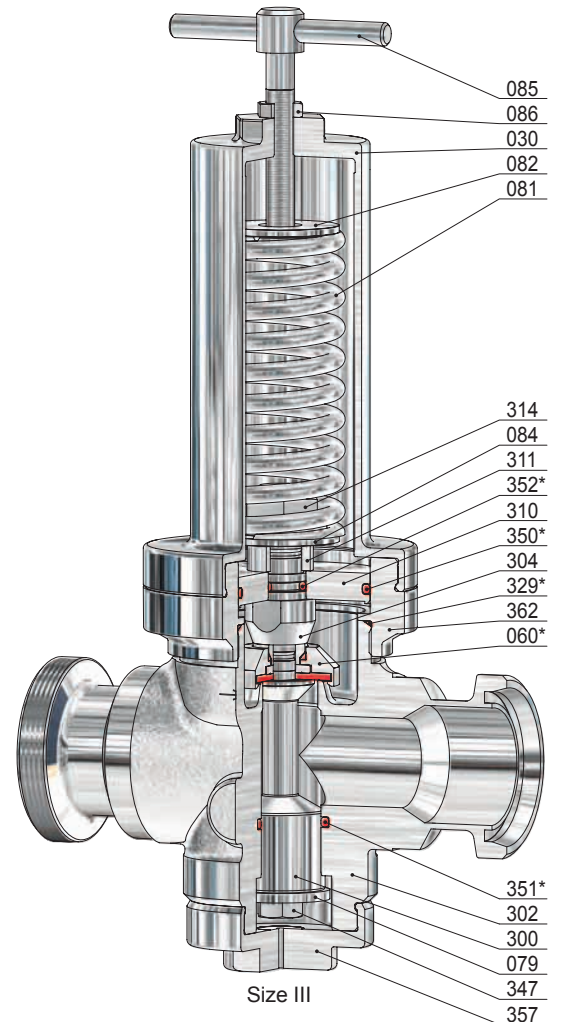
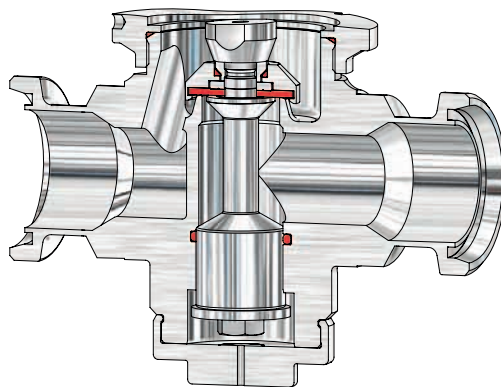
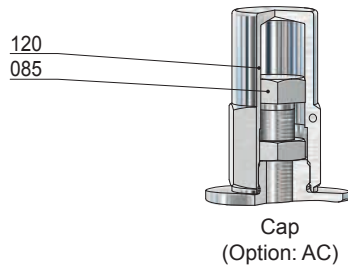
Item	Piece	Description	Item	Piece	Description
302	1	valve body	120	1	cap
030	1	spring bonnet	300	1	piston
060 *	1	disc, complete	304	1	inlet pressure piston
560	1	disc	310	1	piston plate
061	1	pressure piece	311	1	distance bush
062	1	soft sealing	314	1	lock nut
071	1	o-ring	329 *	1	o-ring
072	1	locking ring	347	1	screw
073	1	o-ring <i>(only for thermoplastics soft sealing)</i>	350 *	1	o-ring
079	1	lift stopper	351 *	1	o-ring
081	1	spring	352 *	1	o-ring
082	1	springplate, upper	357	1	bottom plug
084	1	springplate, lower	362	1	adapter
085	1	adjusting screw			
086	1	lock nut			

* expendable parts

Initial-Pressure-Controller, springloaded

for steam, gases and liquids

Typ 80 SKS



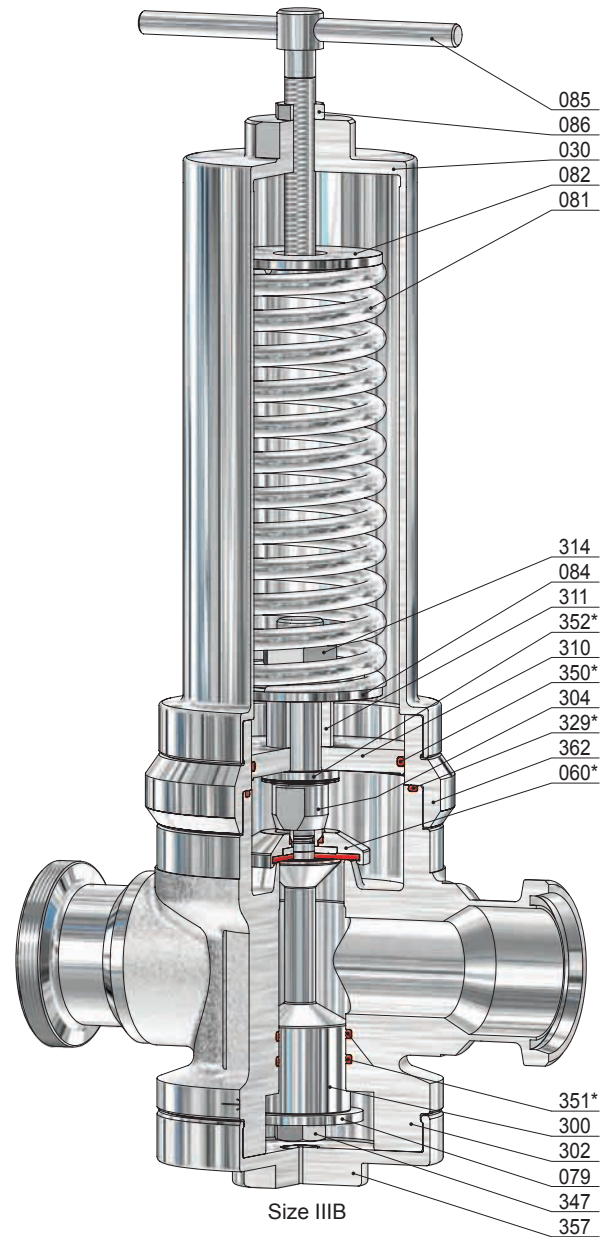
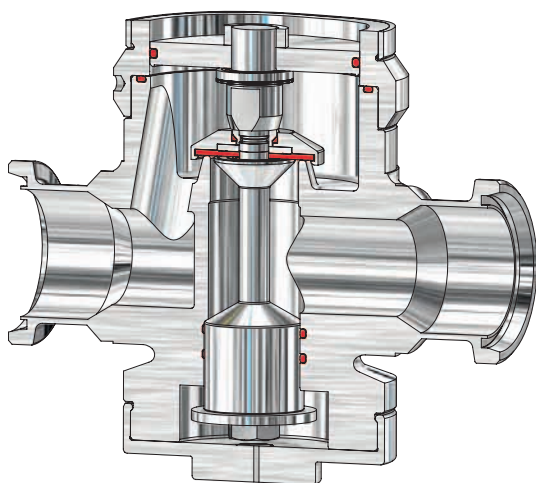
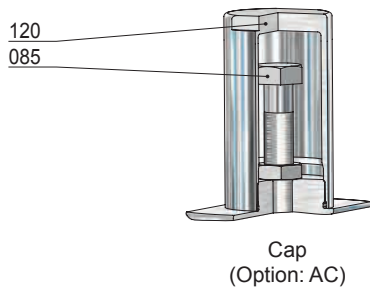
Item	Piece	Description	Item	Piece	Description
302	1	valve body	120	1	cap
030	1	spring bonnet	300	1	piston
060 *	1	disc, complete	304	1	inlet pressure piston
560	1	disc	310	1	piston plate
061	1	pressure piece	311	1	distance bush
062	1	soft sealing	314	1	lock nut
071	1	o-ring	329 *	1	o-ring
072	1	locking ring	347	1	screw
073	1	o-ring (only for thermoplastics soft sealing)	350 *	1	o-ring
079	1	lift stopper	351 *	1	o-ring
081	1	spring	352 *	1	o-ring
082	1	springplate, upper	357	1	bottom plug
084	1	springplate, lower	362	1	adapter
085	1	adjusting screw			
086	1	lock nut			

* expendable parts

Initial-Pressure-Controller, springloaded

for steam, gases and liquids

Typ 80 SKS



Item	Piece	Description	Item	Piece	Description
302	1	valve body	120	1	cap
030	1	spring bonnet	300	1	piston
060 *	1	disc, complete	304	1	inlet pressure piston
560	1	disc	310	1	piston plate
061	1	pressure piece	311	1	distance bush
062	1	soft sealing	314	1	lock nut
071	1	o-ring	329 *	1	o-ring
072	1	locking ring	347	1	screw
073	1	o-ring (only for thermoplastics soft sealing)	350 *	1	o-ring
079	1	lift stopper	351 *	2	o-ring
081	1	spring	352 *	1	o-ring
082	1	springplate, upper	357	1	bottom plug
084	1	springplate, lower	362	1	adapter
085	1	adjusting screw			
086	1	lock nut			

* expendable parts