

Initial-Pressure-Controller, springloaded

for steam, gases and liquids

Typ 80 SKK

Standard version:

Material: Valve-body / media contact surfaces
Typ 80 SKK: BG 0 1.4301 / 1.4571
 1.4435 / 1.4404

Connections:
 Aseptic flange e.g. DIN 11864-2 **F (...)**
 Flange e.g. DIN 2633 (PN16) **F**
 Screwed connection e.g. DIN ISO 228 **IG**
 Male union e.g. DIN 11851 **GA, GA (...)**
 Clamp liner e.g. DIN 32676 **CL, CL (...)**

Options:
 CIP able design
 Air loaded
 Surface quality inside and outside
 Seals with USP-, ADI-Certificate

Sealings:
 AF100 (steam up to 200°C)
FDA-konforme sealings:
 EPDM (steam sterilisation up to 140°C)
 PTFE, EPDM (steam up to 150°C)
 PTFE, EPDM (steam up to 200°C)

Features:

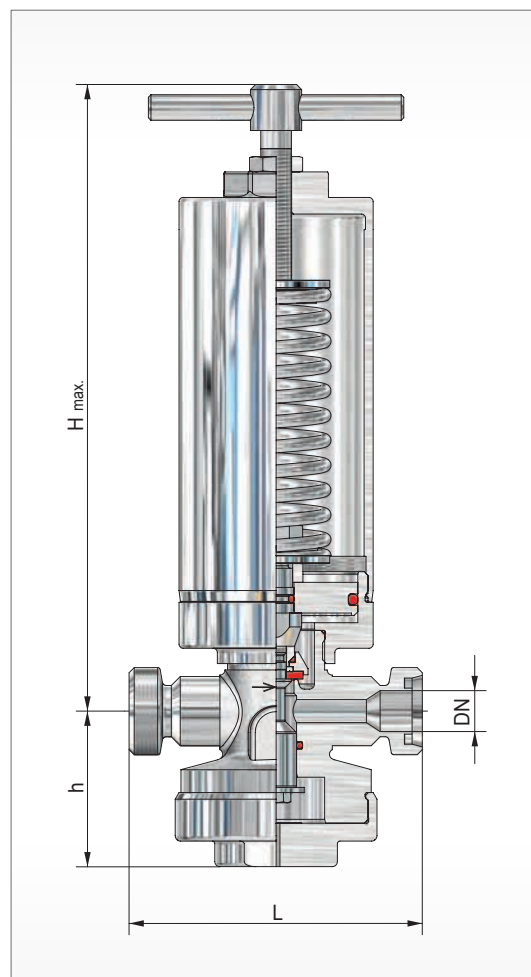
- Forged valve body
- Loaded disc, reprints independent
- Medium-contacted inner parts Ra ≤ 2,6 µm
- Piston controlled
- Steam sterilisation up to 140°C

Approvals:

Pressure Equipment Directive: 97/23/EG
 Declaration of Conformity



Size 0
GA



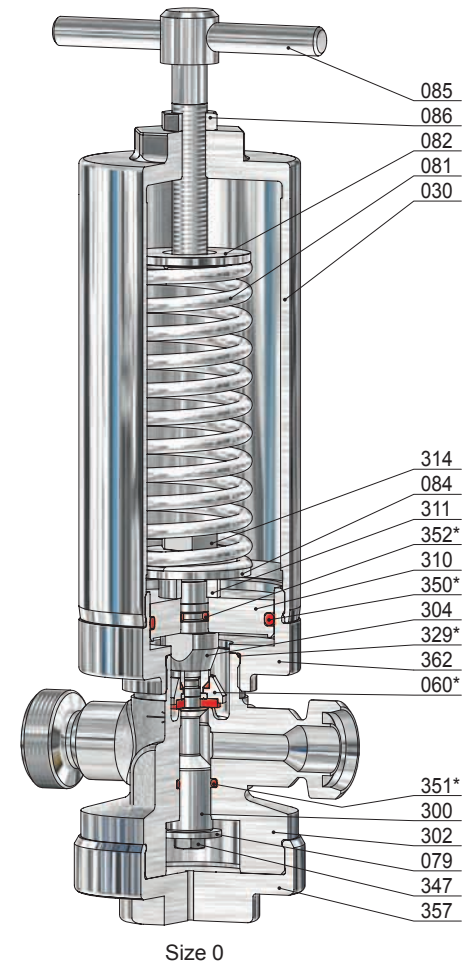
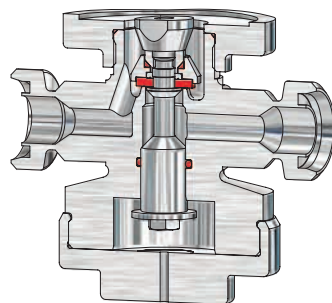
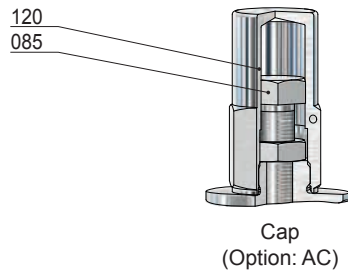
Size	Inlet			Outlet		Dimensions				Kvs value [m³/h]
	PN			DN	NPS	Height H max.				
	DN	NPS	Initial pressure range P1 min. [bar(g)] max.			Toggle spindle [mm]	Cap [mm]	L [mm]	h [mm]	
0	8 10 15	1/4 3/8 1/2	0,35 / 104,00	8 10 15	1/4 3/8 1/2	see page (A 80 SKK)				1,2 2,0 2,2

other design on request

Initial-Pressure-Controller, springloaded

for steam, gases and liquids

Typ 80 SKK



Item	Piece	Description	Item	Piece	Description
302	1	valve body	120	1	cap
030	1	spring bonnet	300	1	piston
060 *	1	disc, complete	304	1	inlet pressure piston
560	1	disc	310	1	piston plate
061	1	pressure piece	311	1	distance bush
062	1	soft sealing	314	1	lock nut
071	1	o-ring	329 *	1	o-ring
072	1	locking ring	347	1	screw
073	1	o-ring (only for thermoplastics soft sealing)	350 *	1	o-ring
079	1	lift stopper	351 *	1	o-ring
081	1	spring	352 *	1	o-ring
082	1	springplate, upper	357	1	bottom plug
084	1	springplate, lower	362	1	adapter
085	1	adjusting screw			
086	1	lock nut			

* expendable parts