

Initial-Pressure-Controller, springloaded

for steam, gases and liquids

Typ 80 SKG

Standard version:

Material: Valve-body / media contact surfaces
Typ 80 SKG: BG IV 1.4435 / 1.4404
 1.4571 / 1.4571

Connections:
 Aseptic flange e.g. DIN 11864-2 **F(...)**
 Flange e.g. DIN 2633 (PN16) **F**
 Male union e.g. DIN 11851 **GA, GA (...)**

Options:
 CIP able design
 Air loaded
 Surface quality inside and outside
 Seals with USP-, ADI-Certificate

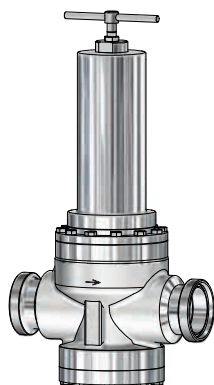
Sealings:
 AF100 (steam up to 200°C)
FDA-konforme sealings:
 EPDM (steam sterilisation up to 140°C)
 PTFE, EPDM (steam up to 150°C)
 PTFE, EPDM (steam up to 200°C)

Features:

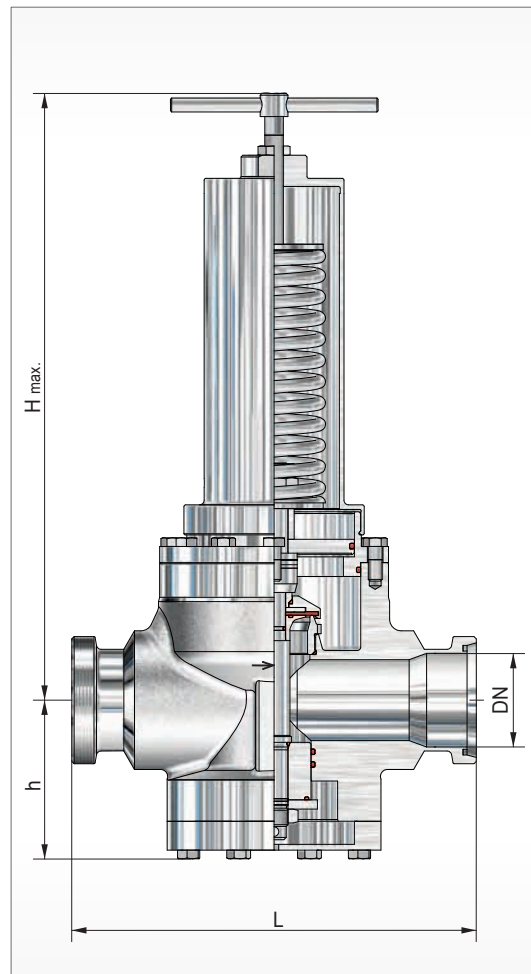
- Forged valve body
- Loaded disc, reprints independent
- Medium-contacted inner parts $Ra \leq 2,6 \mu m$
- Piston controlled
- Steam sterilisation up to 140°C

Approvals:

Pressure Equipment Directive: 97/23/EG
 Declaration of Conformity



Size IV
GA



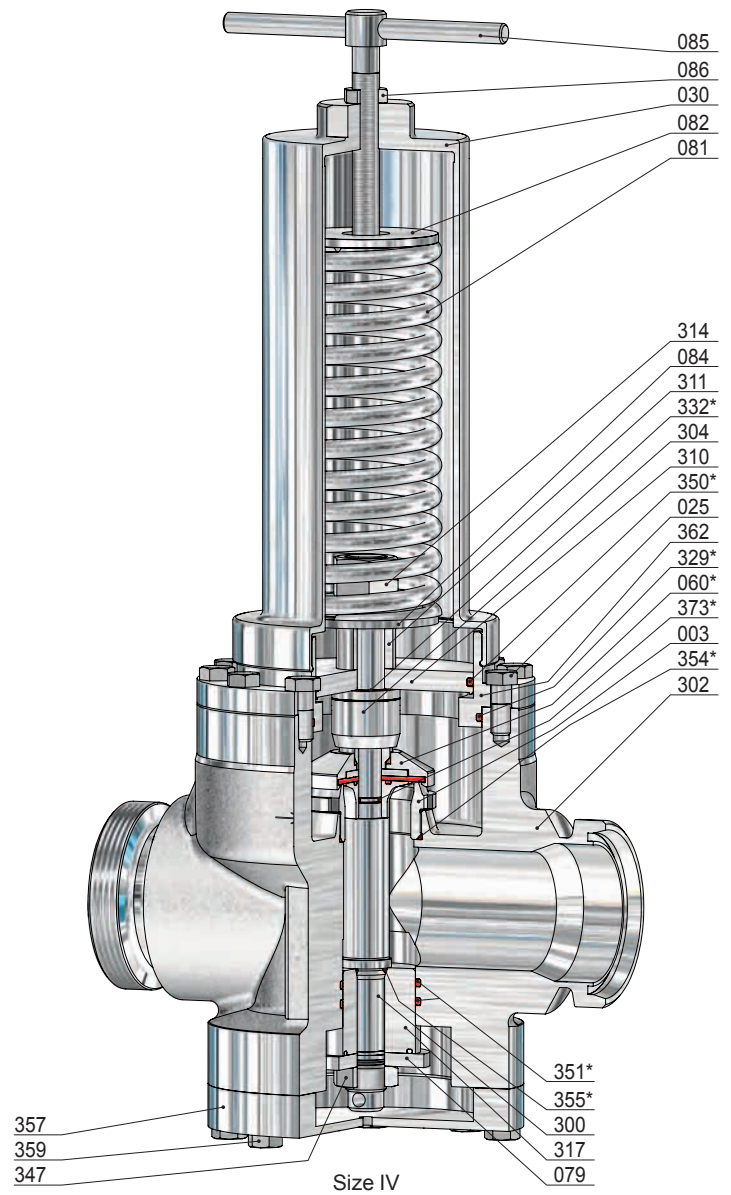
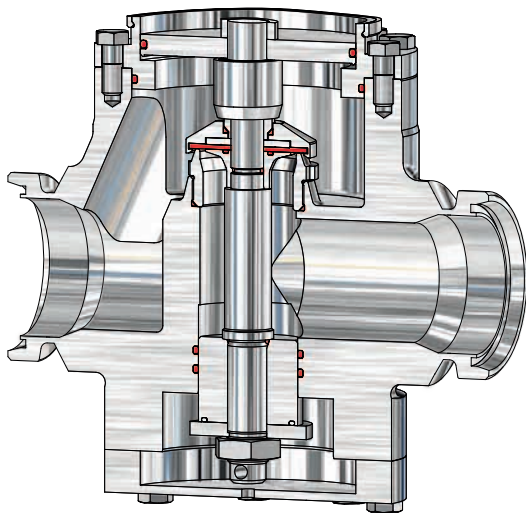
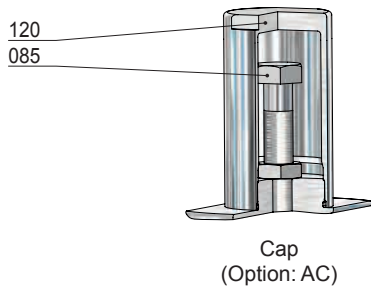
Size	Inlet			Outlet		Dimensions				Kvs value	
	DN	NPS	PN		DN	NPS	Height H max.				
			min.	max.			Toggle spindle [mm]	Cap [mm]	L [mm]	h [mm]	[m³/h]
IV	65	2 1/2	0,20	/ 13,20	65	2 1/2	see page (A 80 SKG)				48,0
	80	3			80	3					50,0
	100	4			100	4					53,0

other design on request

Initial-Pressure-Controller, springloaded

for steam, gases and liquids

Typ 80 SKG



Item	Piece	Description	Item	Piece	Description	Item	Piece	Description
302	1	valve body	081	1	spring	332 *	1	o-ring
003	1	seat	082	1	springplate, upper	347	1	screw
025	12	screw	084	1	springplate, lower	350 *	1	o-ring
030	1	spring bonnet	085	1	adjusting screw	351 *	2	o-ring
060 *	1	disc, complete	086	1	lock nut	354 *	1	o-ring
560	1	disc	120	1	cap	355 *	1	o-ring
061	1	pressure piece	300	1	piston	357	1	bottom plug
062	1	soft sealing	304	1	inlet pressure piston	359	8	screw
071	1	o-ring	310	1	piston plate	362	1	adapter
072	1	locking ring	311	1	distance bush	373 *	1	o-ring
073	1	o-ring	314	2	lock nut			
074	1	disc plate	317	1	piston guide			
079	1	lift stopper	329 *	1	o-ring			

* expendable parts