

Pressure-Reducing-Valve, springloaded

for steam, gases and liquids

Typ 71

Standard version:

Material: Valve-body / media contact surfaces

Typ 71.2: BG 0 - II 1.4301, 1.4571 / 1.4571

 BG III - IV 1.4571 / 1.4571

Connections:

Flange connections: DIN EN / ASME B16.5

Sealings:

FPM, EPDM

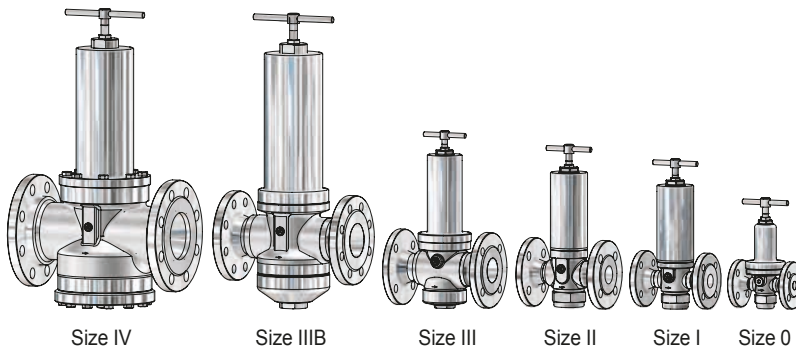
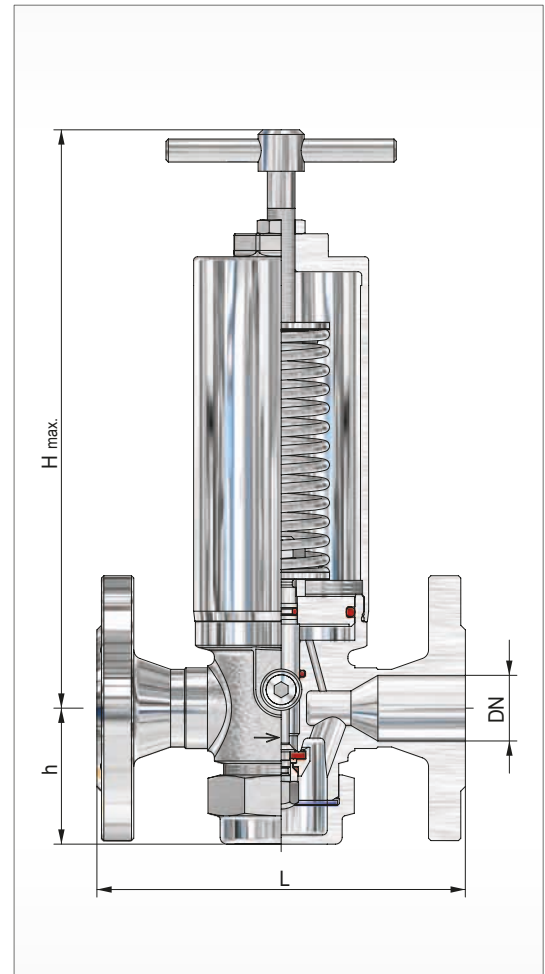
PTFE, EPDM (steam up to 150°C)

PTFE, AF100, EPDM (steam up to 200°C)

Approvals:

Pressure Equipment Directive: 97/23/EG

Declaration of Conformity



Size	Inlet			Outlet			Dimensions				Kvs value [m³/h]	
	DN	NPS	Inlet pressure range P1 [bar(g)] max.	DN	NPS	Reduced pressure range P2 min. [bar(g)] max.	Height H max.					
							Toggle spindle [mm]	Cap [mm]	L [mm]	h [mm]		
0	10	-	63	10	-	0,35 / 17,00	205	180	130	48	2,0	
	15	1/2		15	1/2							2,2
I	15	1/2	100	15	1/2	0,35 / 73,00	275	255	130	58	3,0	
	20	3/4		20	3/4							3,2
	25*	1*		25*	1*							3,5
II	25	1	63	25	1	0,25 / 23,00	305	265	160	68	6,3	
	32	1 1/4		32	1 1/4							6,5
	40*	1 1/2*		40*	1 1/2*							6,7
III	40	1 1/2	63	40	1 1/2	0,25 / 17,00	325	305	200	85	12,5	
	50	2		50	2							13,0
	65*	2 1/2*		65*	2 1/2*							13,5
IIIB	50	2	40	50	2	0,25 / 12,00	545	495	300	145	27,5	
	65	2 1/2		65	2 1/2							28,0
	80	3		80	3							28,5
IV	65	2 1/2	40	65	2 1/2	0,20 / 12,00	550	505	290	157	48,0	
	80	3		80	3							50,0
	100	4		100	4							53,0

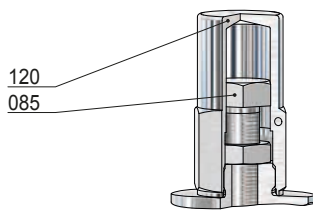
other design on request

* special size

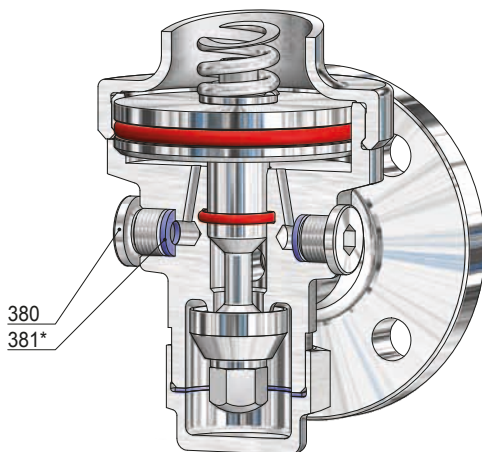
Pressure-Reducing-Valve, springloaded

for steam, gases and liquids

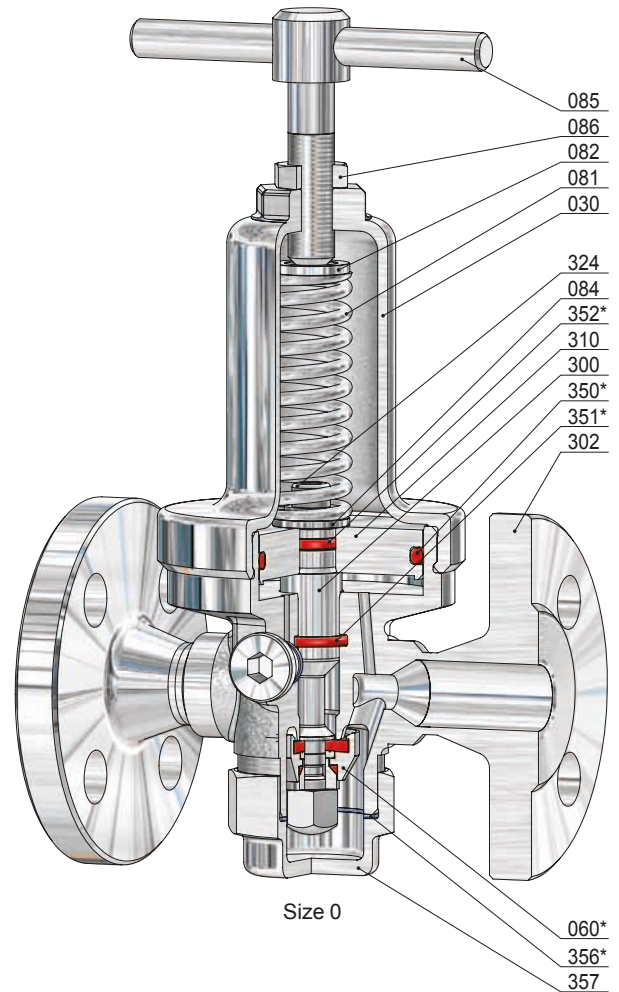
Typ 71



Cap
(Option: AC)



Manometer connection G 1/4



Size 0

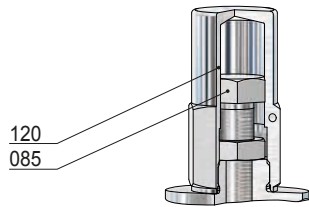
Item	Piece	Description	Item	Piece	Description
302	1	valve body	086	1	lock nut
030	1	spring bonnet	120	1	cap
060 *	1	disc, complete	300	1	piston
560	1	disc	310	1	piston plate
061	1	pressure piece	324	1	screw
062	1	soft sealing	350 *	1	o-ring
065	1	disc bolt	351 *	1	o-ring
071	1	o-ring	352 *	1	o-ring
072	1	locking ring	356 *	1	sealing ring
073	1	o-ring <i>(only for thermoplastics soft sealing)</i>	357	1	bottom plug
081	1	spring	380	2	screw plug
082	1	springplate, upper	381 *	2	sealing ring
084	1	springplate, lower			
085	1	adjusting screw			

* expendable parts

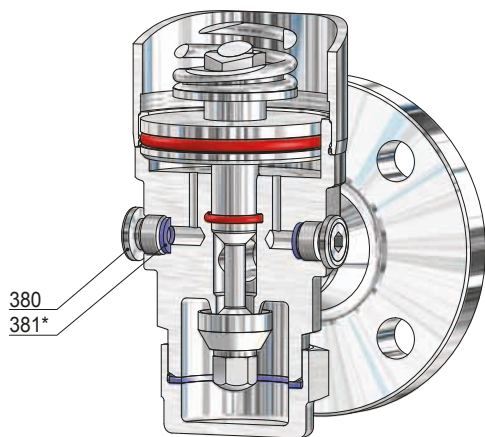
Pressure-Reducing-Valve, springloaded

for steam, gases and liquids

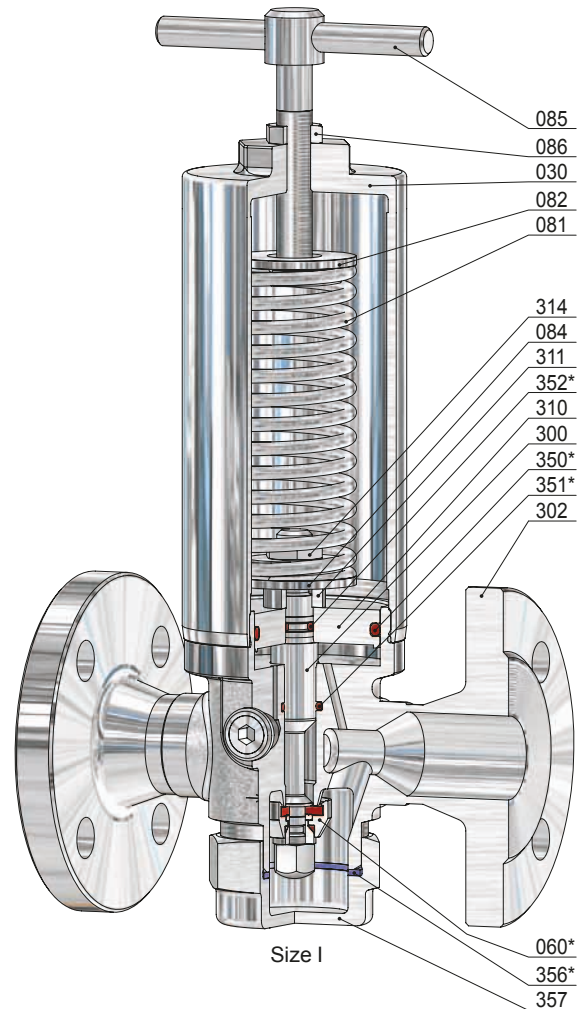
Typ 71



Cap
(Option: AC)



Manometer connection G ¼



Size I

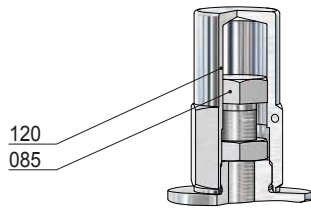
Item	Piece	Description	Item	Piece	Description
302	1	valve body	086	1	lock nut
030	1	spring bonnet	120	1	cap
060 *	1	disc, complete	300	1	piston
560	1	disc	310	1	piston plate
061	1	pressure piece	311	1	distance bush
062	1	soft sealing	314	1	lock nut
065	1	disc bolt	350 *	1	o-ring
071	1	o-ring	351 *	1	o-ring
072	1	locking ring	352 *	1	o-ring
073	1	o-ring <i>(only for thermoplastics soft sealing)</i>	356 *	1	sealing ring
081	1	spring	357	1	bottom plug
082	1	springplate, upper	380	2	screw plug
084	1	springplate, lower	381 *	2	sealing ring
085	1	adjusting screw			

* expendable parts

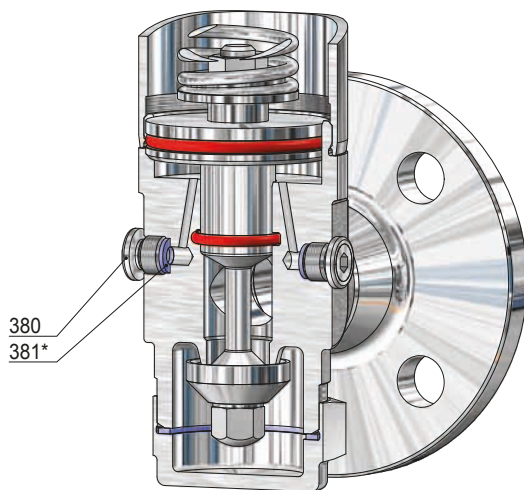
Pressure-Reducing-Valve, springloaded

for steam, gases and liquids

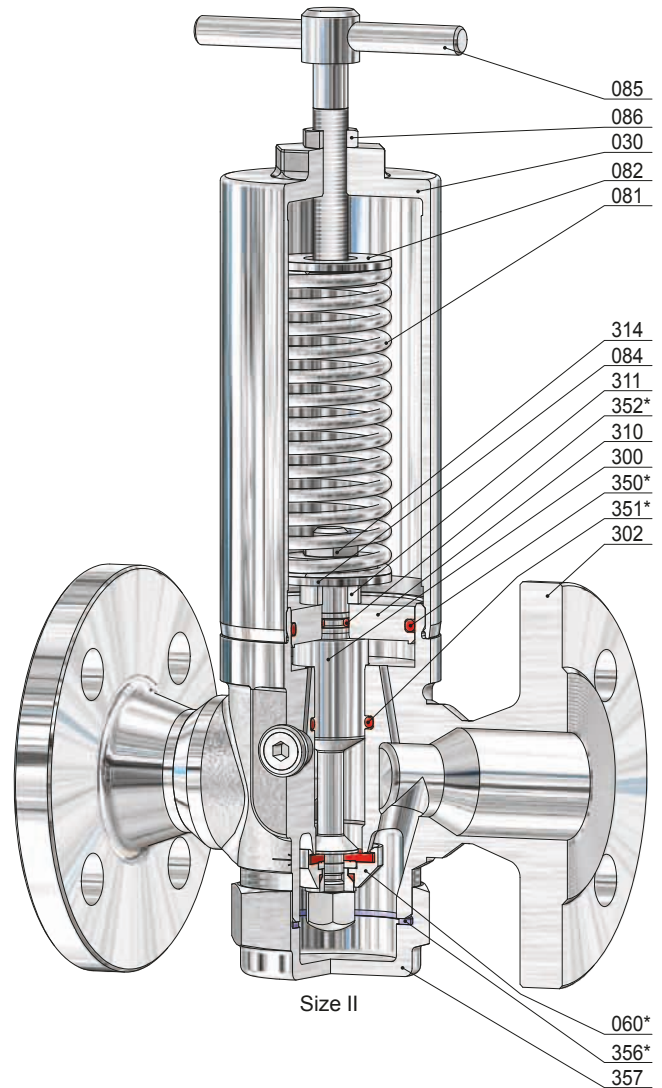
Typ 71



Cap
(Option: AC)



Manometer connection G 1/4



Size II

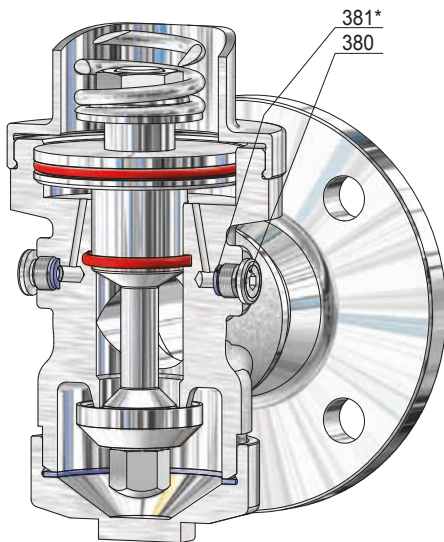
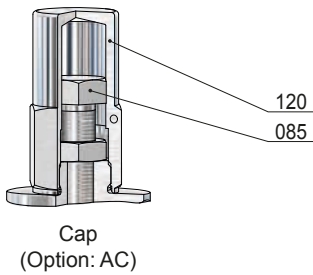
Item	Piece	Description	Item	Piece	Description
302	1	valve body	086	1	lock nut
030	1	spring bonnet	120	1	cap
060 *	1	disc, complete	300	1	piston
560	1	disc	310	1	piston plate
061	1	pressure piece	311	1	distance bush
062	1	soft sealing	314	1	lock nut
065	1	disc bolt	350 *	1	o-ring
071	1	o-ring	351 *	1	o-ring
072	1	locking ring	352 *	1	o-ring
073	1	o-ring <i>(only for thermoplastics soft sealing)</i>	356 *	1	sealing ring
081	1	spring	357	1	bottom plug
082	1	springplate, upper	380	2	screw plug
084	1	springplate, lower	381 *	2	sealing ring
085	1	adjusting screw			

* expendable parts

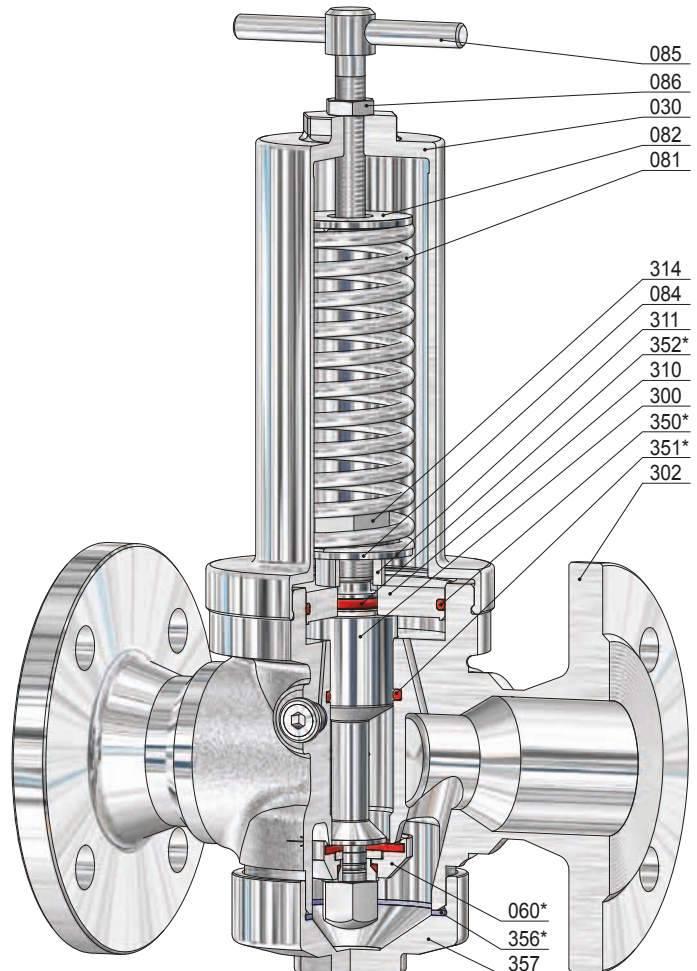
Pressure-Reducing-Valve, springloaded

for steam, gases and liquids

Typ 71



Manometer connection G 1/4



Size III

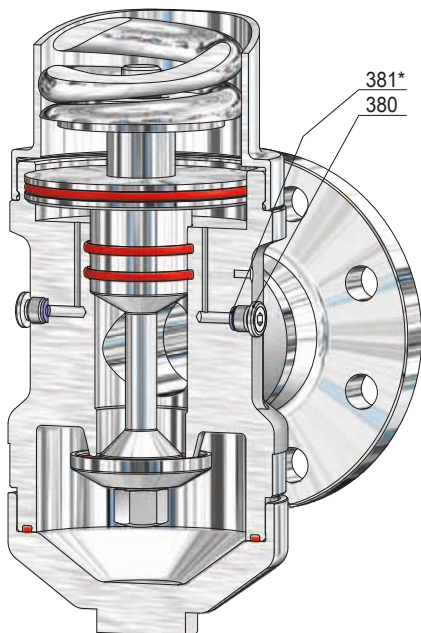
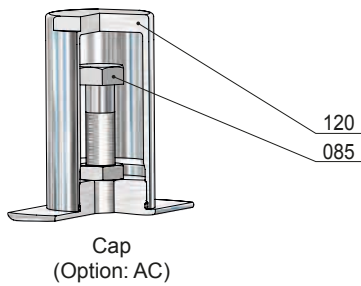
Item	Piece	Description	Item	Piece	Description
302	1	valve body	086	1	lock nut
030	1	spring bonnet	120	1	cap
060 *	1	disc, complete	300	1	piston
560	1	disc	310	1	piston plate
061	1	pressure piece	311	1	distance bush
062	1	soft sealing	314	1	lock nut
065	1	disc bolt	350 *	1	o-ring
071	1	o-ring	351 *	1	o-ring
072	1	locking ring	352 *	1	o-ring
073	1	o-ring <i>(only for thermoplastics soft sealing)</i>	356 *	1	sealing ring
081	1	spring	357	1	bottom plug
082	1	springplate, upper	380	2	screw plug
084	1	springplate, lower	381 *	2	sealing ring
085	1	adjusting screw			

* expendable parts

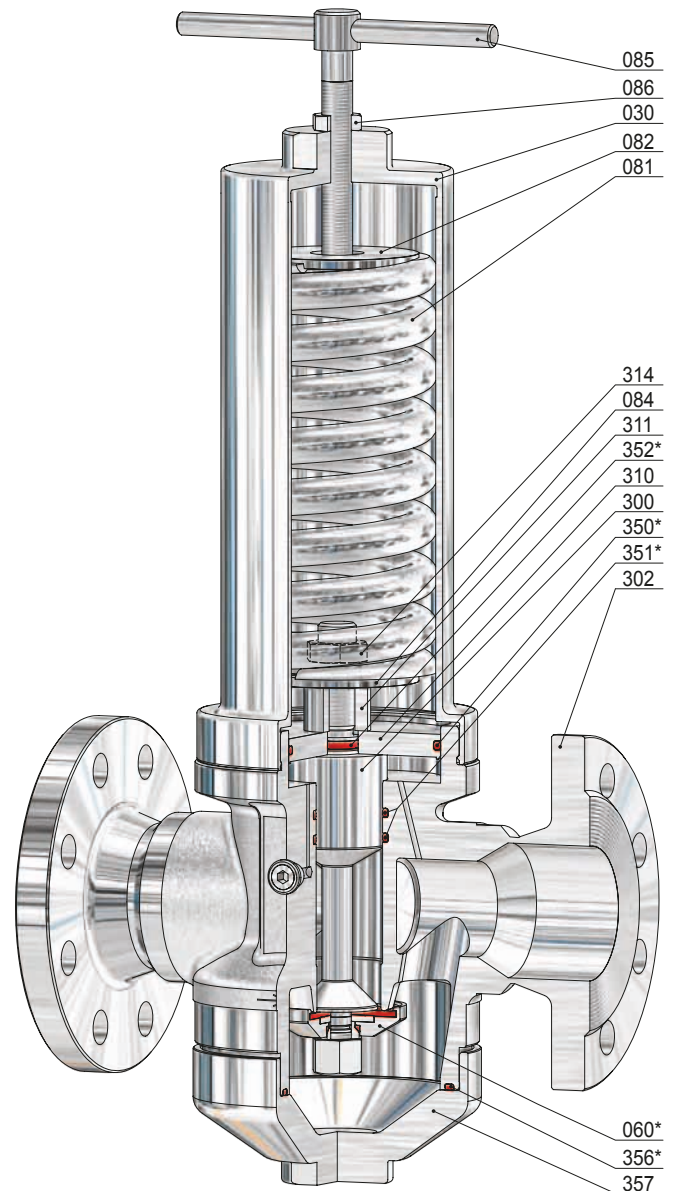
Pressure-Reducing-Valve, springloaded

for steam, gases and liquids

Typ 71



Manometer connection G ¼



Size III B

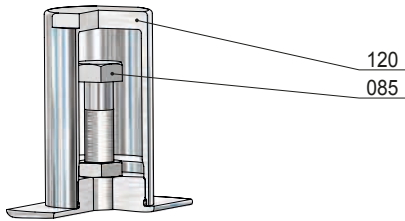
Item	Piece	Description	Item	Piece	Description
302	1	valve body	086	1	lock nut
030	1	spring bonnet	120	1	cap
060 *	1	disc, complete	300	1	piston
560	1	disc	310	1	piston plate
061	1	pressure piece	311	1	distance bush
062	1	soft sealing	314	1	lock nut
065	1	disc bolt	350 *	1	o-ring
071	1	o-ring	351 *	2	o-ring
072	1	locking ring	352 *	1	o-ring
073	1	o-ring <i>(only for thermoplastics soft sealing)</i>	356 *	1	sealing ring
081	1	spring	357	1	bottom plug
082	1	springplate, upper	380	2	screw plug
084	1	springplate, lower	381 *	2	sealing ring
085	1	adjusting screw			

* expendable parts

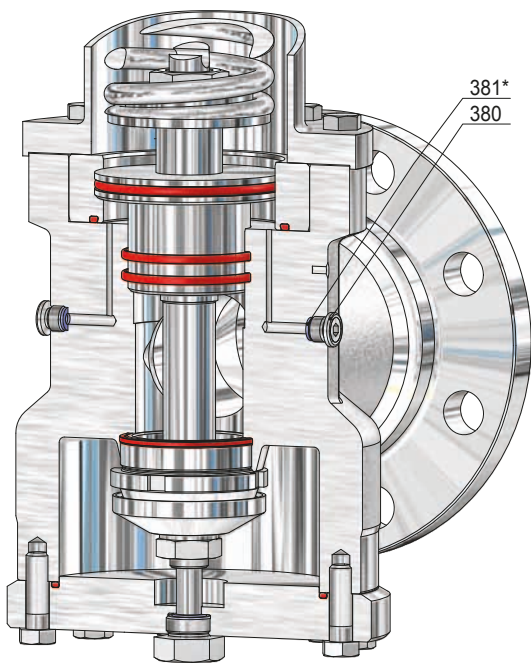
Pressure-Reducing-Valve, springloaded

for steam, gases and liquids

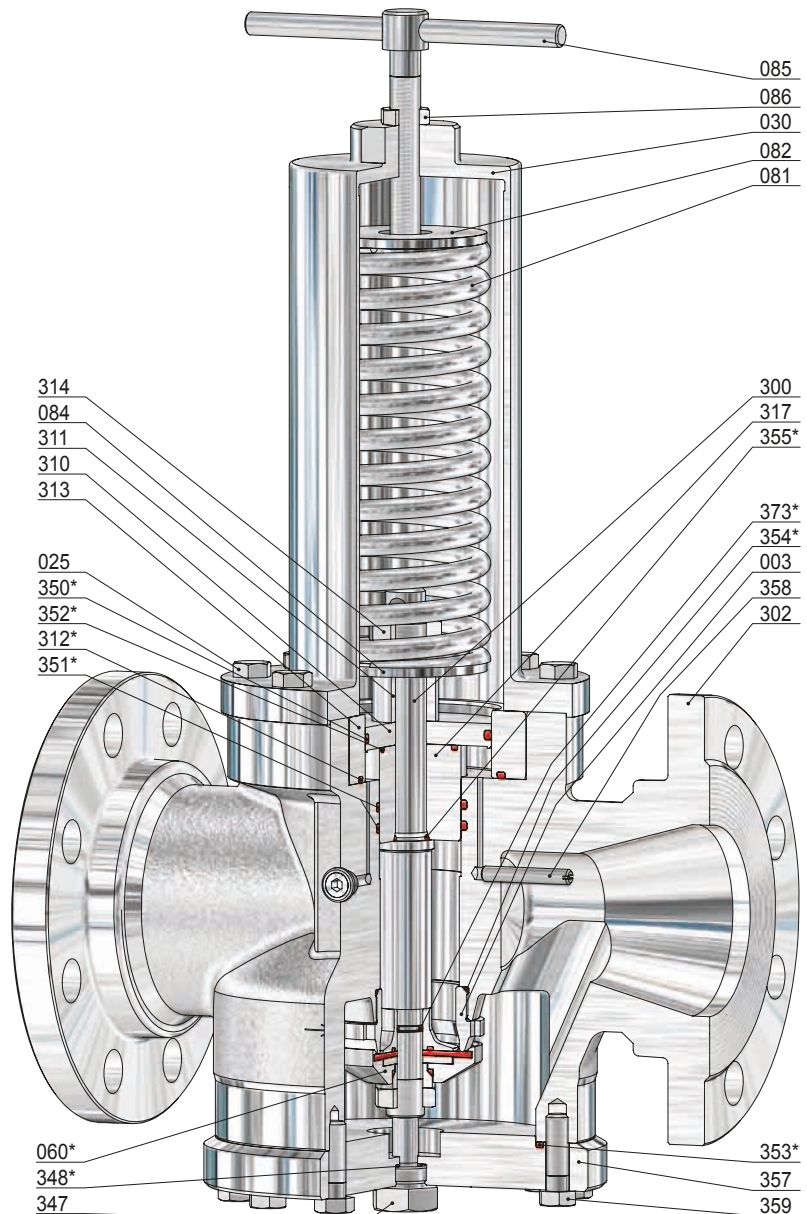
Typ 71



Cap
(Option: AC)



Manometer connection G 1/4



Size IV

Item	Piece	Description	Item	Piece	Description	Item	Piece	Description
302	1	valve body	082	1	springplate, upper	350 *	1	o-ring
003	1	seat	084	1	springplate, lower	351 *	2	o-ring
025	8	screw	085	1	adjusting screw	352 *	1	o-ring
030	1	spring bonnet	086	1	lock nut	353 *	1	o-ring
060 *	1	disc, complete	120	1	cap	354 *	1	o-ring
560	1	disc	300	1	piston	355 *	1	o-ring
061	1	pressure piece	310	1	piston plate	357	1	bottom plug
062	1	soft sealing	311	1	distance bush	358	1	suction tube
065	1	disc bolt	312 *	1	o-ring	359	12	screw
071	1	o-ring	313	1	piston plate ring	373 *	1	o-ring
072	1	locking ring	314	2	lock nut	380	2	screw plug
073	1	o-ring	317	1	piston guide	381 *	2	sealing ring
074	1	disc plate	347	1	screw			
081	1	spring	348 *	1	o-ring			

* expendable parts