

Pressure-Reducing-Valve, springloaded

for steam, gases and liquids

Typ 70 SMS

Standard version:

Material: Valve-body / media contact surfaces
Typ 70 SMS: BG I - II 1.4301 / 1.4571
BG I - IIIB 1.4435 / 1.4404

Connections:
 Aseptic flange e.g. DIN 11864-2 **F (...)**
 Flange e.g. DIN 2633 (PN16) **F**
 Screwed connection e.g. DIN ISO 2 28 **IG**
 Male union e.g. DIN 11851 **GA, GA (...)**
 Clamp liner e.g. DIN 32676 **CL, CL (...)**

Options:
 CIP able design
 Air loaded
 Surface quality inside and outside
 Seals with USP-, ADI-Certificate

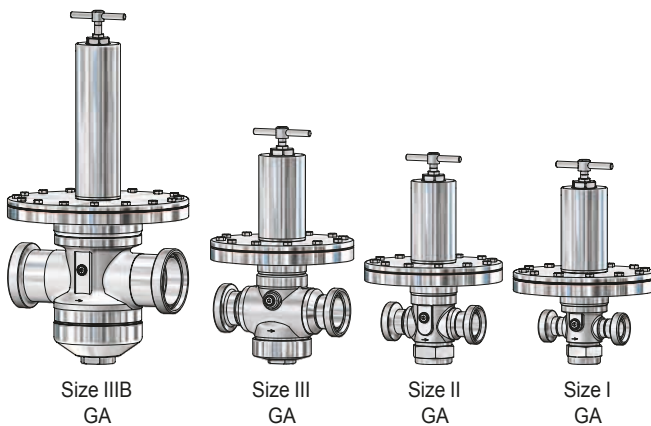
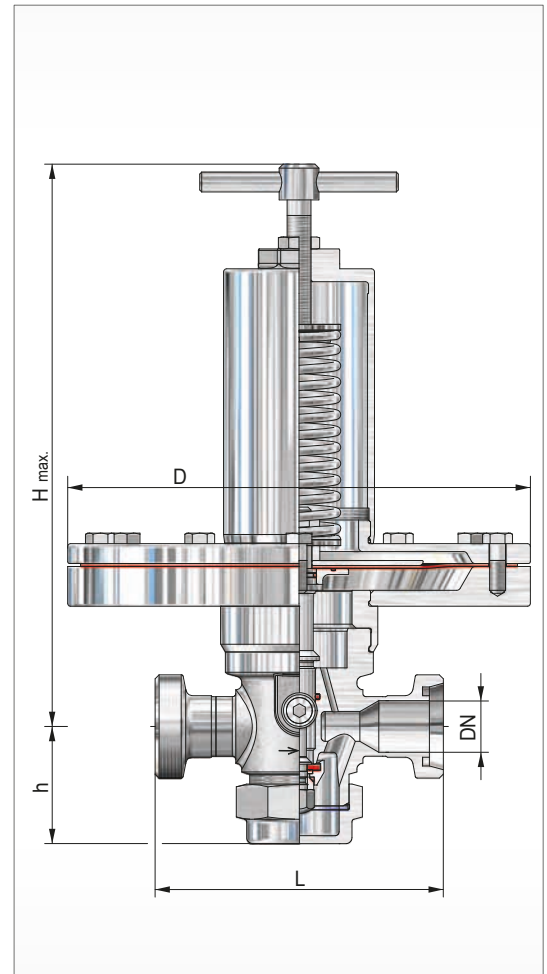
Sealings:
 AF100 (steam up to 200°C)
FDA-konforme sealings:
 EPDM (steam sterilisation up to 140°C)
 PTFE, EPDM (steam up to 150°C)
 PTFE, EPDM (steam up to 200°C)

Features:

- Forged valve body
- Relieved disc, independent of inlet pressure
- Medium-contacted inner parts Ra ≤ 2,6 µm
- Diaphragm control
- Tight with zero-consumption
- Steam sterilisation up to 140°C

Approvals:

Pressure Equipment Directive: 97/23/EG
 Declaration of Conformity



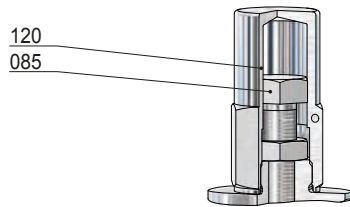
Size	Inlet			Outlet			Dimensions				Kvs value [m³/h]					
	DN	NPS	Inlet pressure range P1 [bar(g)] max.	DN	NPS	Reduced pressure range P2 min. [bar(g)] max.	Height H max.		Diaphragm Ø = D							
							Toggle spindle [mm]	Cap [mm]	Design							
							L	h								
I	15	1/2	25	15	1/2	0,005 / 0,40	see page (A 70 SMS)	405	310	235	190	3,0				
	20	3/4		20	3/4							3,2				
	25	1		25	1							3,5				
II	25	1	16	25	1	0,005 / 0,40						6,3	6,5	6,7	6,9	12,5
	32	1 1/4		32	1 1/4											
	40	1 1/2		40	1 1/2											
	50	2		50	2											
III	40	1 1/2	16	40	1 1/2	0,005 / 0,40						27,5	28,0	28,5	-	-
	50	2		50	2											
	65	2 1/2		65	2 1/2											
IIIB	50	2	16	50	2	0,005 / 0,30						-	-	-	-	-
	65	2 1/2		65	2 1/2											
	80	3		80	3											

other design on request

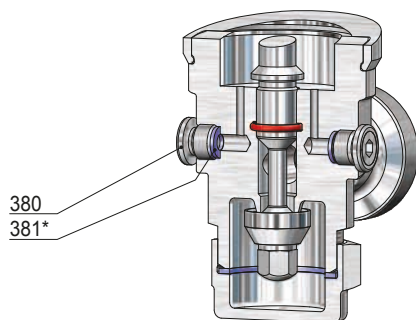
Pressure-Reducing-Valve, springloaded

for steam, gases and liquids

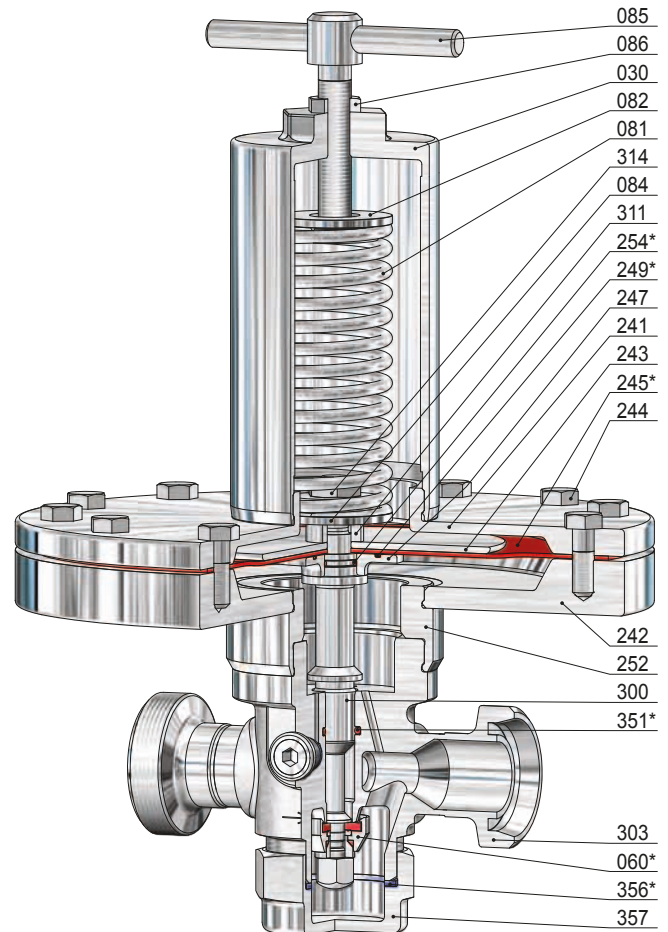
Typ 70 SMS



Cap
(Option: AC)



Manometer connection G 1/4



Size I

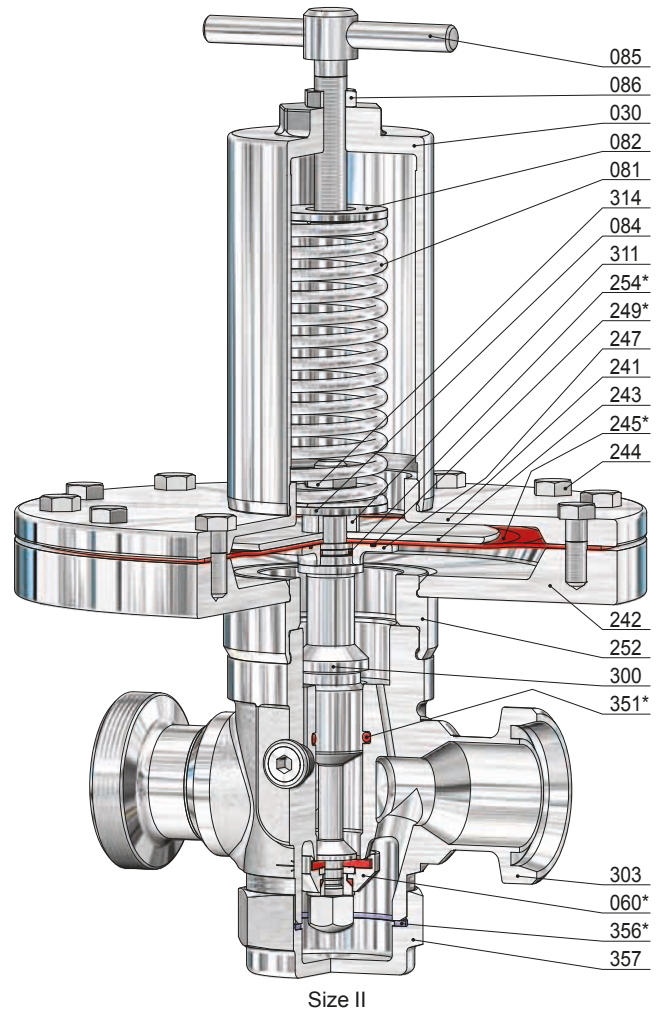
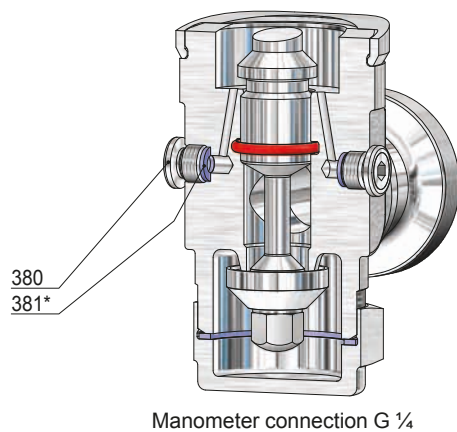
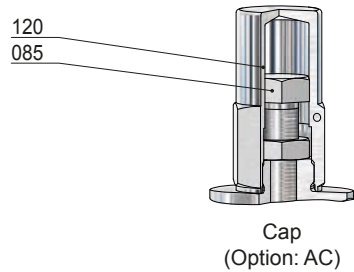
Item	Piece	Description	Item	Piece	Description
303	1	valve body	243	1	upper clamp plate
030	1	spring bonnet	244	12	screw (variable)
060 *	1	disc, complete	245 *	1	diaphragm
560	1	disc	247	1	lower clamp plate
061	1	pressure piece	249 *	1	o-ring
062	1	soft sealing	252	1	adapter
065	1	disc bolt	254 *	1	o-ring
071	1	o-ring	300	1	piston
072	1	locking ring	311	1	distance bush
073	1	o-ring (only for thermoplastics soft sealing)	314	1	lock nut
081	1	spring	351 *	1	o-ring
082	1	springplate, upper	356 *	1	sealing ring
084	1	springplate, lower	357	1	bottom plug
085	1	adjusting screw	380	2	screw plug
086	1	lock nut	381 *	2	sealing ring
120	1	cap			
241	1	upper housing			
242	1	lower housing			

* expendable parts

Pressure-Reducing-Valve, springloaded

for steam, gases and liquids

Typ 70 SMS



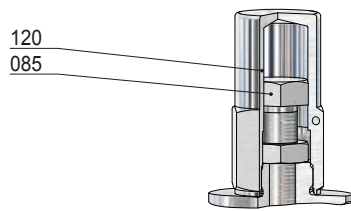
Item	Piece	Description	Item	Piece	Description
303	1	valve body	243	1	upper clamp plate
030	1	spring bonnet	244	12	screw (variable)
060 *	1	disc, complete	245 *	1	diaphragm
560	1	disc	247	1	lower clamp plate
061	1	pressure piece	249 *	1	o-ring
062	1	soft sealing	252	1	adapter
065	1	disc bolt	254 *	1	o-ring
071	1	o-ring	300	1	piston
072	1	locking ring	311	1	distance bush
073	1	o-ring (only for thermoplastics soft sealing)	314	1	lock nut
081	1	spring	351 *	1	o-ring
082	1	springplate, upper	356 *	1	sealing ring
084	1	springplate, lower	357	1	bottom plug
085	1	adjusting screw	380	2	screw plug
086	1	lock nut	381 *	2	sealing ring
120	1	cap			
241	1	upper housing			
242	1	lower housing			

* expendable parts

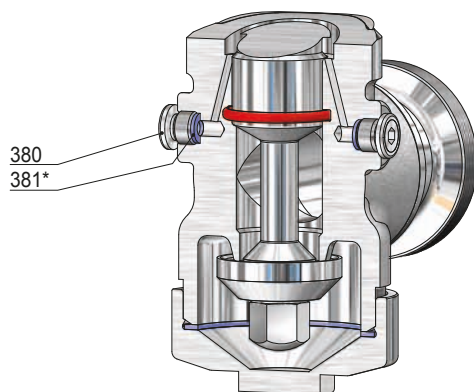
Pressure-Reducing-Valve, springloaded

for steam, gases and liquids

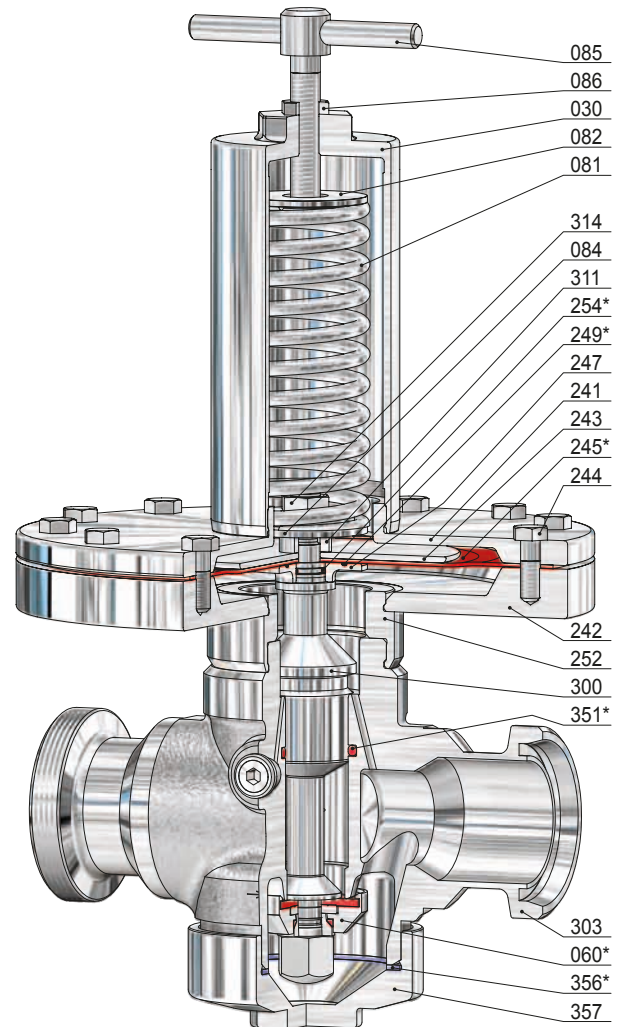
Typ 70 SMS



Cap
(Option: AC)



Manometer connection G 1/4



Size III

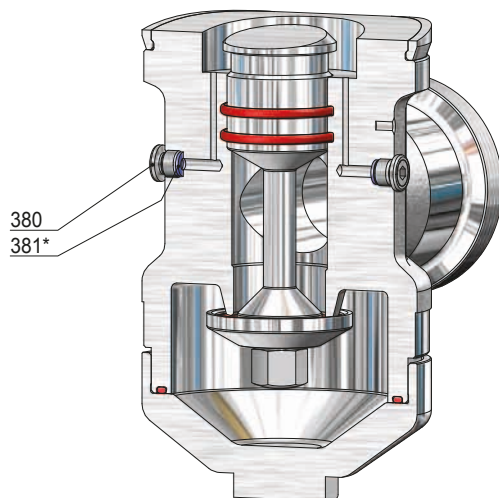
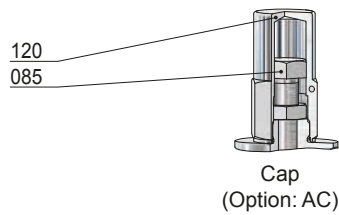
Item	Piece	Description	Item	Piece	Description
303	1	valve body	243	1	upper clamp plate
030	1	spring bonnet	244	12	screw (variable)
060 *	1	disc, complete	245 *	1	diaphragm
560	1	disc	247	1	lower clamp plate
061	1	pressure piece	249 *	1	o-ring
062	1	soft sealing	252	1	adapter
065	1	disc bolt	254 *	1	o-ring
071	1	o-ring	300	1	piston
072	1	locking ring	311	1	distance bush
073	1	o-ring (only for thermoplastics soft sealing)	314	1	lock nut
081	1	spring	351 *	1	o-ring
082	1	springplate, upper	356 *	1	sealing ring
084	1	springplate, lower	357	1	bottom plug
085	1	adjusting screw	380	2	screw plug
086	1	lock nut	381 *	2	sealing ring
120	1	cap			
241	1	upper housing			
242	1	lower housing			

* expendable parts

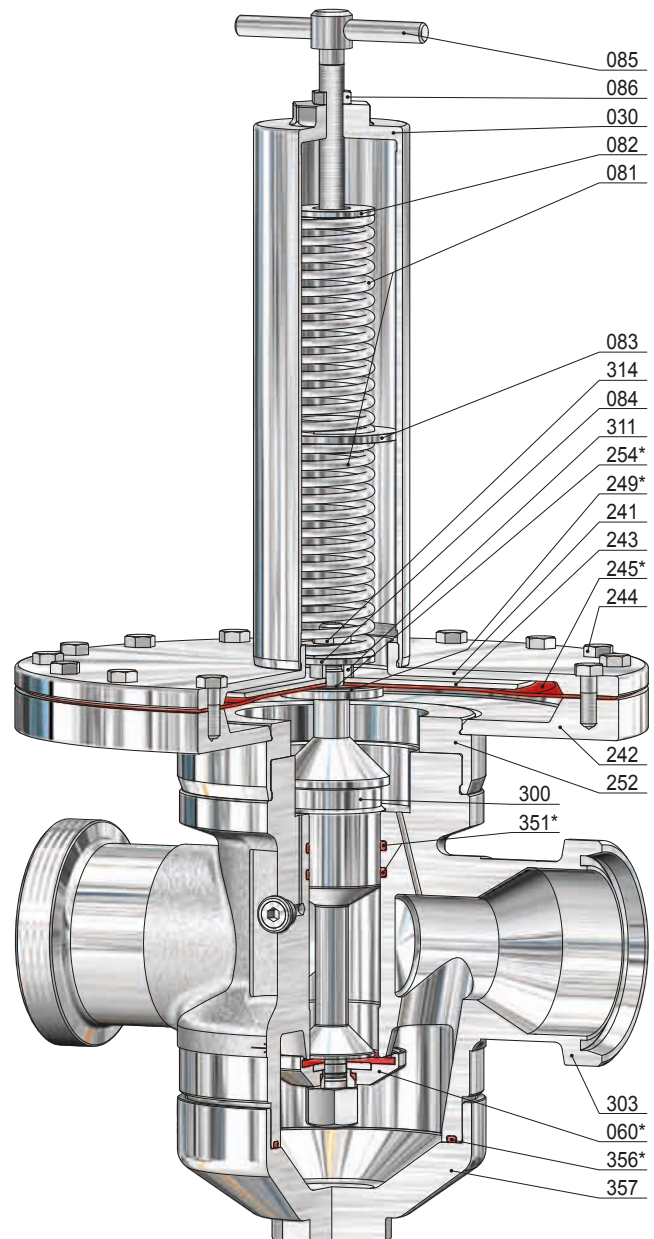
Pressure-Reducing-Valve, springloaded

for steam, gases and liquids

Typ 70 SMS



Manometer connection G ¼



Size III B

Item	Piece	Description	Item	Piece	Description	Item	Piece	Description
303	1	valve body	081	2	spring	252	1	adapter
030	1	spring bonnet	082	1	springplate, upper	254 *	1	o-ring
060 *	1	disc, complete	083	1	springplate, middle	300	1	piston
560	1	disc	084	1	springplate, lower	311	1	distance bush
061	1	pressure piece	085	1	adjusting screw	314	1	lock nut
062	1	soft sealing	086	1	lock nut	351 *	2	o-ring
065	1	disc bolt	120	1	cap	356 *	1	sealing ring
071	1	o-ring	241	1	upper housing	357	1	bottom plug
072	1	locking ring	242	1	lower housing	380	2	screw plug
073	1	o-ring (only for thermoplastics soft sealing)	243	1	upper clamp plate	381 *	2	sealing ring
			244	16	screw (variable)			
			245 *	1	diaphragm			
			249 *	1	o-ring			

* expendable parts