

Pressure-Reducing-Valve, springloaded

for steam, gases and liquids

Typ 70 SMK

Standard version:

Material: Valve-body / media contact surfaces
Typ 70 SMK: BG 0 1.4301 / 1.4571
 1.4435 / 1.4404

Connections:
 Aseptic flange e.g. DIN 11864-2 **F (...)**
 Flange e.g. DIN 2633 (PN16) **F**
 Screwed connection e.g. DIN ISO 228 **IG**
 Male union e.g. DIN 11851 **GA, GA (...)**
 Clamp liner e.g. DIN 32676 **CL, CL (...)**

Options:
 CIP able design
 Air loaded
 Surface quality inside and outside
 Seals with USP-, ADI-Certificate

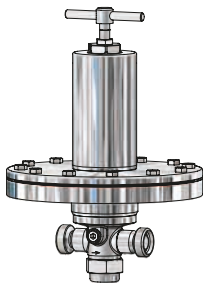
Sealings:
 AF100 (steam up to 200°C)
FDA-konforme sealings:
 EPDM (steam sterilisation up to 140°C)
 PTFE, EPDM (steam up to 150°C)
 PTFE, EPDM (steam up to 200°C)

Features:

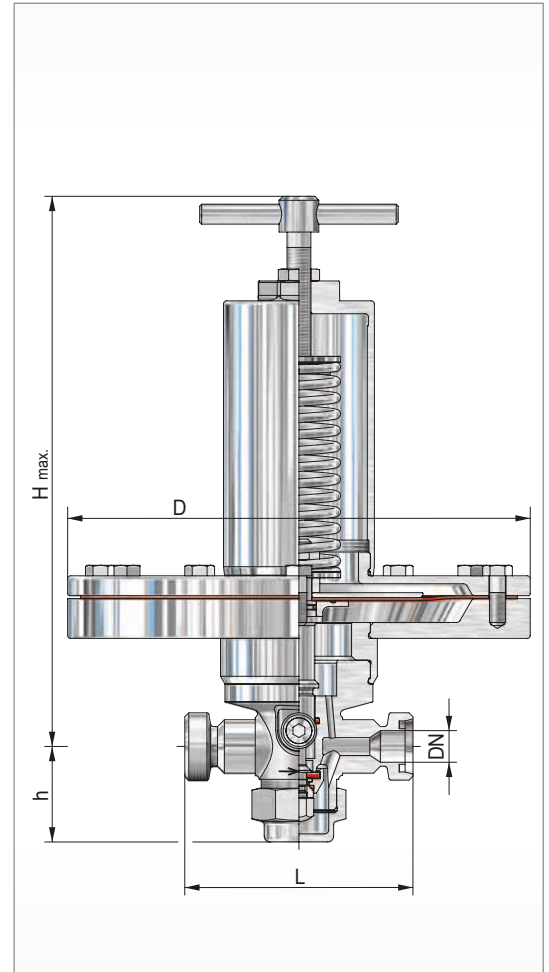
- Forged valve body
- Relieved disc, independent of inlet pressure
- Medium-contacted inner parts Ra ≤ 2,6 µm
- Diaphragm control
- Tight with zero-consumption
- Steam sterilisation up to 140°C

Approvals:

Pressure Equipment Directive: 97/23/EG
 Declaration of Conformity



Size 0
GA



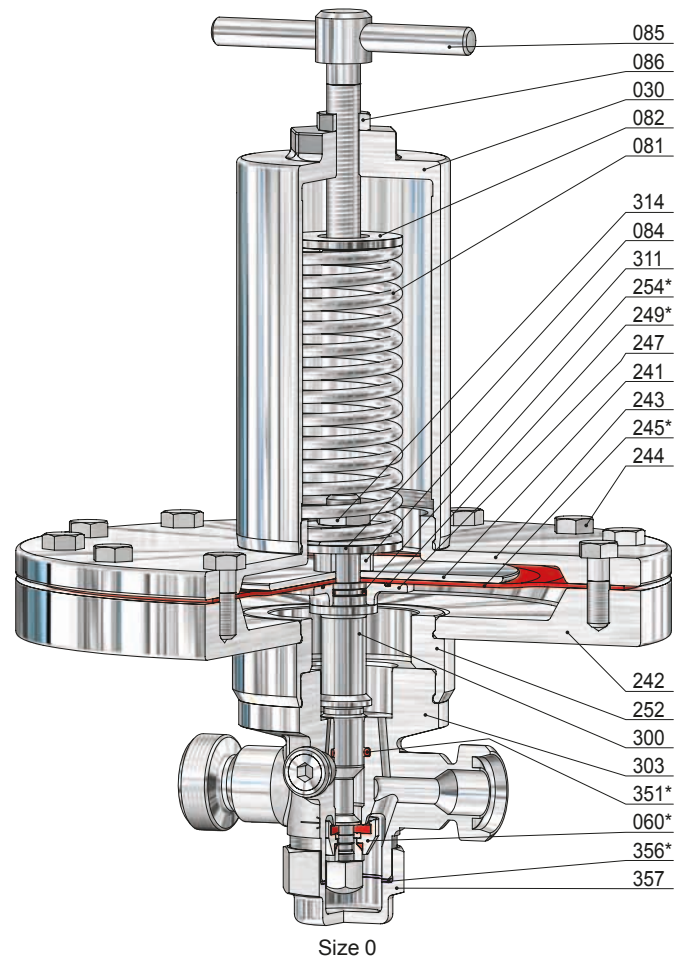
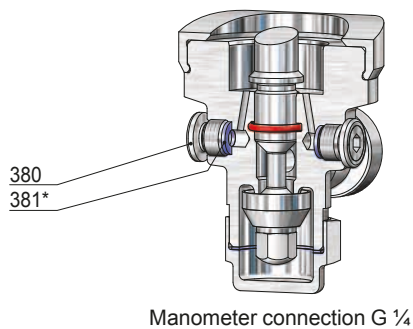
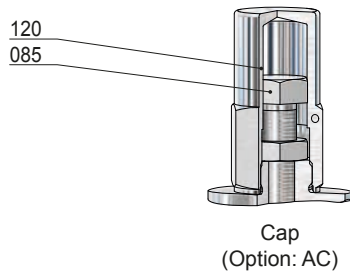
Size	Inlet			Outlet			Dimensions							Kvs value [m³/h]
	DN	NPS	Inlet pressure range P1 [bar(g)] max.	DN	NPS	Reduced pressure range P2 min. [bar(g)] max.	Height H max.		Diaphragm Ø = D					
							Toggle spindle [mm]	Cap [mm]	L [mm]	h [mm]	Design			
0	8	1/4	25	8	1/4	0,005 / 0,45	see page (A 70 SMK)		405	310	235	190	1,2	
	10	3/8		2,0										
	15	1/2		2,2										

other design on request

Pressure-Reducing-Valve, springloaded

for steam, gases and liquids

Typ 70 SMK



Item	Piece	Description	Item	Piece	Description
303	1	valve body	243	1	upper clamp plate
030	1	spring bonnet	244	12	screw (variable)
060 *	1	disc, complete	245 *	1	diaphragm
560	1	disc	247	1	lower clamp plate
061	1	pressure piece	249 *	1	o-ring
062	1	soft sealing	252	1	adapter
065	1	disc bolt	254 *	1	o-ring
071	1	o-ring	300	1	piston
072	1	locking ring	311	1	distance bush
073	1	o-ring (only for thermoplastics soft sealing)	314	1	lock nut
081	1	spring	351 *	1	o-ring
082	1	springplate, upper	356 *	1	sealing ring
084	1	springplate, lower	357	1	bottom plug
085	1	adjusting screw	380	2	screw plug
086	1	lock nut	381 *	2	sealing ring
120	1	cap			
241	1	upper housing			
242	1	lower housing			

* expendable parts