

Pressure-Reducing-Valve, springloaded

for gases and liquids

Typ 70 SKM

Standard version:

Material: Valve-body / media contact surfaces
Typ 70 SKM: BG 00 1.4571 / 1.4571

Connections:
 Screwed connection e.g. DIN ISO 228 IG

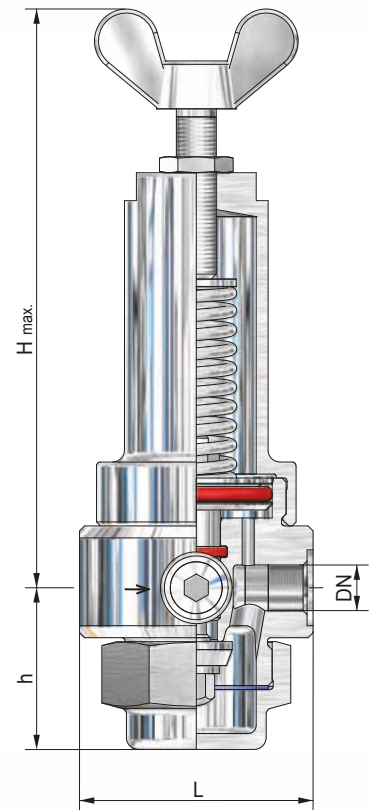
Options: Surface quality inside and outside
Disc seals: PTFE

Features:

- Relieved disc, independent of inlet pressure
- Medium-contacted inner parts $Ra \leq 2,6 \mu m$
- Piston controled
- Steam sterilisation up to 130°C
- Tight with zero-consumption

Approvals:

Pressure Equipment Directive: 97/23/EG
 Declaration of Conformity



Size 00

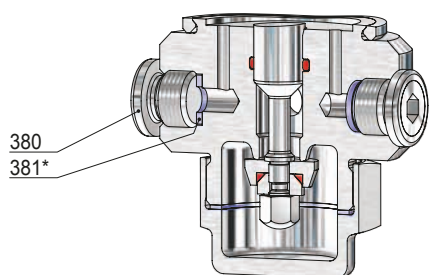
Size	Inlet			Outlet			Dimensions			Kvs value [m³/h]
	PN			PN			Height H max. Thumbscrew [mm]	L [mm]	h [mm]	
	DN	G, NPT	Inlet pressure range P1 [bar(g)]	DN	G, NPT	Reduced pressure range P2 min. [bar(g)] max.				
00	6 8	1/8 1/4	16	6 8	1/8 1/4	1,00 / 7,00	160	58	36	0,63

other design on request

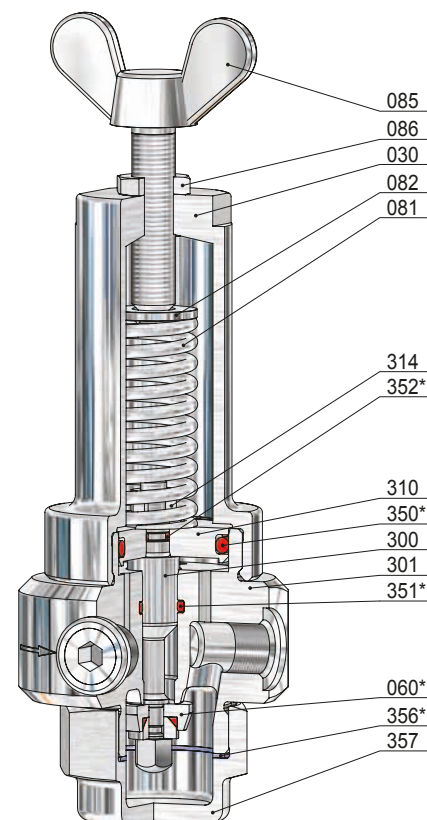
Pressure-Reducing-Valve, springloaded

for gases and liquids

Typ 70 SKM



Manometer connection G $\frac{1}{4}$



Size 00

Item	Piece	Description	Item	Piece	Description
301	1	valve body	350 *	1	o-ring
030	1	spring bonnet	351 *	1	o-ring
060 *	1	disc, complete	352 *	1	o-ring
560	1	disc	356 *	1	sealing ring
061	1	pressure piece	357	1	bottom plug
065	1	disc bolt	380	2	screw plug
071	1	o-ring	381 *	2	sealing ring
081	1	spring			
082	1	springplate, upper			
085	1	adjusting screw			
086	1	lock nut			
300	1	piston			
310	1	piston plate			
314	1	lock nut			

* expendable parts