

Pressure-Reducing-Valve, springloaded

for steam, gases and liquids

Typ 70 SKG

Standard version:

Material: Valve-body / media contact surfaces
Typ 70 SKG: BG IV 1.4435 / 1.4404
 1.4571 / 1.4571

Connections:
 Aseptic flange e.g. DIN 11864-2 **F (...)**
 Flange e.g. DIN 2633 (PN16) **F**
 Screwed connection e.g. DIN ISO 228 **IG**
 Male union e.g. DIN 11851 **GA, GA (...)**

Options:
 CIP able design
 Air loaded
 Surface quality inside and outside
 Seals with USP-, ADI-Certificate

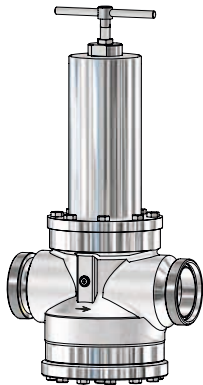
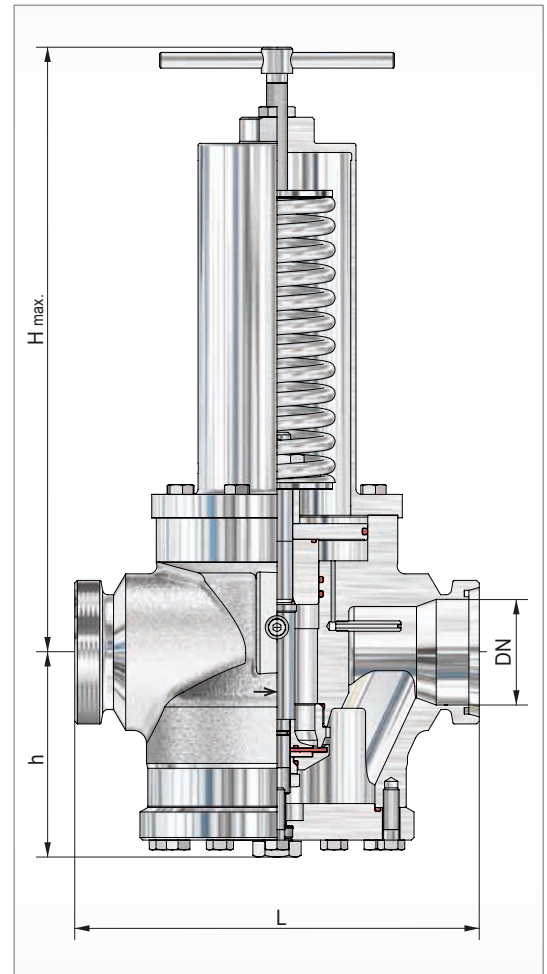
Sealings:
 AF100 (steam up to 200°C)
FDA-konforme sealings:
 EPDM (steam sterilisation up to 140°C)
 PTFE, EPDM (steam up to 150°C)
 PTFE, EPDM (steam up to 200°C)

Features:

- Forged valve body
- Relieved disc, independent of inlet pressure
- Medium-contacted inner parts Ra ≤ 2,6 µm
- Piston controlled
- Tight with zero-consumption
- Steam sterilisation up to 140°C

Approvals:

Pressure Equipment Directive: 97/23/EG
 Declaration of Conformity



Size IV
GA

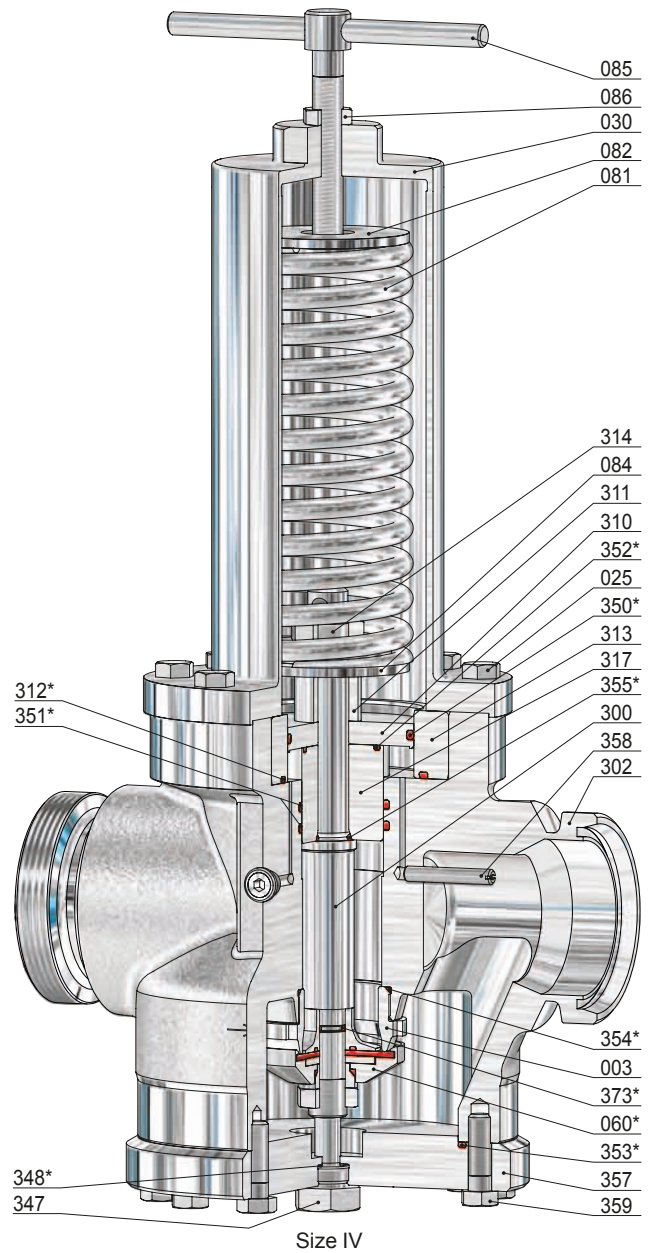
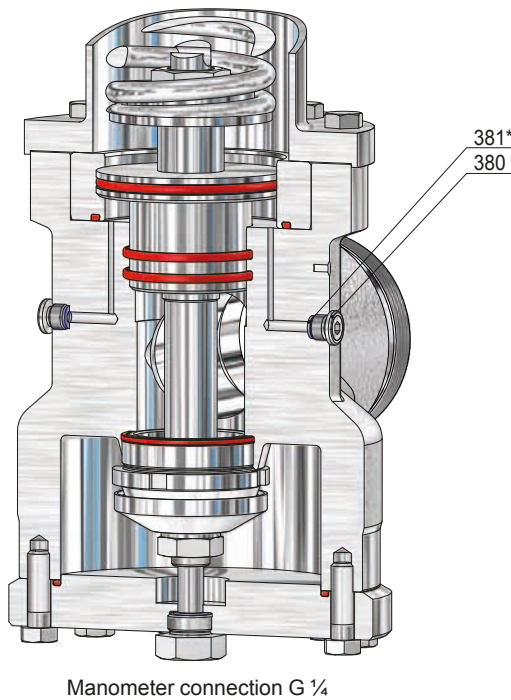
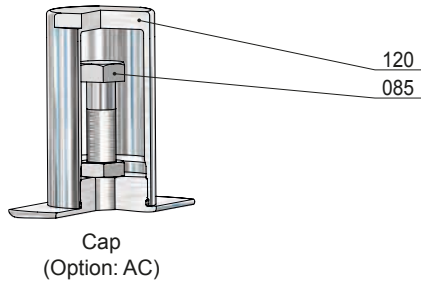
BG	Inlet		Outlet				Dimensions				Kvs value		
	PN		PN				Height H max.						
	DN	NPS	Inlet pressure range P1		DN	NPS	Reduced pressure range P2		Toggle spindle	Cap		L	h
							min.	max.	[mm]	[mm]	[mm]	[mm]	[m³/h]
IV	65	2 1/2	40		65	2 1/2	0,20 / 12,00		see page (A 70 SKG)				48,0
	80	3			80	3							50,0
	100	4			100	4							53,0

other design on request

Pressure-Reducing-Valve, springloaded

for steam, gases and liquids

Typ 70 SKG



Item	Piece	Description	Item	Piece	Description	Item	Piece	Description
302	1	valve body	082	1	springplate, upper	350 *	1	o-ring
003	1	seat	084	1	springplate, lower	351 *	2	o-ring
025	8	screw	085	1	adjusting screw	352 *	1	o-ring
030	1	spring bonnet	086	1	lock nut	353 *	1	o-ring
060 *	1	disc, complete	120	1	cap	354 *	1	o-ring
560	1	disc	300	1	piston	355 *	1	o-ring
061	1	pressure piece	310	1	piston plate	357	1	bottom plug
062	1	soft sealing	311	1	distance bush	358	1	suction tube
065	1	disc bolt	312 *	1	o-ring	359	12	screw
071	1	o-ring	313	1	piston plate ring	373 *	1	o-ring
072	1	locking ring	314	2	lock nut	380	2	screw plug
073	1	o-ring	317	1	piston guide	381 *	2	sealing ring
074	1	disc plate	347	1	screw			
081	1	spring	348 *	1	o-ring			

* expendable parts