

Safety-Valve, springloaded

for non-toxic steam, gases and liquids, high capacity

Typ 66

Standard version:

Operating temperature

Material:	Inlet body	/ Bonnet pipe	
Typ 66.2:	1.4571	/ 1.4301	-60°C to 130°C
Typ 66.3:	2.0401	/ 2.0401	-10°C to 130°C

Connections: soft seated
Screwed connection: DIN ISO 228 see techn. appendix: KWD-1

Approvals:

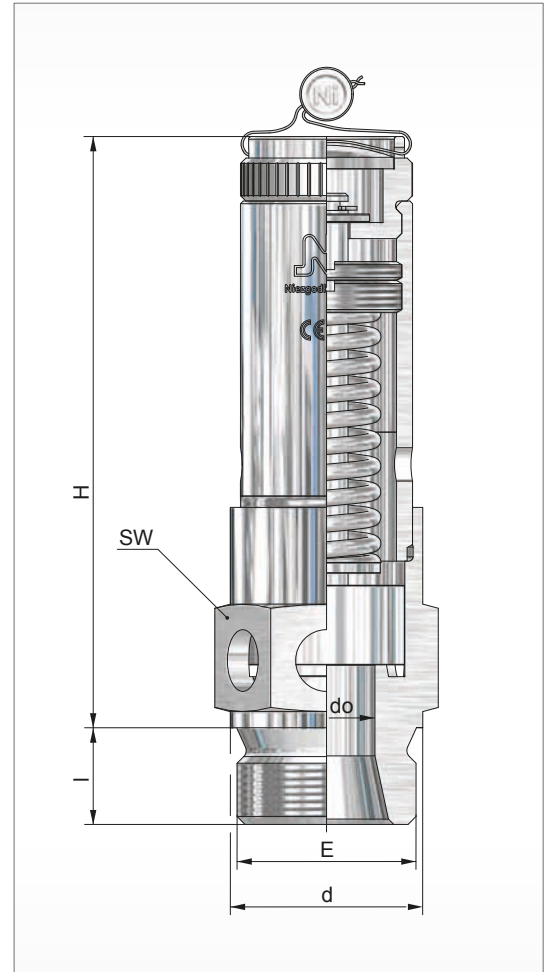
Pressure Equipment Directive: 97/23/EG
Declaration of Conformity



TÜV - Approval:

VdTÜV-leaflet AD 2000-leaflet A 2

TÜV • SV • XX-809 • do • D/G/F • α_w • p



G 2
head M



G 1
head M



G 1/2
head M

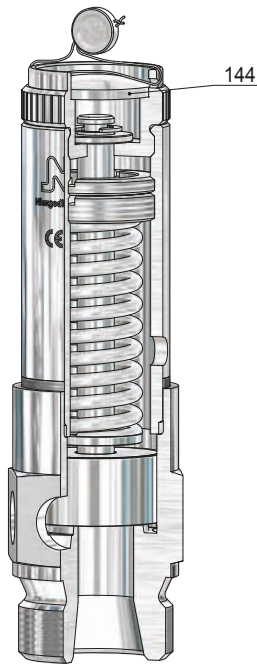
Size	Inlet			Outlet A	Dimensions			Height 'H' for head			Set pressure				Weight ~ [kg]
	E	d	l (G)		SW	do	Seat Ø	M			D/G p min.	p max.	p min.	F p max.	
		[mm]	[mm]		[mm]	[mm]	[mm]	[mm]				[bar(g)]	[bar(g)]	[bar(g)]	[bar(g)]
	1/4	18	12	free	22	7	10	75			0,10	35			0,12
	3/8	22	12		22	10		75			0,20	35	0,45	15	0,12
	1/2	26	14		27	12,5		90			0,10	35	0,10	25	0,21
	3/4	32	16		32	15		105			0,15	20	0,15	20	0,38
	1	36	18		36	18		115			0,10	15	0,10	25	0,50
	1 1/4	49	20		50	23		170			0,08	10			1,80
	1 1/2	55	22		60	30		180			0,08	10			2,30
	2	68	24		70	35		195			0,05	0,30			2,60
	2	68	24		70	35		230			0,31	10			2,90

other design on request

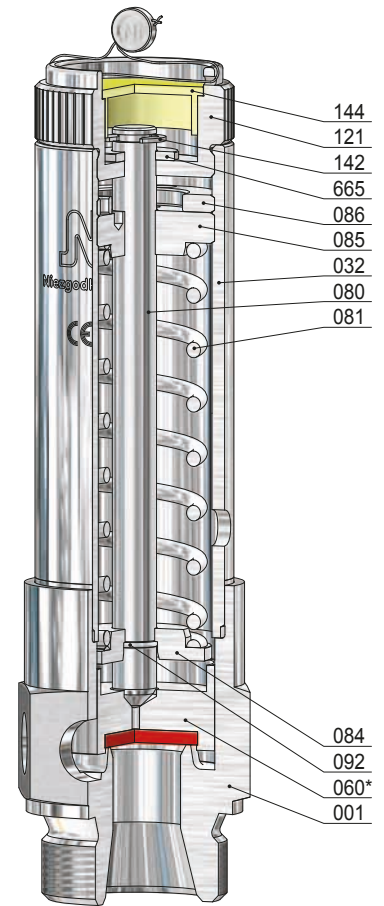
Safety-Valve, springloaded

for non-toxic steam, gases and liquids, high capacity

Typ 66



G 1
head M, liftable



G 2
head M, liftable

Item	Piece	Description	Item	Piece	Description
001	1	inlet body	142	1	stop washer
032	1	bonnet pipe	144	1	lock washer
060 *	1	disc, complete	665	1	washer
560	1	disc			
062	1	soft sealing			
080	1	spindle			
081	1	spring			
084	1	springplate, lower			
085	1	adjusting screw			
086	1	lock nut			
092	1	lock ring			
121	1	lifting cap			

* expendable parts