

Safety-Valve, springloaded

for non-toxic liquids, high capacity

Typ 62

Standard version:

	Material:		Temperature ranges
	Inlet body	/ Spring bonnet	metal seated
Typ 62.1:	1.4104	/ 0.7043 <i>nickel-plated</i>	-10°C to 280°C
Typ 62.2:	1.4571	/ 1.4581	-60°C to 280°C
Connections:			soft seated
Screwed connection: DIN ISO 228 / ASME B1.20.1			see techn. appendix: KWD-1

Approvals:

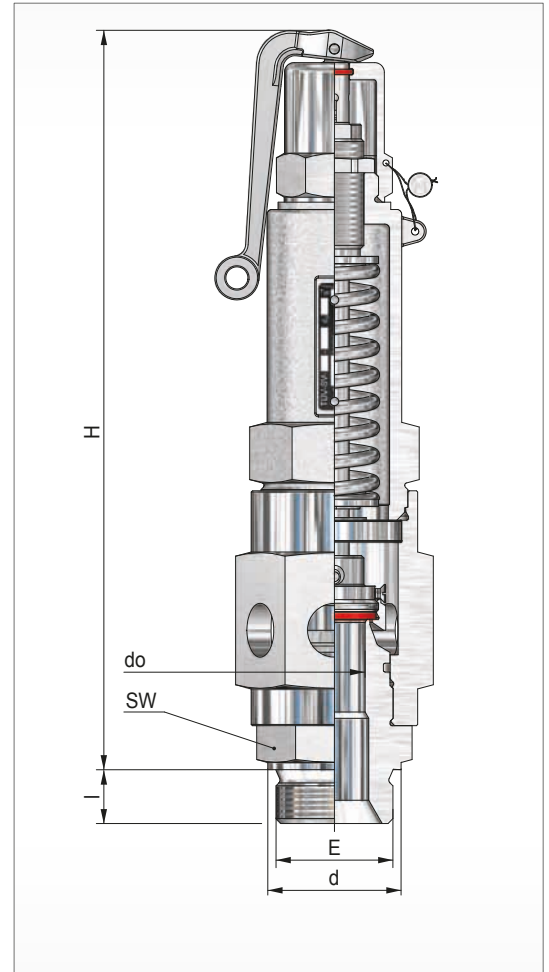
Pressure Equipment Directive: 97/23/EG
Declaration of Conformity



TÜV - Approval:

VdTÜV-leaflet AD 2000-leaflet A 2

TÜV • SV • XX-984 • do • F • α_w • p



head A



head C

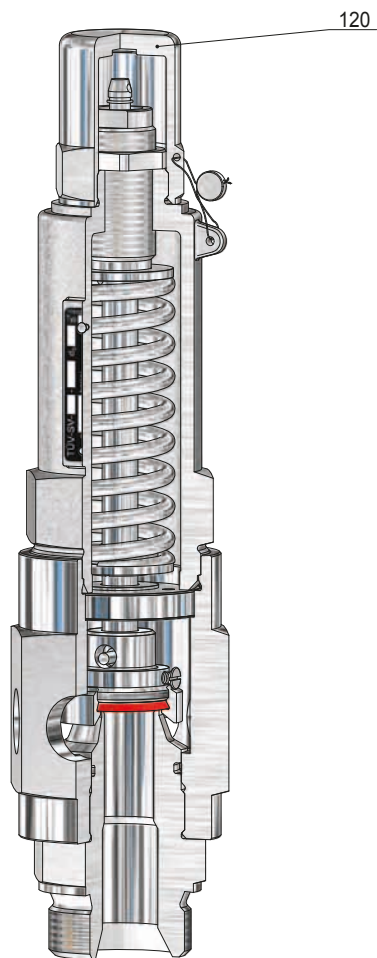
Size	Inlet				Outlet A	Dimensions		Height 'H' for head		Coefficient F α _w	Set pressure		Weight ~ [kg]
	E	d	I (G)	I (NPT)		SW	do	A	C		p min.	p max.	
	[mm]	[mm]	[mm]	[mm]	[mm]	[mm]	[mm]	[mm]	[mm]		[bar(g)]	[bar(g)]	
1	39	18	18	18	free	70	22 / 25	305	290	0,57	0,1	55	4,0

other design on request

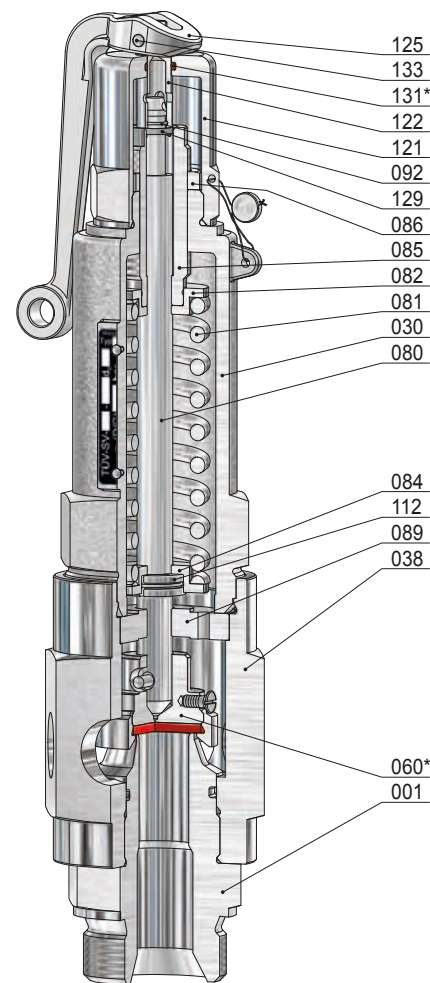
Safety-Valve, springloaded

for non-toxic liquids, high capacity

Typ 62



head C



head A

Item	Piece	Description	Item	Piece	Description
001	1	inlet body	085	1	adjusting screw
030	1	spring bonnet (nickel)	086	1	lock nut
038	1	outlet body (nickel)	089	1	guide plate
060 *	1	disc, complete	092	1	lock ring
560	1	disc	112	1	splitted ring
062	1	soft sealing	120	1	cap (nickel)
063	1	disc ring	121	1	lifting cap (nickel)
067	1	security screw	122	1	coupling
107	1	spring pin	125	1	lifting button
080	1	spindle	129	1	pressure plate
081	1	spring	131 *	1	o-ring
082	1	springplate, upper	133	1	groove pin
084	1	springplate, lower			

* expendable parts