

Safety-Valve, springloaded

for steam, gases and liquids in closed completion

Typ 35

Standard version:

		Temperature ranges	
Material:	Inlet body / Outlet body	metal seated	
Typ 35.2:	1.4571 / 1.4571	-50°C to 200°C	
Connections:		soft seated	
Aseptic flange e.g. DIN 11864-2	F (...)	see techn. appendix: KWD-1	
Flange e.g. DIN 2633 (PN16)	F		
Male union e.g. DIN 11851	GA, GA (...)		
Clamp liner e.g. DIN 32676	CL, CL (...)		

Approvals:

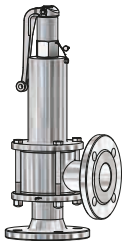
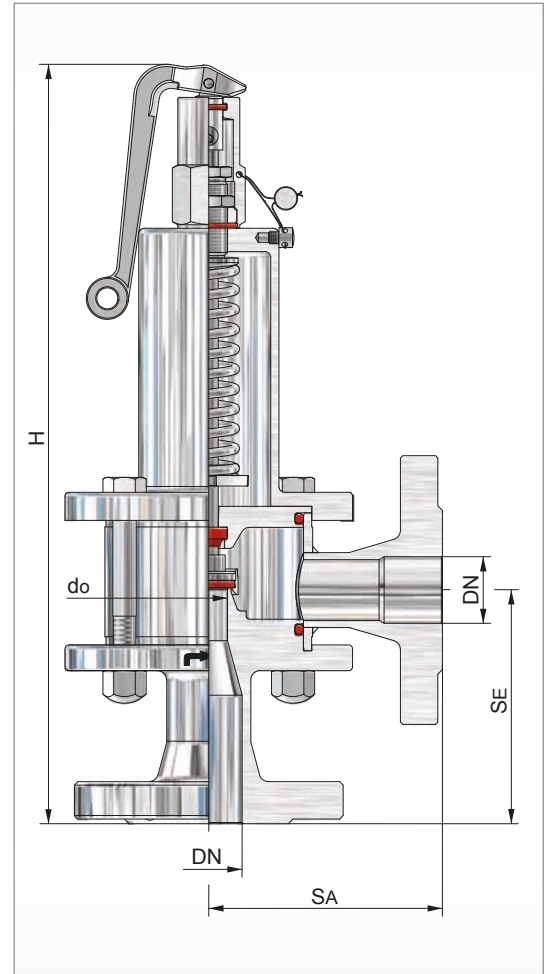
Pressure Equipment Directive: 97/23/EG
Declaration of Conformity



TÜV - Approval:

VdTÜV-leaflet AD 2000-leaflet A 2

TÜV • SV • XX-1045 • do • D/G/F • a_w • p



Size III



Size I

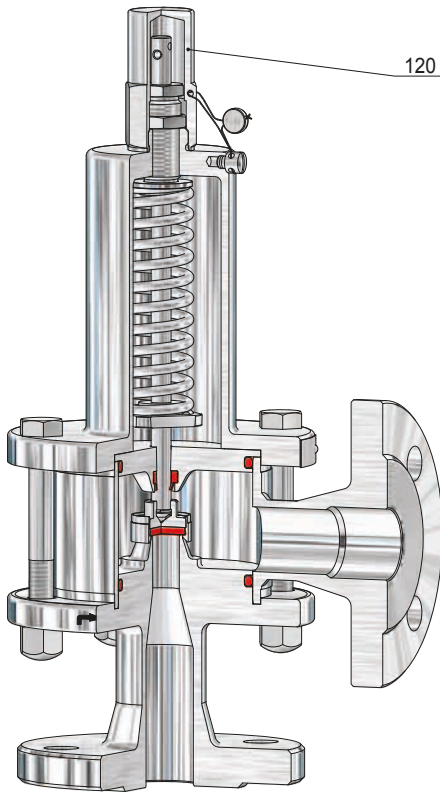
Size	Inlet					Outlet				Height 'H' for head		Set pressure		Weight ~ [kg]
	DN	NPS	PN / Class	do [mm]	SE [mm]	DN	NPS	PN / Class	SA [mm]	A [mm]	C [mm]	p min. [bar(g)]	p max. [bar(g)]	
I	25	1	16-40 150-300	16	100	25	1	16-40 150-300	100	see page (A 35-S)		0,10	16	7,1
III	50	2	16-40 150-300	32	125	50	2	16-40 150-300	125	A	C	0,12	16	13,5
				40								0,15	15	

other design on request

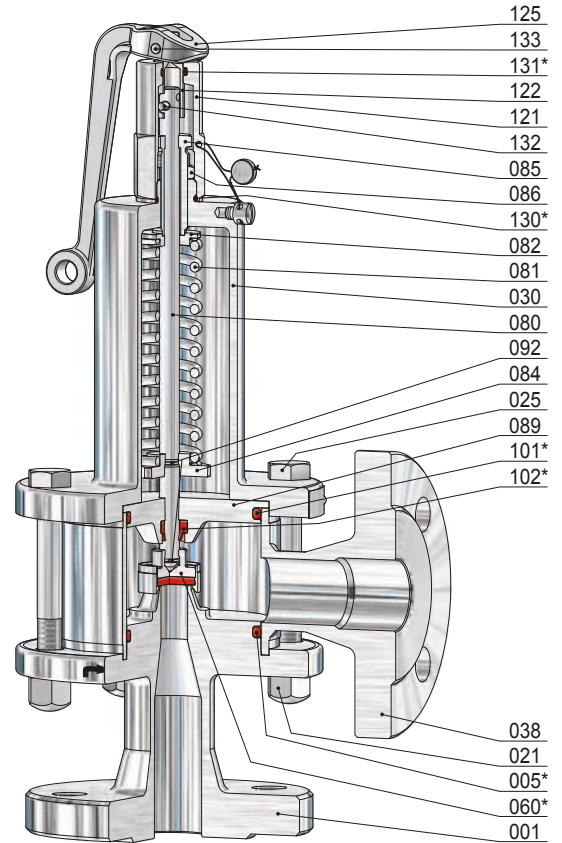
Safety-Valve, springloaded

for steam, gases and liquids in closed completion

Typ 35



Size I
head C



Size I
head A

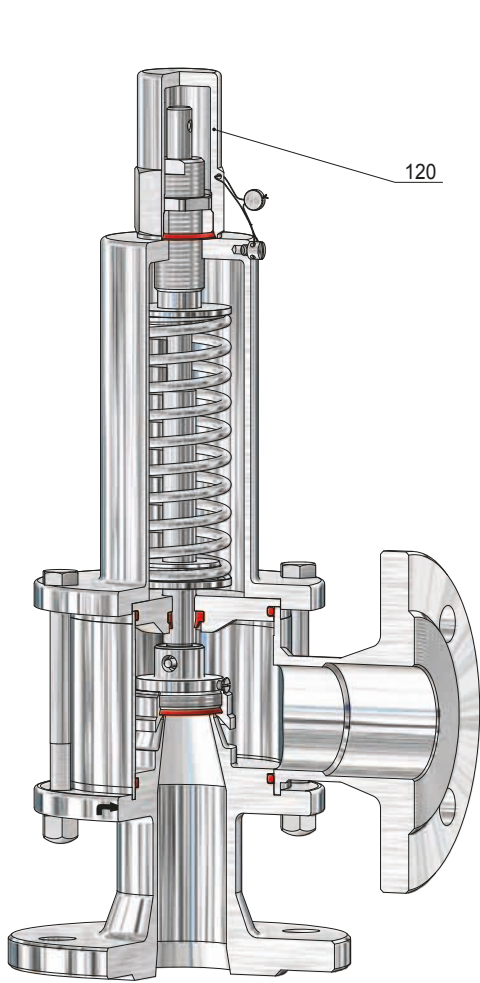
Item	Piece	Description	Item	Piece	Description
001	1	inlet body	086	1	lock nut
005 *	1	o-ring	089	1	guide plate
021	4	cap nut	092	2	lock ring
025	4	screw	101 *	1	o-ring
030	1	spring bonnet	102 *	1	wiper
038	1	outlet body	120	1	cap
060 *	1	disc, complete	121	1	lifting cap
560	1	disc	122	1	coupling
062	1	soft sealing	125	1	lifting button
063	1	disc ring	130 *	1	o-ring
080	1	spindle	131 *	1	o-ring
081	1	spring	132	1	groove pin
082	1	springplate, upper	133	1	groove pin
084	1	springplate, lower			
085	1	adjusting screw			

* expendable parts

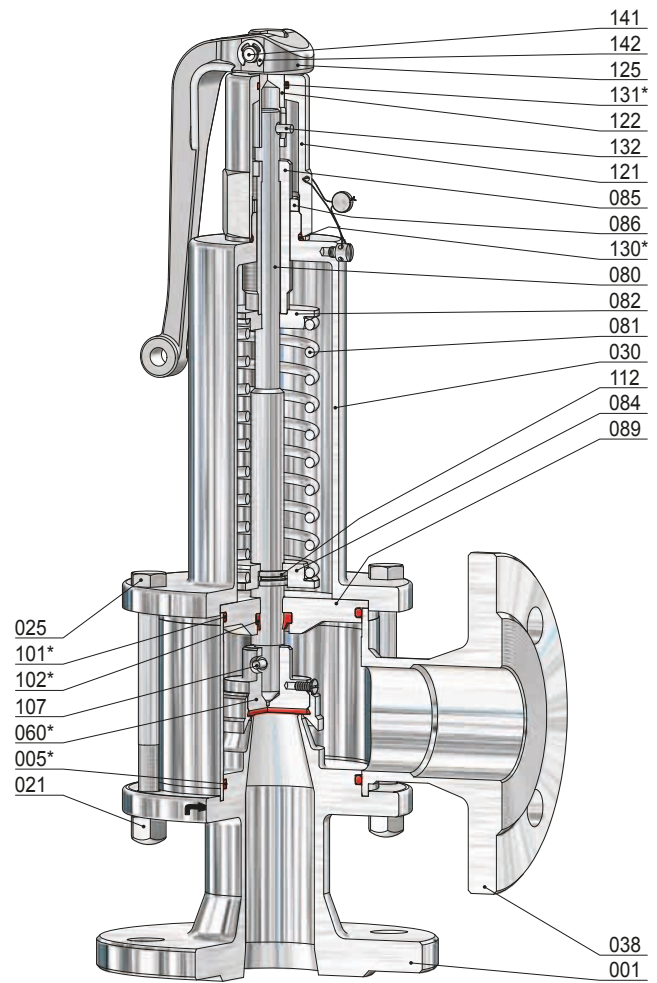
Safety-Valve, springloaded

for steam, gases and liquids in closed completion

Typ 35



Size III
head C



Size III
head A

Item	Piece	Description	Item	Piece	Description
001	1	inlet body	086	1	lock nut
005 *	1	o-ring	089	1	guide plate
021	4	cap nut	101 *	1	o-ring
025	4	screw	102 *	1	wiper
030	1	spring bonnet	107	1	spring pin
038	1	outlet body	112	1	split ring
060 *	1	disc, complete	120	1	cap
560	1	disc	121	1	lifting cap
062	1	soft sealing	122	1	coupling
063	1	disc ring	125	1	lifting button
067	1	security screw	130 *	1	o-ring
080	1	spindle	131 *	1	o-ring
081	1	spring	132	1	groove pin
082	1	springplate, upper	141	1	bolt
084	1	springplate, lower	142	2	stop washer
085	1	adjusting screw			

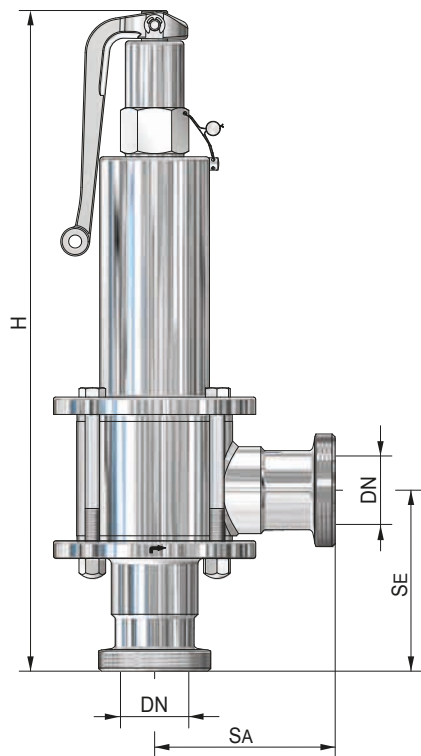
* expendable parts

Safety-Valve, springloaded

for steam, gases and liquids in closed completion

Typ 35

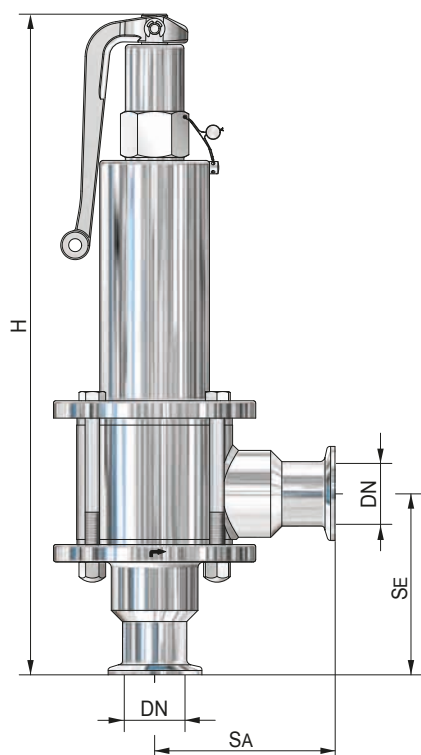
Connections



GA / GA (AS)

Male union
e.g. DIN 11851 / 11864-1

Size	Inlet / Outlet		Dimensions				Weight
	DN	Screwed DIN 405	Height 'H'				
			Lifting lever [mm]	Cap [mm]	SE [mm]	SA [mm]	~ [kg]
I	25	Rd 52x1/6"	330	315	100	100	5,1
III	50	Rd 78x1/6"	465	445	125	125	9,6



CL / CL (AS)

Clamp liner
e.g. DIN 32676 / 11864-3

Size	Inlet / Outlet		Dimensions				Weight
	DN	NPS	Height 'H'				
			Lifting lever [mm]	Cap [mm]	SE [mm]	SA [mm]	~ [kg]
I	25	1	330	315	100	100	4,9
III	50	2	465	445	125	125	8,7

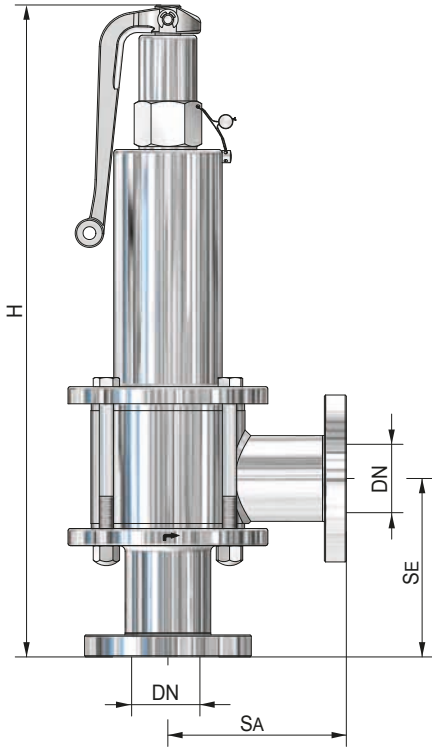
other connections on request

Safety-Valve, springloaded

for steam, gases and liquids in closed completion

Typ 35

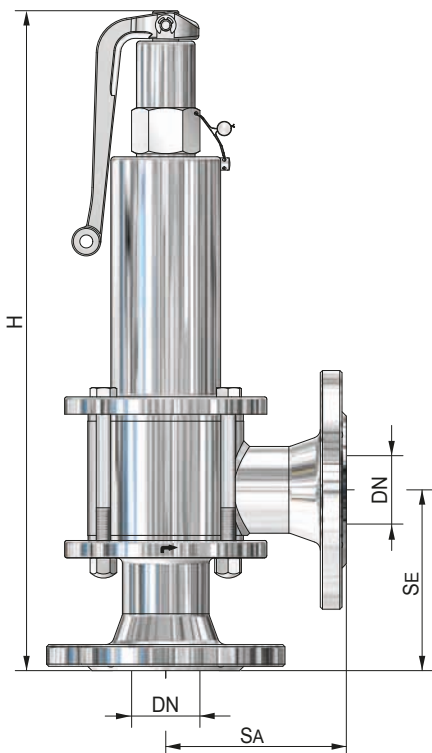
Connections



F (...)

Flange (preferably flat and collar flanges collar flange)
e.g. DIN 11864-2 (AS), APV (APV), Varivent (VV)

Size	Inlet / Outlet		Dimensions				Weight
	DN	NPS	Height 'H'				
			Lifting lever [mm]	Cap [mm]	SE [mm]	SA [mm]	~ [kg]
I	25	1	330	315	100	100	6,7
III	50	2	465	445	125	125	11,5



F

Flange
e.g. DIN 2633 (PN 16) / ASME B 16.5 Class 150

Size	Inlet / Outlet		Dimensions				Weight
	DN	NPS	Height 'H'				
			Lifting lever [mm]	Cap [mm]	SE [mm]	SA [mm]	~ [kg]
I	25	1	330	315	100	100	7,1
III	50	2	465	445	125	125	13,5

other connections on request