

Relief-Valve, springloaded

for steam, gases and liquids in closed completion

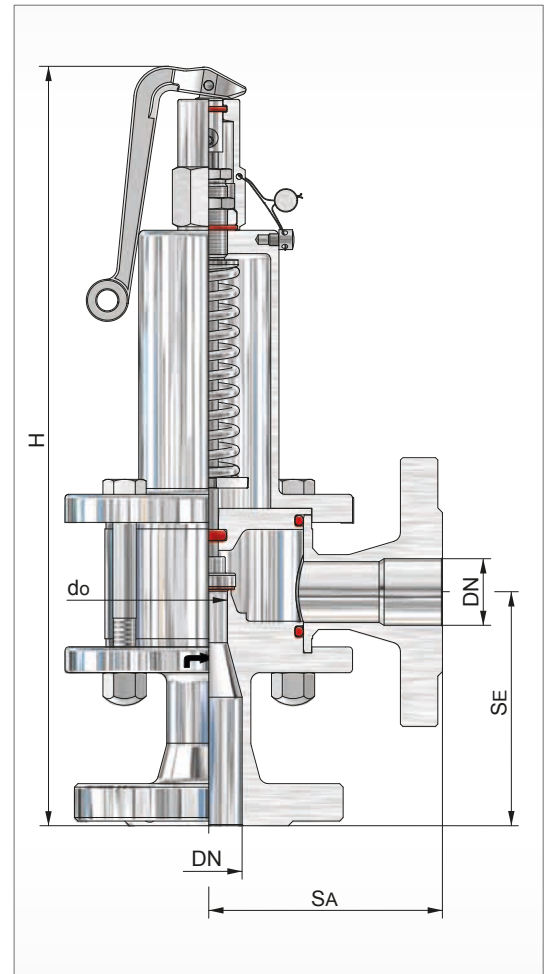
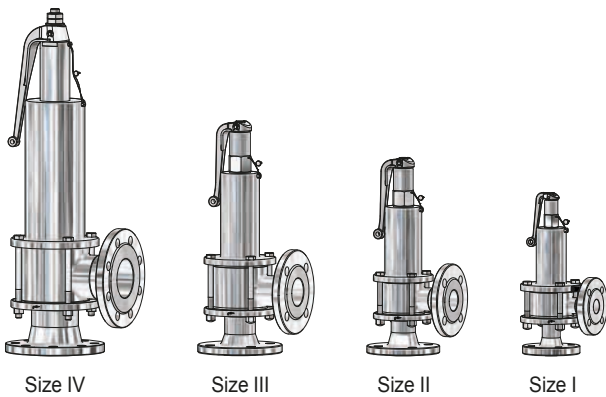
Typ 35

Standard version:

			Temperature ranges
Material:	Inlet body	/ Outlet body	metal seated
Typ 35.2:	1.4571	/ 1.4571	-50°C to 200°C
Connections:			soft seated
Flange connections: DIN EN / ASME B16.5			see techn. appendix: KWD-1

Approvals:

Pressure Equipment Directive: 97/23/EG
Declaration of Conformity



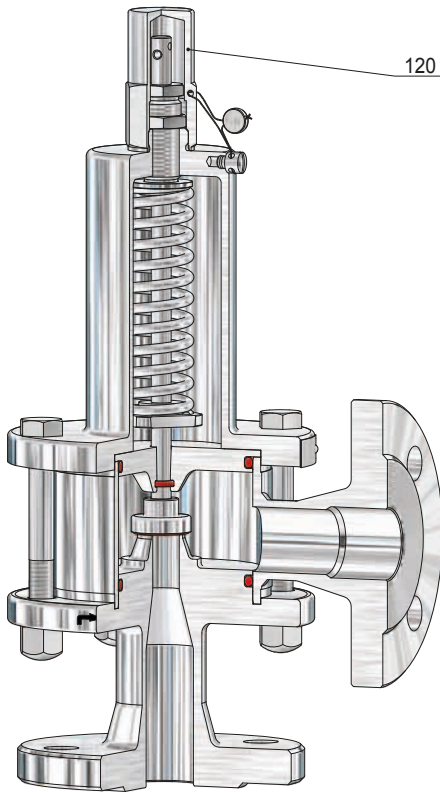
Size	Inlet					Outlet				Height 'H' for head			Set pressure		Weight ~ [kg]
	DN	NPS	PN / Class	do [mm]	SE [mm]	DN	NPS	PN / Class	SA [mm]	A [mm]	C [mm]	p min. [bar(g)]	p max. [bar(g)]		
I	15	1/2	16-40	12,5	90	15	1/2	16-40	90	320	305	0,1	16	6,6	
	20	3/4	150-300	12,5	95	20	3/4	150-300	95	325	310			6,9	
	25	1		16,0	100	25	1		100	330	315			7,1	
II	32	1 1/4	16-40	20	105	32	1 1/4	16-40	105	405	385	0,4	16	9,8	
	40	1 1/2	150-300	25	115	40	1 1/2	150-300	115	415	395			10,6	
III	50	2	16-40	32	125	50	2	16-40	125	465	445	0,12	16	13,5	
	65	2 1/2	150-300	40	145	65	2 1/2	150-300	145	485	465			0,15	15
IV	80	3	16-40 150-300	50	155	80	3	16-40 150-300	155	700	620	0,2	16	28,3	

other design on request

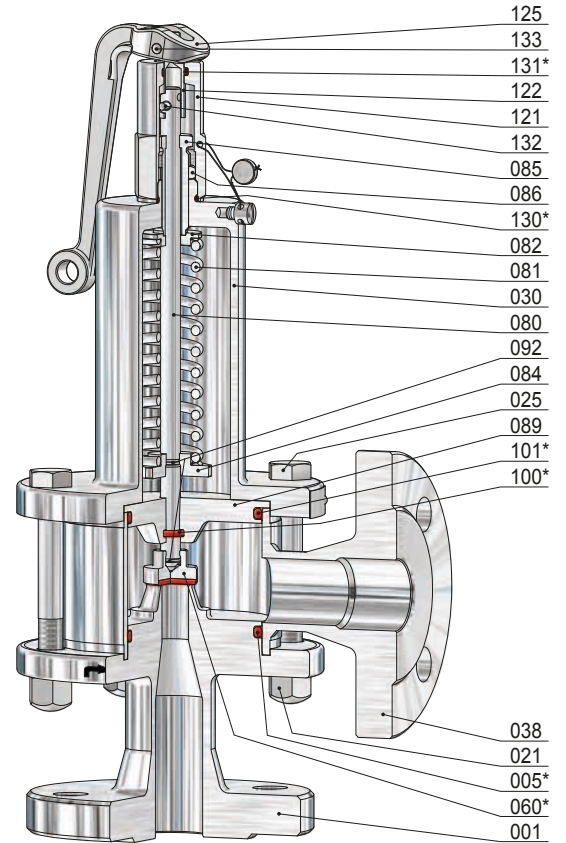
Relief-Valve, springloaded

for steam, gases and liquids in closed completion

Typ 35



Size I
head C



Size I
head A

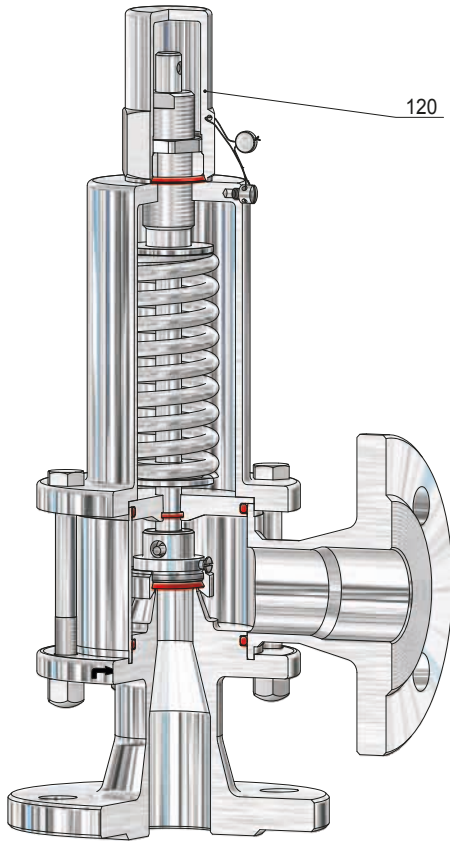
Item	Piece	Description	Item	Piece	Description
001	1	inlet body	089	1	guide plate
005 *	1	o-ring	092	2	lock ring
021	4	cap nut	100 *	1	o-ring
025	4	screw	101 *	1	o-ring
030	1	spring bonnet	120	1	cap
038	1	outlet body	121	1	lifting cap
060 *	1	disc, complete	122	1	coupling
560	1	disc	125	1	lifting button
062	1	soft sealing	130 *	1	o-ring
080	1	spindle	131 *	1	o-ring
081	1	spring	132	1	groove pin
082	1	springplate, upper	133	1	groove pin
084	1	springplate, lower			
085	1	adjusting screw			
086	1	lock nut			

* expendable parts

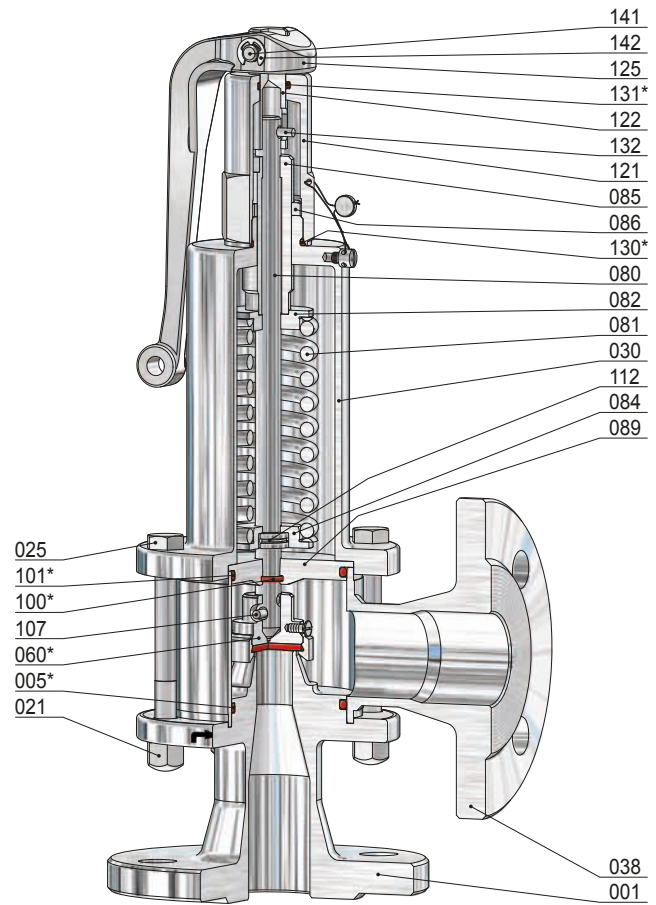
Relief-Valve, springloaded

for steam, gases and liquids in closed completion

Typ 35



Size II
head C



Size II
head A

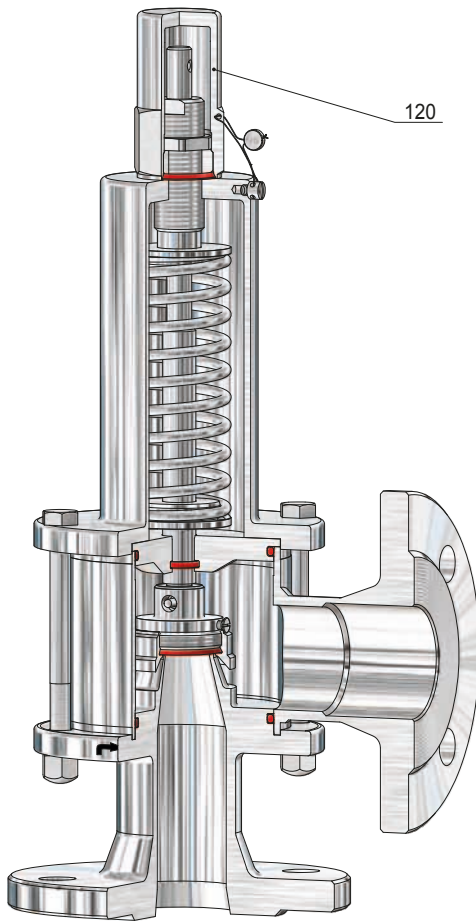
Item	Piece	Description	Item	Piece	Description
001	1	inlet body	086	1	lock nut
005 *	1	o-ring	089	1	guide plate
021	4	cap nut	100 *	1	o-ring
025	4	screw	101 *	1	o-ring
030	1	spring bonnet	107	1	spring pin
038	1	outlet body	112	1	split ring
060 *	1	disc, complete	120	1	cap
560	1	disc	121	1	lifting cap
062	1	soft sealing	122	1	coupling
063	1	disc ring	125	1	lifting button
067	1	security screw	130 *	1	o-ring
080	1	spindle	131 *	1	o-ring
081	1	spring	132	1	groove pin
082	1	springplate, upper	141	1	bolt
084	1	springplate, lower	142	2	stop washer
085	1	adjusting screw			

* expendable parts

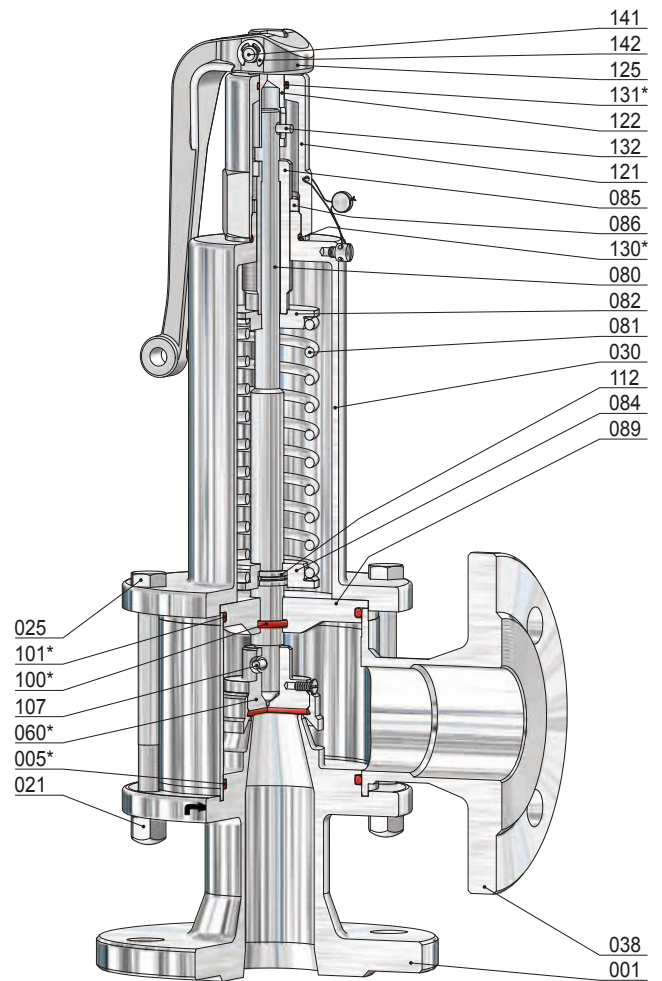
Relief-Valve, springloaded

for steam, gases and liquids in closed completion

Typ 35



Size III
head C



Size III
head A

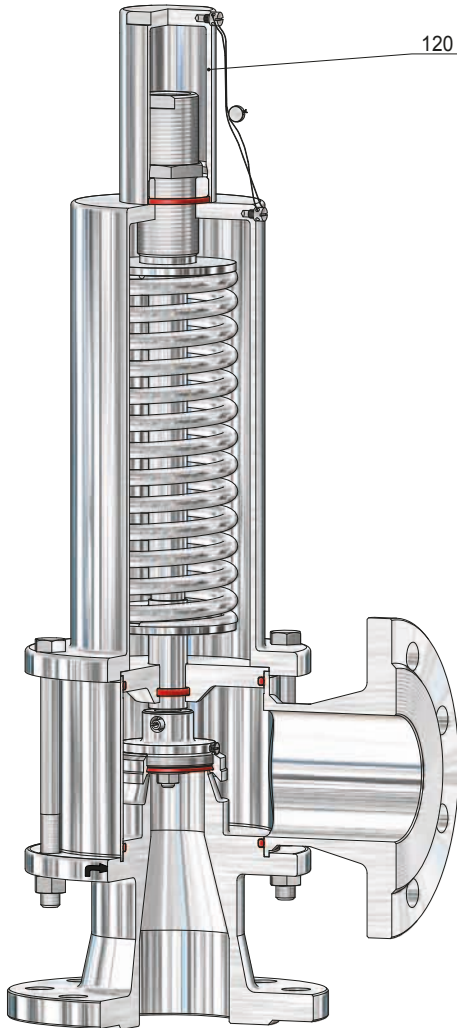
Item	Piece	Description	Item	Piece	Description
001	1	inlet body	086	1	lock nut
005 *	1	o-ring	089	1	guide plate
021	4	cap nut	100 *	1	o-ring
025	4	screw	101 *	1	o-ring
030	1	spring bonnet	107	1	spring pin
038	1	outlet body	112	1	split ring
060 *	1	disc, complete	120	1	cap
560	1	disc	121	1	lifting cap
062	1	soft sealing	122	1	coupling
063	1	disc ring	125	1	lifting button
067	1	security screw	130 *	1	o-ring
080	1	spindle	131 *	1	o-ring
081	1	spring	132	1	groove pin
082	1	springplate, upper	141	1	bolt
084	1	springplate, lower	142	2	stop washer
085	1	adjusting screw			

* expendable parts

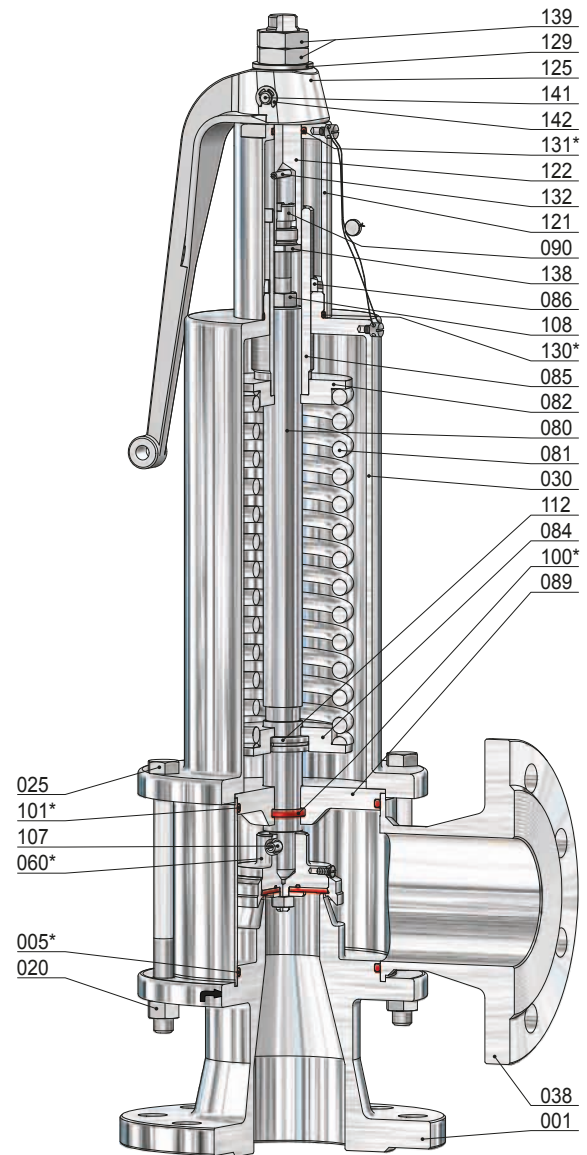
Relief-Valve, springloaded

for steam, gases and liquids in closed completion

Typ 35



Size IV
head C



Size IV
head A

Item	Piece	Description	Item	Piece	Description	Item	Piece	Description
001	1	inlet body	080	1	spindle	121	1	lifting cap
005 *	1	o-ring	081	1	spring	122	1	coupling
020	4	nut	082	1	springplate, upper	125	1	lifting button
025	4	screw	084	1	springplate, lower	129	1	pressure plate
030	1	spring bonnet	085	1	adjusting screw	130 *	1	o-ring
038	1	outlet body	086	1	lock nut	131 *	1	o-ring
060 *	1	disc, complete	089	1	guide plate	132	1	groove pin
560	1	disc	090	1	screw	138	1	screw
062	1	soft sealing	100 *	1	o-ring	139	2	nut
063	1	disc ring	101 *	1	o-ring	141	1	bolt
065	1	disc bolt	107	1	spring pin	142	2	stop washer
067	1	security screw	108	1	nut			
073	1	o-ring	112	1	split ring			
074	1	disc plate	120	1	cap			

* expendable parts